

 **BOEING**  
COMPONENT  
MAINTENANCE MANUAL

TO: ALL HOLDERS OF WING LE OUTBOARD SLAT NO. 4, 9 STRUCTURE ASSEMBLY  
COMPONENT MAINTENANCE MANUAL 57-43-55

REVISION NO. 21 DATED JUL 01/05

HIGHLIGHTS

Pages which have been added or revised are outlined below together with the highlights of the revision. Remove and insert the affected pages as listed and enter Revision No. and date on the Record of Revision Sheet.

CHAPTER/SECTION

AND PAGE NO.

DESCRIPTION OF CHANGE

CONTENTS

Updated the Table of Contents.

1

**57-43-55**

HIGHLIGHTS

01.1

Page 1

Jul 01/05

WING LEADING EDGE OUTBOARD SLAT NO. 4, 9  
STRUCTURE ASSEMBLY

PART NUMBERS 114T4104-13SP,-14SP,-21SP,-22SP,  
-23 THRU -26,-27SP,-28SP,  
-29,-30,-33,-34,-37SP,  
-38SP,-39 THRU -42,-45  
THRU -54,-57SP THRU  
-60SP,-401SP,-402SP,-403G  
-403P,-404G,-404P  
015T1507-401 THRU -422,-425  
THRU -482

COMPONENT MAINTENANCE MANUAL  
WITH  
ILLUSTRATED PARTS LIST

57-43-55

TITLE PAGE

Page 1

Nov 01/00

01.1

REVISION RECORD

- Retain this record in front of manual. On receipt of revision, insert revised pages in the manual, and enter revision number, date inserted and initial.

REVISION NUMBER	REVISION DATE	DATE FILED	BY	REVISION NUMBER	REVISION DATE	DATE FILED	BY

**57-43-55**

REVISION RECORD

01.1

Page 1

Jun 01/97

TEMPORARY REVISION AND SERVICE BULLETIN RECORD

BOEING SERVICE BULLETIN	BOEING TEMPORARY REVISION	OTHER DIRECTIVE	DATE OF INCORPORATION INTO MANUAL
		PRR A10503	JUL 10/83
		PRR A10503-2	JUL 10/83
		PRR A10514-2	JUL 10/83
		PRR A10514-3	JUL 10/83
		PRR A10515	JUL 10/83
		PRR A10517	JUL 10/83
		PRR A10519	JUL 10/83
		PRR A10522	JUL 10/83
		PRR A10525	JUL 10/83
		PRR A10530	JUL 10/83
		PRR B10374	JUL 10/83
		PRR B10663	JUL 10/83
		PRR A10529	JUL 10/84
		PRR A10509	JAN 10/85
		PRR B11577	JAN 10/87
		PRR C12050	JAN 10/87
		PRR B11974	APR 01/91
		PRR B12141	APR 01/91
		PRR B11714	APR 01/92
767-57A0039R2			JUN 01/95
767-32-0107			JUN 01/95
767-57A0057		PRR B12900-67	MAR 01/00
767-57A0057R1			JUN 01/97
767-57A0057R2			MAR 01/00
			MAR 01/00
		PRR B13103-2	MAR 01/00
		PRR B13113-1	MAR 01/00
		PRR B12797	MAR 01/00
		PRR B12628-2	NOV 01/00

**57-43-55**

TR & SB RECORD

01.1

Page 1

Nov 01/00

PAGE	DATE	CODE	PAGE	DATE	CODE
57-43-55			REPAIR-GENERAL		
TITLE PAGE			601	NOV 01/00	01.1
1	NOV 01/00	01.1	602	JUN 01/97	01.1
2	BLANK		603	JUN 01/97	01.1
REVISION RECORD			604	BLANK	
1	JUN 01/97	01.1	REPAIR 1-1		
2	BLANK		601	MAR 01/00	01.1
TR & SB RECORD			602	MAR 01/00	01.1
1	NOV 01/00	01.1	603	MAR 01/00	01.1
2	BLANK		604	MAR 01/00	01.1
LIST OF EFFECTIVE PAGES			605	MAR 01/00	01.1
*1	JUL 01/05	01	606	MAR 01/00	01.1
THRU LAST PAGE			REPAIR 2-1		
CONTENTS			601	MAR 01/00	01.1
*1	JUL 01/05	01.1	602	MAR 01/00	01.1
2	BLANK		603	MAR 01/00	01.1
INTRODUCTION			604	MAR 01/00	01.1
1	JUN 01/97	01.1	605	MAR 01/00	01.1
2	BLANK		606	MAR 01/00	01.1
DESCRIPTION & OPERATION			REPAIR 3-1		
1	JUN 01/97	01.1	601	JUN 01/97	01.1
2	BLANK		602	JUN 01/97	01.1
DISASSEMBLY			REPAIR 4-1		
301	JUN 01/97	01.1	601	JUN 01/97	01.1
302	BLANK		602	JUN 01/97	01.1
CLEANING			603	JUN 01/97	01.1
401	JUN 01/97	01.1	604	JUN 01/97	01.1
402	BLANK		605	JUN 01/97	01.1
CHECK			606	JUN 01/97	01.1
501	MAR 01/00	01.1	REPAIR 5-1		
502	BLANK		601	MAR 01/00	01.1
			602	BLANK	
			REPAIR 6-1		
			601	JUN 01/97	01.1
			602	JUN 01/97	01.1

\* = REVISED, ADDED OR DELETED

**57-43-55**

EFFECTIVE PAGES  
CONTINUED Page 1  
01 Jul 01/05

PAGE	DATE	CODE	PAGE	DATE	CODE
REPAIR 7-1			SPECIAL TOOLS		
601	MAR 01/00	01.1	901	JUN 01/97	01.1
602	MAR 01/00	01.1	902	BLANK	
REPAIR 8-1			ILLUSTRATED PARTS LIST		
601	MAR 01/00	01.1	1001	JUN 01/97	01.1
602	MAR 01/00	01.1	1002	NOV 01/01	01.1
603	MAR 01/00	01.1	1003	NOV 01/00	01.1
604	NOV 01/00	01.1	1004	NOV 01/00	01.1
605	MAR 01/00	01.1	1005	NOV 01/00	01.1
606	MAR 01/00	01.1	1006	NOV 01/00	01.1
607	MAR 01/00	01.1	1007	NOV 01/00	01.1
608	MAR 01/00	01.1	1008	NOV 01/00	01.1
609	NOV 01/00	01.1	1009	NOV 01/00	01.1
610	NOV 01/00	01.1	1010	NOV 01/00	01.1
611	NOV 01/00	01.1	1011	NOV 01/00	01.1
612	MAR 01/00	01.1	1012	NOV 01/00	01.1
REPAIR 10-1			1013	NOV 01/00	01.1
601	MAR 01/00	01.1	1014	NOV 01/00	01.1
602	MAR 01/98	01.1	1015	NOV 01/00	01.1
603	NOV 01/01	01.1	1016	NOV 01/00	01.1
604	MAR 01/98	01.1	1017	NOV 01/00	01.1
605	MAR 01/98	01.1	1018	NOV 01/00	01.1
606	JUN 01/97	01.1	1019	NOV 01/00	01.1
607	JUN 01/97	01.1	1020	NOV 01/00	01.1
608	JUN 01/97	01.1	1021	NOV 01/00	01.1
609	NOV 01/01	01.1	1022	NOV 01/00	01.1
610	NOV 01/01	01.1	1023	NOV 01/00	01.1
ASSEMBLY			1024	NOV 01/00	01.1
701	JUN 01/97	01.1	1025	NOV 01/00	01.1
702	JUN 01/97	01.1	1026	NOV 01/00	01.1
703	JUN 01/97	01.1	1027	NOV 01/00	01.1
704	BLANK		1028	NOV 01/00	01.1
FITS AND CLEARANCES			1029	NOV 01/00	01.1
801	JUN 01/97	01.1	1030	NOV 01/00	01.1
802	BLANK		1031	NOV 01/00	01.1
			1032	NOV 01/00	01.1
			1033	NOV 01/00	01.1
			1034	NOV 01/00	01.1
			1035	NOV 01/00	01.1
			1036	NOV 01/00	01.1
			1037	NOV 01/00	01.1
			1038	NOV 01/00	01.1

\* = REVISED, ADDED OR DELETED

# 57-43-55

EFFECTIVE PAGES  
 CONTINUED Page 2  
 01 Jul 01/05



**BOEING**  
COMPONENT  
MAINTENANCE MANUAL

PAGE	DATE	CODE	PAGE	DATE	CODE
ILLUSTRATED PARTS LIST		CONT.	ILLUSTRATED PARTS LIST		CONT.
1039	NOV 01/00	01.1	1042M	NOV 01/00	01.1
1040	NOV 01/00	01.1	1042N	NOV 01/00	01.1
1040A	NOV 01/00	01.1	1042O	NOV 01/00	01.1
1040B	NOV 01/00	01.1	1042P	NOV 01/00	01.1
1040C	NOV 01/00	01.1	1042Q	NOV 01/00	01.1
1040D	NOV 01/00	01.1	1042R	NOV 01/00	01.1
1040E	NOV 01/00	01.1	1042S	NOV 01/00	01.1
1040F	NOV 01/00	01.1	1042T	NOV 01/00	01.1
1040G	NOV 01/00	01.1	1042U	NOV 01/00	01.1
1040H	NOV 01/00	01.1	1042V	NOV 01/00	01.1
1040I	NOV 01/00	01.1	1042W	NOV 01/00	01.1
1040J	NOV 01/00	01.1	1042X	NOV 01/00	01.1
1040K	NOV 01/00	01.1	1042Y	NOV 01/00	01.1
1040L	NOV 01/00	01.1	1042Z	NOV 01/00	01.1
1040M	NOV 01/00	01.1	1043	NOV 01/00	01.1
1040N	NOV 01/00	01.1	1044	NOV 01/00	01.1
1040O	NOV 01/00	01.1	1044A	NOV 01/00	01.1
1040P	NOV 01/00	01.1	1044B	NOV 01/00	01.1
1040Q	NOV 01/00	01.1	1044C	NOV 01/00	01.1
1040R	NOV 01/00	01.1	1044D	NOV 01/00	01.1
1040S	NOV 01/00	01.1	1044E	NOV 01/00	01.1
1040T	NOV 01/00	01.1	1044F	NOV 01/00	01.1
1040U	NOV 01/00	01.1	1044G	NOV 01/00	01.1
1040V	NOV 01/00	01.1	1044H	NOV 01/00	01.1
1040W	NOV 01/00	01.1	1044I	NOV 01/00	01.1
1040X	NOV 01/00	01.1	1044J	NOV 01/00	01.1
1040Y	NOV 01/00	01.1	1044K	NOV 01/00	01.1
1040Z	NOV 01/00	01.1	1044L	NOV 01/00	01.1
1041	NOV 01/00	01.1	1044M	NOV 01/00	01.1
1042	NOV 01/00	01.1	1044N	NOV 01/00	01.1
1042A	NOV 01/00	01.1	1044O	NOV 01/00	01.1
1042B	NOV 01/00	01.1	1044P	NOV 01/00	01.1
1042C	NOV 01/00	01.1	1044Q	NOV 01/01	01.101
1042D	NOV 01/00	01.1	1044R	NOV 01/00	01.1
1042E	NOV 01/00	01.1	1044S	NOV 01/00	01.1
1042F	NOV 01/00	01.1	1044T	NOV 01/00	01.1
1042G	NOV 01/00	01.1	1044U	NOV 01/00	01.1
1042H	NOV 01/00	01.1	1044V	NOV 01/00	01.1
1042I	NOV 01/00	01.1	1044W	NOV 01/00	01.1
1042J	NOV 01/00	01.1	1044X	NOV 01/00	01.1
1042K	NOV 01/00	01.1	1044Y	NOV 01/00	01.1
1042L	NOV 01/00	01.1	1044Z	NOV 01/00	01.1

\* = REVISED, ADDED OR DELETED

**57-43-55**

EFFECTIVE PAGES  
CONTINUED Page 3  
01 Jul 01/05

PAGE	DATE	CODE	PAGE	DATE	CODE
ILLUSTRATED PARTS LIST		CONT.	ILLUSTRATED PARTS LIST		CONT.
1045	NOV 01/00	01.1	1048M	NOV 01/00	01.1
1046	NOV 01/00	01.1	1048N	NOV 01/00	01.1
1046A	NOV 01/00	01.1	1048O	NOV 01/00	01.1
1046B	NOV 01/00	01.1	1048P	NOV 01/00	01.1
1046C	NOV 01/00	01.1	1048Q	NOV 01/00	01.1
1046D	NOV 01/00	01.1	1048R	NOV 01/00	01.1
1046E	NOV 01/00	01.1	1048S	NOV 01/00	01.1
1046F	NOV 01/00	01.1	1048T	NOV 01/00	01.1
1046G	NOV 01/00	01.1	1048U	NOV 01/00	01.1
1046H	NOV 01/00	01.1	1048V	NOV 01/00	01.1
1046I	NOV 01/00	01.1	1048W	NOV 01/00	01.1
1046J	NOV 01/00	01.1	1048X	NOV 01/00	01.1
1046K	NOV 01/00	01.1	1048Y	NOV 01/00	01.1
1046L	NOV 01/00	01.1	1048Z	NOV 01/00	01.1
1046M	NOV 01/00	01.1	1049	NOV 01/00	01.1
1046N	NOV 01/00	01.1	1050	NOV 01/00	01.1
1046O	NOV 01/00	01.1	1050A	NOV 01/00	01.1
1046P	NOV 01/00	01.1	1050B	NOV 01/00	01.1
1046Q	NOV 01/00	01.1	1050C	NOV 01/00	01.1
1046R	NOV 01/00	01.1	1050D	NOV 01/00	01.1
1046S	NOV 01/00	01.1	1050E	NOV 01/00	01.1
1046T	NOV 01/00	01.1	1050F	NOV 01/00	01.1
1046U	NOV 01/00	01.1	1050G	NOV 01/00	01.1
1046V	NOV 01/00	01.1	1050H	NOV 01/00	01.1
1046W	NOV 01/00	01.1	1050I	NOV 01/00	01.1
1046X	NOV 01/00	01.1	1050J	NOV 01/00	01.1
1046Y	NOV 01/00	01.1	1050K	NOV 01/00	01.1
1046Z	NOV 01/00	01.1	1050L	NOV 01/00	01.1
1047	NOV 01/00	01.1	1050M	NOV 01/00	01.1
1048	NOV 01/00	01.1	1050N	NOV 01/00	01.1
1048A	NOV 01/00	01.1	1050O	NOV 01/00	01.1
1048B	NOV 01/00	01.1	1050P	NOV 01/00	01.1
1048C	NOV 01/00	01.1	1050Q	NOV 01/00	01.1
1048D	NOV 01/00	01.1	1050R	NOV 01/00	01.1
1048E	NOV 01/00	01.1	1050S	NOV 01/00	01.1
1048F	NOV 01/00	01.1	1050T	NOV 01/00	01.1
1048G	NOV 01/00	01.1	1050U	NOV 01/00	01.1
1048H	NOV 01/00	01.1	1050V	NOV 01/00	01.1
1048I	NOV 01/00	01.1	1050W	NOV 01/01	01.101
1048J	NOV 01/00	01.1	1050X	NOV 01/00	01.1
1048K	NOV 01/00	01.1	1050Y	NOV 01/00	01.1
1048L	NOV 01/00	01.1	1050Z	NOV 01/00	01.1

\* = REVISED, ADDED OR DELETED

# 57-43-55

EFFECTIVE PAGES  
 CONTINUED Page 4  
 01 Jul 01/05





**BOEING**  
COMPONENT  
MAINTENANCE MANUAL

PAGE	DATE	CODE	PAGE	DATE	CODE
ILLUSTRATED PARTS LIST		CONT.	ILLUSTRATED PARTS LIST		CONT.
1051	NOV 01/00	01.1	1054M	NOV 01/00	01.1
1052	NOV 01/00	01.1	1054N	NOV 01/00	01.1
1052A	NOV 01/00	01.1	1054O	NOV 01/00	01.1
1052B	NOV 01/00	01.1	1054P	NOV 01/00	01.1
1052C	NOV 01/00	01.1	1054Q	NOV 01/00	01.1
1052D	NOV 01/00	01.1	1054R	NOV 01/00	01.1
1052E	NOV 01/00	01.1	1054S	NOV 01/00	01.1
1052F	NOV 01/00	01.1	1054T	NOV 01/00	01.1
1052G	NOV 01/00	01.1	1054U	NOV 01/00	01.1
1052H	NOV 01/00	01.1	1054V	NOV 01/00	01.1
1052I	NOV 01/00	01.1	1054W	NOV 01/00	01.1
1052J	NOV 01/00	01.1	1054X	NOV 01/00	01.1
1052K	NOV 01/00	01.1	1054Y	NOV 01/00	01.1
1052L	NOV 01/00	01.1	1054Z	NOV 01/00	01.1
1052M	NOV 01/00	01.1	1055	NOV 01/00	01.1
1052N	NOV 01/00	01.1	1056	NOV 01/00	01.1
1052O	NOV 01/00	01.1	1056A	NOV 01/00	01.1
1052P	NOV 01/00	01.1	1056B	NOV 01/00	01.1
1052Q	NOV 01/00	01.1	1056C	NOV 01/00	01.1
1052R	NOV 01/00	01.1	1056D	NOV 01/00	01.1
1052S	NOV 01/00	01.1	1056E	NOV 01/00	01.1
1052T	NOV 01/00	01.1	1056F	NOV 01/00	01.1
1052U	NOV 01/00	01.1	1056G	NOV 01/00	01.1
1052V	NOV 01/00	01.1	1056H	NOV 01/00	01.1
1052W	NOV 01/00	01.1	1056I	NOV 01/00	01.1
1052X	NOV 01/00	01.1	1056J	BLANK	
1052Y	NOV 01/00	01.1	1056K	NOV 01/00	01.1
1052Z	NOV 01/00	01.1	1056L	NOV 01/00	01.1
1053	NOV 01/00	01.1	1056M	NOV 01/00	01.1
1054	NOV 01/00	01.1	1056N	NOV 01/00	01.1
1054A	NOV 01/00	01.1	1056O	NOV 01/00	01.1
1054B	NOV 01/00	01.1	1056P	NOV 01/00	01.1
1054C	NOV 01/00	01.1	1056Q	NOV 01/00	01.1
1054D	NOV 01/00	01.1	1056R	NOV 01/00	01.1
1054E	NOV 01/00	01.1	1056S	NOV 01/00	01.1
1054F	NOV 01/00	01.1	1056T	NOV 01/00	01.1
1054G	NOV 01/00	01.1	1056U	NOV 01/00	01.1
1054H	NOV 01/00	01.1	1056V	NOV 01/00	01.1
1054I	NOV 01/00	01.1	1056W	NOV 01/00	01.1
1054J	NOV 01/00	01.1	1056X	NOV 01/00	01.1
1054K	NOV 01/00	01.1	1056Y	NOV 01/00	01.1
1054L	NOV 01/00	01.1	1056Z	NOV 01/00	01.1

\* = REVISED, ADDED OR DELETED

**57-43-55**

EFFECTIVE PAGES  
CONTINUED Page 5  
01 Jul 01/05

PAGE	DATE	CODE	PAGE	DATE	CODE
ILLUSTRATED PARTS LIST		CONT.	ILLUSTRATED PARTS LIST		CONT.
1057	NOV 01/00	01.1	1060M	NOV 01/00	01.1
1058	NOV 01/00	01.1	1060N	NOV 01/00	01.1
1058A	NOV 01/00	01.1	1060O	NOV 01/00	01.1
1058B	NOV 01/00	01.1	1060P	NOV 01/00	01.1
1058C	NOV 01/00	01.1	1060Q	NOV 01/00	01.1
1058D	NOV 01/00	01.1	1060R	NOV 01/00	01.1
1058E	NOV 01/00	01.1	1060S	NOV 01/00	01.1
1058F	NOV 01/00	01.1	1060T	NOV 01/00	01.1
1058G	NOV 01/01	01.1	1060U	NOV 01/00	01.1
1058H	NOV 01/00	01.1	1060V	NOV 01/00	01.1
1058I	NOV 01/00	01.1	1060W	NOV 01/00	01.1
1058J	NOV 01/00	01.1	1060X	NOV 01/00	01.1
1058K	NOV 01/00	01.1	1060Y	NOV 01/00	01.1
1058L	NOV 01/01	01.1	1060Z	NOV 01/00	01.1
1058M	NOV 01/00	01.1	1061	NOV 01/00	01.1
1058N	NOV 01/00	01.1	1062	NOV 01/00	01.1
1058O	NOV 01/00	01.1	1062A	NOV 01/00	01.1
1058P	NOV 01/00	01.1	1062B	NOV 01/00	01.1
1058Q	NOV 01/00	01.1	1062C	NOV 01/00	01.1
1058R	NOV 01/00	01.1	1062D	NOV 01/00	01.1
1058S	NOV 01/00	01.1	1062E	NOV 01/00	01.1
1058T	NOV 01/00	01.1	1062F	NOV 01/00	01.1
1058U	NOV 01/00	01.1	1062G	NOV 01/00	01.1
1058V	NOV 01/00	01.1	1062H	NOV 01/00	01.1
1058W	NOV 01/00	01.1	1062I	NOV 01/00	01.1
1058X	NOV 01/00	01.1	1062J	NOV 01/00	01.1
1058Y	NOV 01/00	01.1	1062K	NOV 01/00	01.1
1058Z	NOV 01/00	01.1	1062L	NOV 01/00	01.1
1059	NOV 01/00	01.1	1062M	NOV 01/00	01.1
1060	NOV 01/00	01.1	1062N	NOV 01/00	01.1
1060A	NOV 01/00	01.1	1062O	NOV 01/00	01.1
1060B	NOV 01/00	01.1	1062P	NOV 01/00	01.1
1060C	NOV 01/00	01.1	1062Q	NOV 01/00	01.1
1060D	NOV 01/00	01.1	1062R	NOV 01/00	01.1
1060E	NOV 01/00	01.1	1062S	NOV 01/00	01.1
1060F	NOV 01/00	01.1	1062T	NOV 01/00	01.1
1060G	NOV 01/00	01.1	1062U	NOV 01/00	01.1
1060H	NOV 01/00	01.1	1062V	NOV 01/00	01.1
1060I	NOV 01/00	01.1	1062W	NOV 01/00	01.1
1060J	NOV 01/00	01.1	1062X	NOV 01/00	01.1
1060K	NOV 01/00	01.1	1062Y	NOV 01/00	01.1
1060L	NOV 01/00	01.1	1062Z	NOV 01/00	01.1

\* = REVISED, ADDED OR DELETED

# 57-43-55

EFFECTIVE PAGES  
 CONTINUED Page 6  
 01 Jul 01/05

PAGE	DATE	CODE	PAGE	DATE	CODE
ILLUSTRATED PARTS LIST		CONT.			
1063	NOV 01/00	01.1			
1064	NOV 01/00	01.1			
1064A	NOV 01/00	01.1			
1064B	NOV 01/00	01.1			
1064C	NOV 01/00	01.1			
1064D	NOV 01/00	01.1			
1064E	NOV 01/00	01.1			
1064F	NOV 01/00	01.1			
1064G	NOV 01/00	01.1			
1064H	NOV 01/00	01.1			
1064I	NOV 01/00	01.1			
1064J	NOV 01/00	01.1			
1064K	NOV 01/00	01.1			
1064L	NOV 01/00	01.1			
1064M	NOV 01/00	01.1			
1064N	NOV 01/00	01.1			
1064O	NOV 01/00	01.1			
1064P	NOV 01/00	01.1			
1064Q	NOV 01/00	01.1			
1064R	NOV 01/00	01.1			
1064S	NOV 01/00	01.1			
1064T	NOV 01/00	01.1			

\* = REVISED, ADDED OR DELETED

**57-43-55**

EFFECTIVE PAGES  
LAST PAGE Page 7  
01 Jul 01/05

TABLE OF CONTENTS

<u>Paragraph Title</u>	<u>Page</u>
Description and Operation . . . . .	1
Testing and Trouble Shooting (not applicable)	
Disassembly. . . . .	301
Cleaning . . . . .	401
Check. . . . .	501
Repair . . . . .	601
Assembly . . . . .	701
Fits and Clearances. . . . .	801
Special Tools . . . . .	901
Illustrated Parts List . . . . .	1001

## INTRODUCTION

The instructions in this manual provide the information necessary to perform maintenance functions ranging from simple checks and replacement to complete shop-type repair.

This manual is divided into separate sections:

- |                                                     |                              |
|-----------------------------------------------------|------------------------------|
| 1. Title Page                                       | 4. List of Effective Pages   |
| 2. Record of Revisions                              | 5. Table of Contents         |
| 3. Temporary Revisions &<br>Service Bulletin Record | 6. Introduction              |
|                                                     | 7. Procedures & IPL Sections |

Refer to the Table of Contents for the page location of applicable sections. An asterisked flagnote \*[ ] in place of the page number indicates that no special instructions are provided since the function can be performed using standard industry practices.

The beginning of the REPAIR section includes a list of the separate repairs, a list of applicable standard Boeing practices, and an explanation of the True Position Dimensioning symbols used.

An explanation of the use of the Illustrated Parts List is provided in the Introduction to that section.

All weights and measurements used in the manual are in English units, unless otherwise stated. When metric equivalents are given they will be in parentheses following the English units.

Design changes, optional parts, configuration differences and Service Bulletin modifications create alternate part numbers. These are identified in the Illustrated Parts List (IPL) by adding an alphabetical character to the basic item number. The resulting item number is called an alpha-variant. Throughout the manual, IPL basic item number references also apply to alpha-variants unless otherwise indicated.

**57-43-55**

INTRODUCTION

01.1

Page 1

Jun 01/97

WING LEADING EDGE OUTBOARD SLAT NO. 4 AND NO. 9 STRUCTURE ASSEMBLY

DESCRIPTION AND OPERATION

1. Description

A. The wing leading edge outboard slat structure assembly consists of seal installations, panel assemblies, rib assemblies, a nose beam assembly and a trailing edge wedge assembly.

2. Operation

A. The wing leading edge outboard slat No. 4 and No. 9 structure is a moveable auxiliary airfoil attached to the wing leading edge. The slat moves in coordination with the flaps. When the slat is not activated; it forms part of the normal contour of the wing. When the slat is activated, the basic airfoil shape of the wing is changed. The change in airfoil shape causes a change in the pressure distribution over the wing which results in increased lift.

3. Leading Particulars (Approx)

Length -- 151 inches  
Width -- 24 inches  
Thickness -- 7.3 inches  
Weight -- 104 pounds (each)

**57-43-55**

DESCRIPTION & OPERATION

01.1

Page 1

Jun 01/97

DISASSEMBLY

NOTE: Disassemble this component only as necessary to complete fault isolation, determine the servicability of parts, perform required repairs, and restore the unit to servicable condition.

1. Use standard industry practices for disassembly of this component.

CLEANING

CAUTION: DO NOT VAPOR DEGREASE GRAPHITE/ARAMID EPOXY STRUCTURES WITH CHLORINATED CLEANING AGENT SUCH AS METHYLENE CHLORIDE, TRICHLOROETHYLENE, AND TRICHLOROETHANE. CHLORINATED CLEANING AGENTS WILL CAUSE DAMAGE TO GRAPHITE/ARAMID EPOXY STRUCTURES.

1,1,1-TRICHLOROETHANE IS ONE OF THE SOLVENTS ALLOWED FOR CLEANING COMPOSITE COMPONENTS. DO NOT SUBMERGE PARTS IN THE SOLVENT OR ALLOW STANDING SOLVENT ON THE PARTS OR DAMAGE MAY OCCUR. USE 1,1,1,-TRICHLOROETHANE ONLY AS A WIPE SOLVENT.

1. Clean all parts in accordance with standard industry practices (Ref 20-30-03) except for graphite/aramid epoxy structures.

57-43-55

01.1  
CLEANING  
Page 401  
Jun 01/97



CHECK

1. Examine all parts for defects by standard industry practices. Do the magnetic particle check and penetrant check only if the visual check finds possible defects.
2. Do a visual check of the honeycomb and the bonded parts for signs of delamination, internal water, scratches, and contour defects.
  - A. If you see delamination or impact damage, do an ultrasonic inspection or do a tap test to find all of the damage.

NOTE: For the tap test, use a solid metal disk and tap the surface area lightly but firmly. A dull sound indicates a void area. A sharp ringing sound indicates a solid bonded area. Refer to the 767 Nondestructive Test Manual, Part 1, 51-05-01.
  - B. For areas that you suspect contain water, examine them radiographically or by thermography as shown in the 767 Nondestructive Test Manual, Part 9, 51-00-01.
3. Refer to 767 Structural Repair Manual, 57-43-00, for allowable damage data.
4. Penetrant check per SOPM 20-20-02 -- Ribs (542, 542A, 544, 544A, 584, 584A, 586, 586A, 628, 630, 632, 634, 692, 696, 698, IPL Fig. 2), arms (712, 714, 716, 718, 732, 734, 736, 738, IPL Fig. 2) and ribs (408, 410, 448, 450, 488, 490, 528, 530, 570, 572, 612, 614, 772, 774, 812, 814, IPL Fig. 3; 414, 414A, 416, 416A, 454, 454A, 456, 456A, 500, 500A, 502, 502A, 546, 546A, 548, 548A, 714, 714A, 716, 716A, 754, 754A, 756, 756A).

**57-43-55**

CHECK

01.1

Page 501

Mar 01/00

REPAIR – GENERAL

1. Content

A. Repair, refinish and replacement procedures are included in separate repair sections as follows:

<u>P/N</u>	<u>NAME</u>	<u>REPAIR</u>
114T4606	ACTUATOR RIB ASSEMBLY	1-1
114T4607	ACTUATOR RIB ASSEMBLY	2-1
114T4406 114T4407	MAIN TRACK RIB ASSEMBLY	3-1
114T4140 114T4506 114T4507 114T4510	AUXILIARY ARM AND RIB ASSEMBLY	4-1
114T4606 114T4607	DELETED	5-1
114T4406 114T4407	MAIN TRACK RIB ASSEMBLY	6-1
114T4518 114T4519	AUXILIARY RIB ASSEMBLY	7-1
--	MISCELLANEOUS PARTS REFINISH	8-1
114T4180	DELETED	9-1, 9-2
114T4104	OUTBOARD SLAT STRUCTURE ASSEMBLY NO. 4 AND 9	10-1

2. Standard Practices

A. Refer to the following standard practices, as applicable for details of procedures in individual repairs.

- 20-30-03 General Cleaning Procedures
- 20-41-01 Decoding Table For Boeing Finish Codes
- 20-41-02 Application of Chemical and Solvent Resistant Finishes
- 20-43-01 Chromic Acid Anodizing
- 20-43-03 Chemical Conversion Coatings for Aluminum
- 20-50-03 Bushing Installation and Retention
- 20-60-02 Finishing Materials
- 20-60-04 Miscellaneous Materials

**57-43-55**

REPAIR-GENERAL

01.1

Page 601

Nov 01/00

### 3. Materials

NOTE: Equivalent substitutes can be used.

- A. Primer -- BMS 10-11, Type 1 (Ref 20-60-02)
- B. Sealant -- BMS 5-95, Class B (Ref 20-60-04)
- C. Enamel -- BMS 10-60 Gloss, BAC707 gray (Ref 20-60-02)

### 4. Dimensioning Symbols

- A. Standard True Positioning Dimensioning Symbols used in applicable Repair procedures are shown in Fig. 601.

**57-43-55**

REPAIR-GENERAL

01.1

Page 602

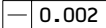
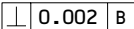
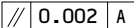
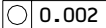
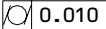
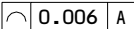
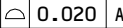
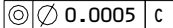
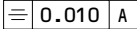
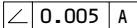
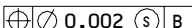
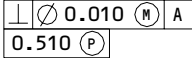

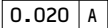
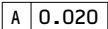
Jun 01/97

**BOEING**  
COMPONENT  
MAINTENANCE MANUAL

- STRAIGHTNESS
- ▭ FLATNESS
- ⊥ PERPENDICULARITY (OR SQUARENESS)
- // PARALLELISM
- ROUNDNESS
- ⊘ CYLINDRICITY
- ⌒ PROFILE OF A LINE
- △ PROFILE OF A SURFACE
- ◎ CONCENTRICITY
- ≡ SYMMETRY
- ∠ ANGULARITY
- ↗ RUNOUT
- ↗ TOTAL RUNOUT
- ⊓ COUNTERBORE OR SPOTFACE
- ∇ COUNTERSINK

- ⊕ THEORETICAL EXACT POSITION OF A FEATURE (TRUE POSITION)
- ∅ DIAMETER
- S ∅ SPHERICAL DIAMETER
- R RADIUS
- SR SPHERICAL RADIUS
- ( ) REFERENCE
- BASIC (BSC) OR A THEORETICALLY EXACT DIMENSION USED TO DESCRIBE SIZE, SHAPE OR LOCATION OF A FEATURE FROM WHICH PERMISSIBLE VARIATIONS ARE ESTABLISHED BY TOLERANCES ON OTHER DIMENSIONS OR NOTES.
- DIM
- A- DATUM
- Ⓜ MAXIMUM MATERIAL CONDITION (MMC)
- Ⓛ LEAST MATERIAL CONDITION (LMC)
- Ⓢ REGARDLESS OF FEATURE SIZE (RFS)
- Ⓟ PROJECTED TOLERANCE ZONE
- FIM FULL INDICATOR MOVEMENT

**EXAMPLES**

<p> STRAIGHT WITHIN 0.002</p> <p> PERPENDICULAR TO B WITHIN 0.002</p> <p> PARALLEL TO A WITHIN 0.002</p> <p> ROUND WITHIN 0.002</p> <p> CYLINDRICAL SURFACE MUST LIE BETWEEN TWO CONCENTRIC CYLINDERS, ONE OF WHICH HAS A RADIUS 0.010 INCH GREATER THAN THE OTHER</p> <p> EACH LINE ELEMENT OF THE SURFACE AT ANY CROSS SECTION MUST LIE BETWEEN TWO PROFILE BOUNDARIES 0.006 INCH APART RELATIVE TO DATUM PLANE A</p> <p> SURFACES MUST LIE WITHIN PARALLEL BOUNDARIES 0.02 INCH APART AND EQUALLY DISPOSED ABOUT TRUE PROFILE</p>	<p> CONCENTRIC TO C WITHIN 0.0005 DIAMETER</p> <p> SYMMETRICAL WITH A WITHIN 0.010</p> <p> ANGULAR TOLERANCE 0.005 WITH A</p> <p> LOCATED AT TRUE POSITION WITHIN 0.002 DIA RELATIVE TO DATUM B, REGARDLESS OF FEATURE SIZE</p> <p> AXIS IS TOTALLY WITHIN A CYLINDER OF 0.010-INCH DIAMETER, PERPENDICULAR TO, AND EXTENDING 0.510-INCH ABOVE, DATUM A, MAXIMUM MATERIAL CONDITION</p> <p> THEORETICALLY EXACT DIMENSION IS 2.000</p> <p>OR 2.000 BSC</p> <p> 0.020 A</p> <p> A 0.020</p>
<p><b>NOTE:</b> DATUM MAY APPEAR AT EITHER SIDE OF TOLERANCE FRAME</p>	

True Position Dimensioning Symbols  
Figure 601

**57-43-55**

REPAIR-GENERAL

01.1

Page 603

Jun 01/97

ACTUATOR RIB ASSEMBLY – REPAIR 1-1

114T4606-13, -14, -21 -22, -25, -26, -401, -402

NOTE: Refer to REPAIR-GEN for a list of applicable standard practices.

1. Bushing Replacement

- A. Remove the bushings (394, 396, IPL Fig. 3; 400, 402, IPL Fig. 4)
- B. For the rib (414B, 416B, IPL Fig. 4), check the hole for damage or corrosion and, if necessary, repair it as specified in 2.A.
- C. If repair of the rib (414B, 416B, IPL Fig. 4) was necessary, then make an oversize replacement bushing (400A, 402A, IPL Fig. 4) as shown in Fig. 602 or 603.
- D. Install the bushings per 20-50-03 with wet BMS 5-95 sealant.
- E. Machine the bushings per Fig. 601.
- F. Fillet seal bushing flanges with BMS 5-95 sealant.

2. Rib Repair

- A. Repair the hole for bushing (400B, 402B, IPL Fig. 4).
  - (1) Machine the worn or damaged hole in the rib (414B, 416B, IPL Fig. 4) if necessary, to remove defects, cracks, and/or corrosion, up to the limit shown in Fig. 601.
  - (2) Do a penetrant check of the machined hole as specified by SOPM 20-20-02.

**57-43-55**

REPAIR 1-1

01.1

Page 601

Mar 01/00

(3) Refinish the rib as specified in 3.A.

3. Refinish

- A. Rib (408, 410, IPL Fig. 3; 414, 416, IPL Fig. 4) -- Anodize (F-17.04) or (F-17.31) and apply one layer of BMS 10-11, type 1 primer (F-20.02), except do not apply primer in the holes for the bushings. Optional: For bushing holes and touchup of small areas of bare metal, apply colored chemical coating (F-17.10) instead of anodize. Material: Al alloy.
- B. Shim (406, IPL Fig. 3; 412, IPL Fig. 4) -- Treat surface, colored coating. Apply one coat of BMS 10-11, type 1 primer (F-18.06). Optional: Manual application of colored coating (F-17.10) and apply one coat of BMS 10-11, type 1 primer (F-20.02).

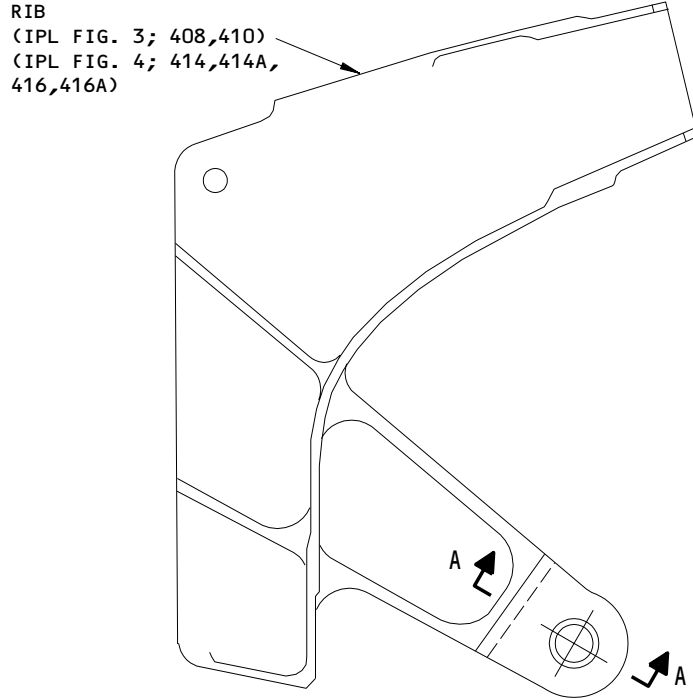
**57-43-55**

REPAIR 1-1

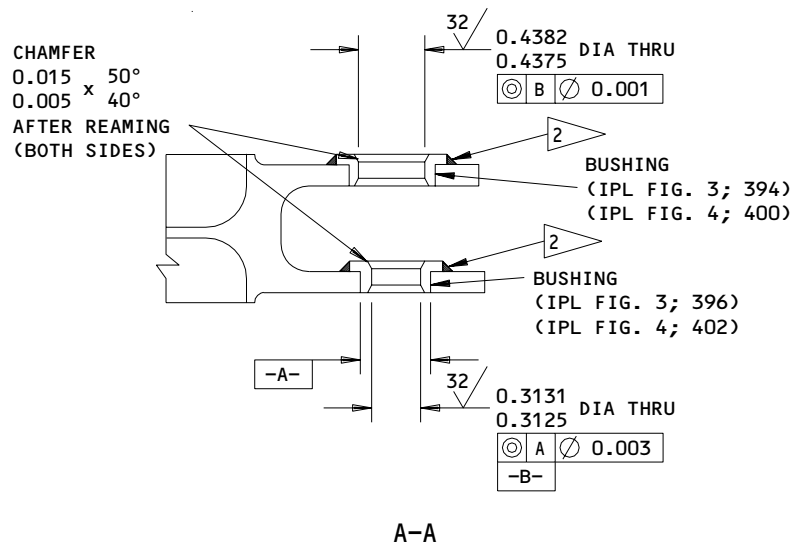
01.1

Page 602

Mar 01/00



114T4606-13,-14,-21,-22,-25,-26



114T4606-13,-14,-21,-22,-25,-26,-401,-402  
Bushings Replacement  
Figure 601 (Sheet 1)

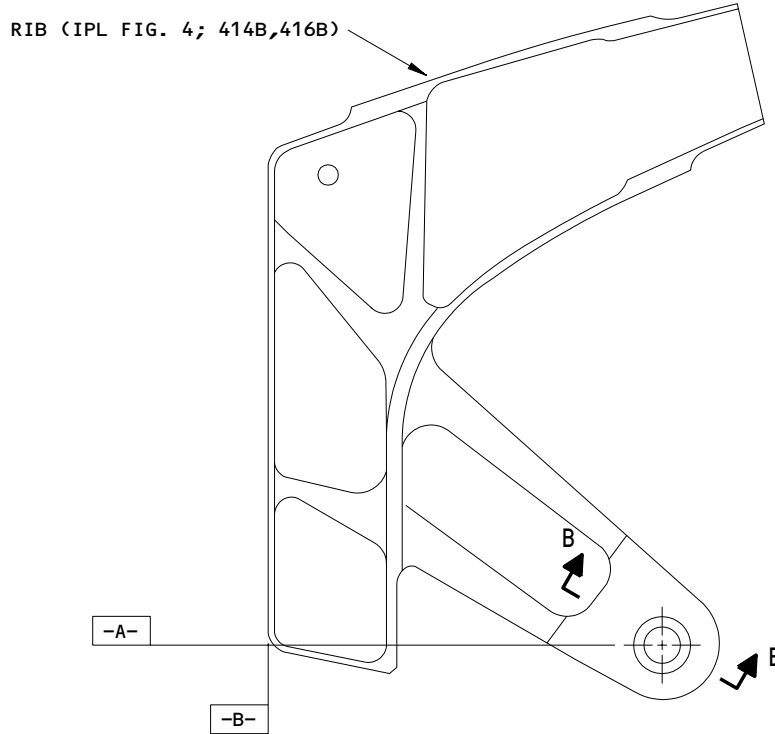
**57-43-55**

REPAIR 1-1

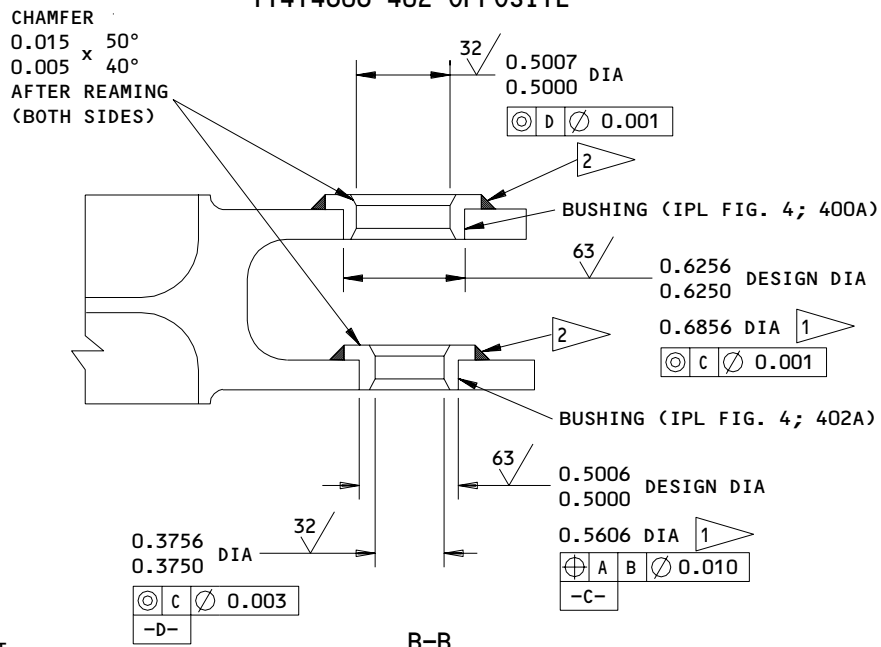
Page 603

Mar 01/00

01.1



114T4606-401 SHOWN  
 114T4606-402 OPPOSITE



- 1 REPAIR LIMIT
- 2 FILLET SEAL WITH BMS 5-95 SEALANT

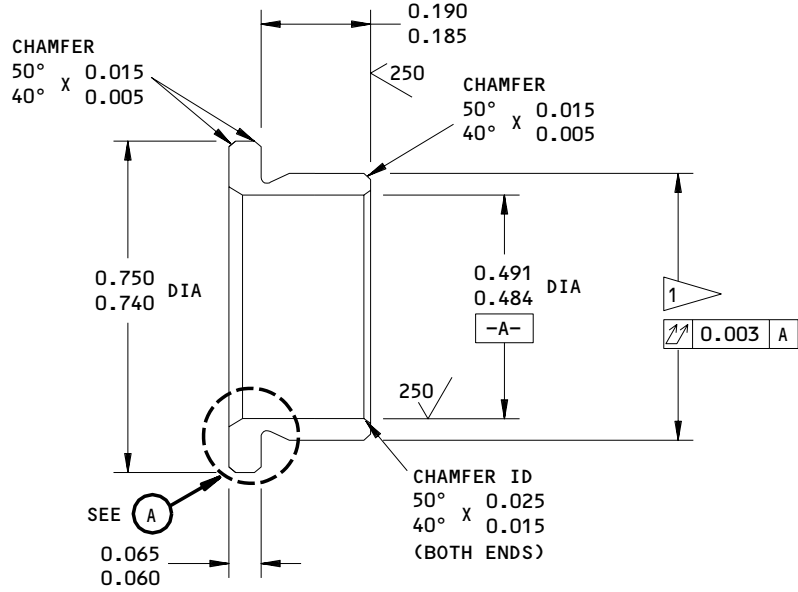
114T4606-13,-14,-21,-22,-25,-26,-401,-402  
 Bushing Replacement  
 Figure 601 (Sheet 2)

**57-43-55**

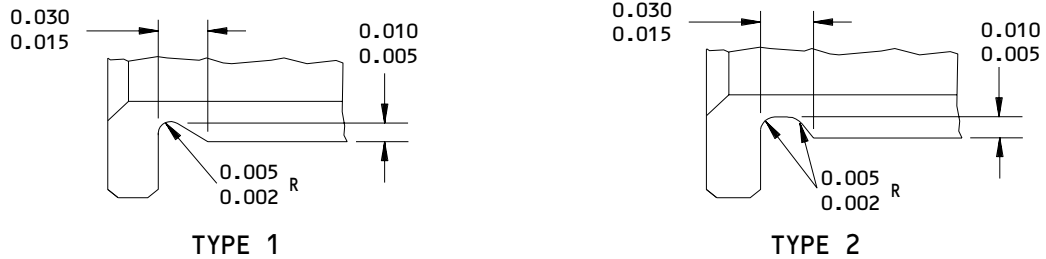
REPAIR 1-1  
 Page 604  
 Mar 01/00

01.1





OVERSIZE REPLACEMENT FOR BUSHING (400A)



UNDERCUT TYPE 1 OR TYPE 2 OPTIONAL

(A)

1 FINAL BUSHING OUTSIDE DIAMETER EQUALS REPAIR DIAMETER OF FITTING PLUS 0.0005-0.0016 INTERFERENCE

63 ALL MACHINED SURFACES UNLESS SHOWN DIFFERENTLY

MATERIAL: ALUMINUM-NICKEL-BRONZE PER AMS 4640  
HEAT TREAT - HR50 OR TQ50 PER AMS 4640

FINISH: CADMIUM PLATE OR ZINC-NICKEL PLATE

DIMENSIONS APPLY AFTER PLATING

ITEM NUMBERS REFER TO IPL FIG. 4

ALL DIMENSIONS ARE IN INCHES

Oversize Bushing Details  
Figure 602

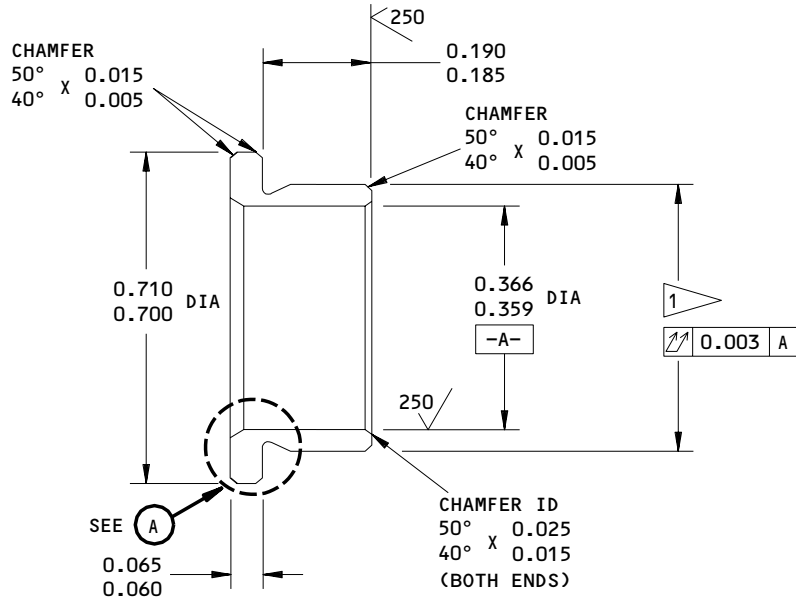
57-43-55

REPAIR 1-1

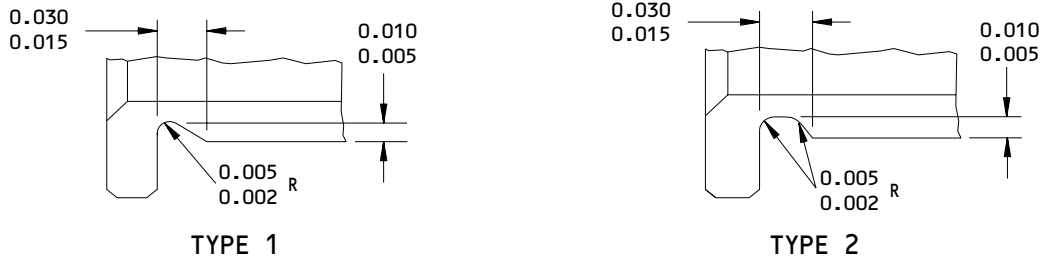
01.1

Page 605

Mar 01/00



**OVERSIZE REPLACEMENT FOR BUSHING (402A)**



**TYPE 1**

**TYPE 2**

**UNDERCUT TYPE 1 OR TYPE 2 OPTIONAL**

**A**

**1** FINAL BUSHING OUTSIDE DIAMETER EQUALS REPAIR DIAMETER OF FITTING PLUS 0.0004-0.0015 INTERFERENCE

**63** ALL MACHINED SURFACES UNLESS SHOWN DIFFERENTLY

MATERIAL: 15-5PH OR 17-4PH CRES, 180-200 KSI

FINISH: CADMIUM OR ZINC-NICKEL PLATE

DIMENSIONS APPLY AFTER PLATING

ITEM NUMBERS REFER TO IPL FIG. 4

ALL DIMENSIONS ARE IN INCHES

**Oversize Bushing Details**  
**Figure 603**

**57-43-55**

REPAIR 1-1

01.1

Page 606

Mar 01/00

ACTUATOR RIB ASSEMBLY – REPAIR 2-1

114T4607-13, -14, -21, -22, -25, -26, -401, -402

**NOTE:** Refer to REPAIR – GENERAL for a list of applicable standard practices.

1. Bushing Replacement

- A. Remove the bushings (434, 436, IPL Fig. 3; 440, 442, IPL Fig. 4)
- B. For the rib (454B, 456B, IPL Fig. 4), check the hole for damage or corrosion and, if necessary, repair it as specified in 2.A.
- C. If repair of the rib (454B, 456B, IPL Fig. 4) was necessary, then make an oversize replacement bushing (440A, 442A, IPL Fig. 4) as shown in Fig. 602 or 603.
- D. Install the bushings per 20-50-03 with wet BMS 5-95 sealant.
- E. Machine the bushings per Fig. 601.
- F. Fillet seal bushing flanges with BMS 5-95 sealant.

2. Rib Repair

- A. Repair the hole for bushing (440B, 442B, IPL Fig. 4).
  - (1) Machine the worn or damaged hole in the rib (454B, 456B, IPL Fig. 4) if necessary, to remove defects, cracks, and/or corrosion, up the limit shown in Fig. 601.
  - (2) Do a penetrant check of the machined hole as specified by SOPM 20-20-02.

**57-43-55**

REPAIR 2-1

01.1

Page 601

Mar 01/00

(3) Refinish the rib as specified in 3.A.

3. Refinish

- A. Rib (448, 450, IPL Fig. 3; 454, 456, IPL Fig. 4) -- Anodize (F-17.04) or (F-17.31) and apply one layer of BMS 10-11, type 1 primer (F-20.02), except do not apply primer in the holes for the bushings. Optional: For bushing holes and touchup of small areas of bare metal, apply colored chemical coating (F-17.10) instead of anodize. Material: Al alloy.
- B. Shim (446, IPL Fig. 3; 452, IPL Fig. 4) -- Treat surface, colored coating. Apply one coat of BMS 10-11, type 1 primer (F-18.06). Optional: Manual application of colored coating (F-17.10) and apply one coat of BMS 10-11, type 1 primer (F-20.02).

**57-43-55**

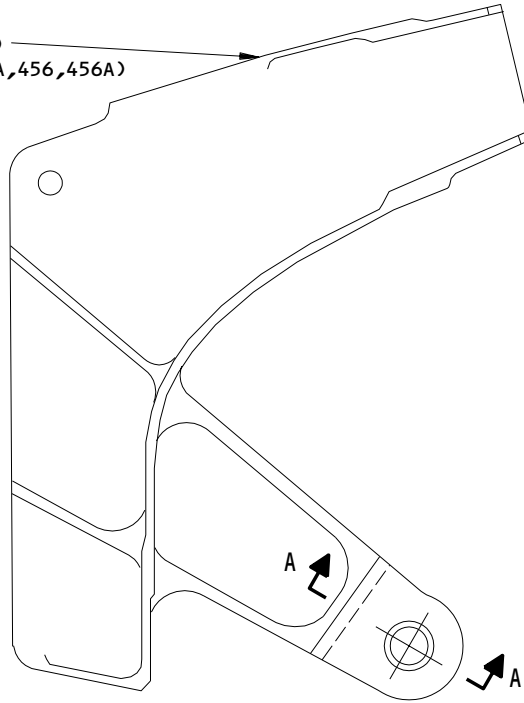
REPAIR 2-1

01.1

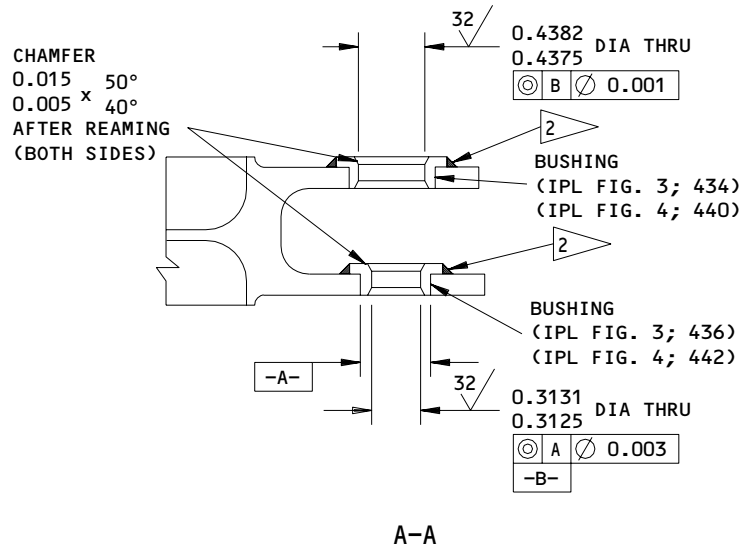
Page 602

Mar 01/00

RIB  
(IPL FIG. 3; 448,450)  
(IPL FIG. 4; 454,454A,456,456A)



114T4607-13,-14,-21,-22,-25,-26

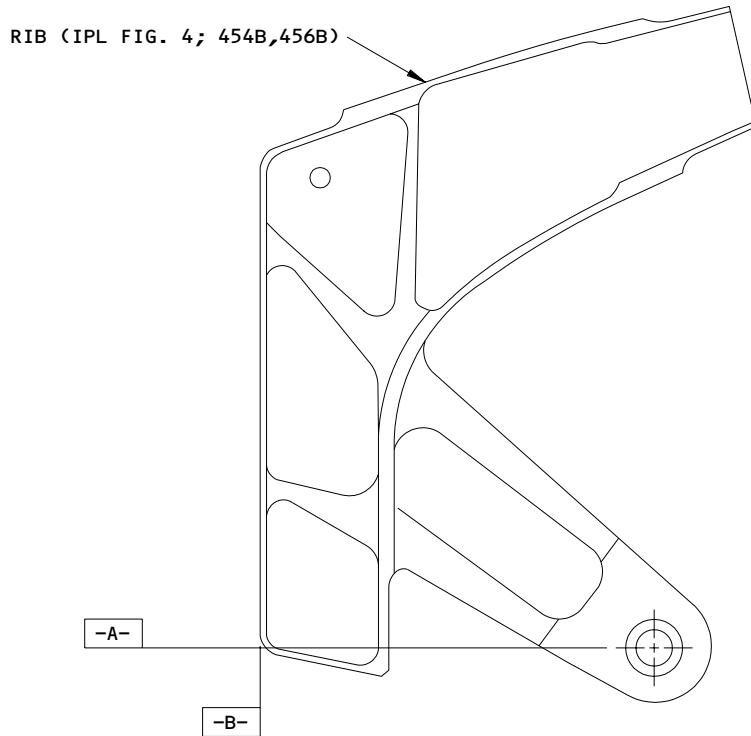


114T4607-13,-14,-21,-22,-25,-26,-401,-402  
Bushings Replacement  
Figure 601 (Sheet 1)

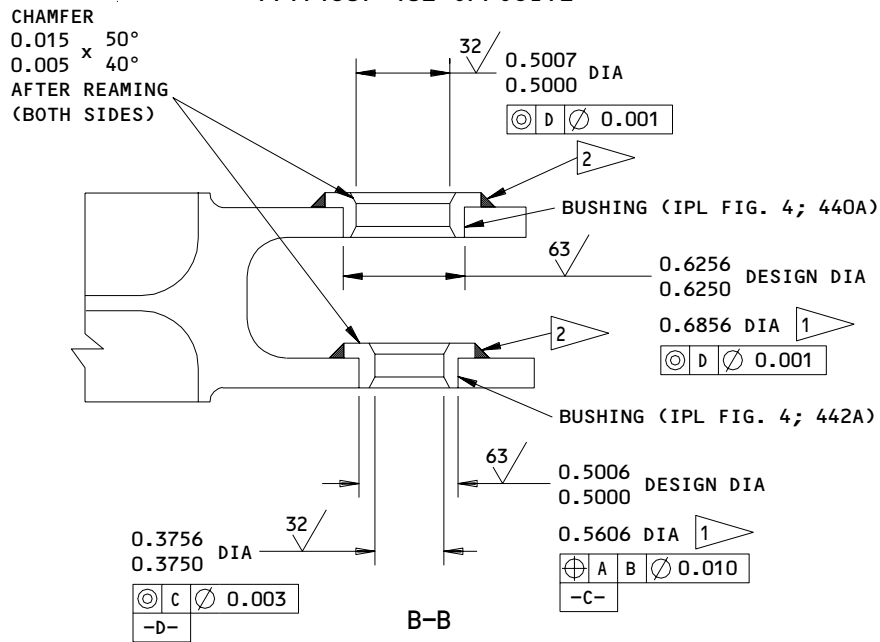
**57-43-55**

REPAIR 2-1  
Page 603  
Mar 01/00

01.1



114T4607-401 SHOWN  
 114T4607-402 OPPOSITE



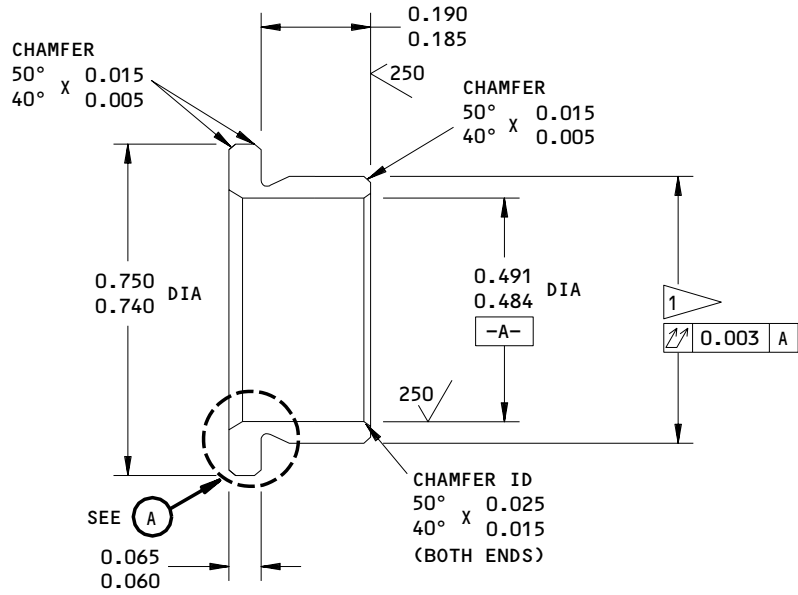
- 1 REPAIR LIMIT
- 2 FILLET SEAL WITH BMS 5-95 SEALANT

114T4607-13,-14,-21,-22,-25,-26,-401,-402  
 Bushing Replacement  
 Figure 601 (Sheet 2)

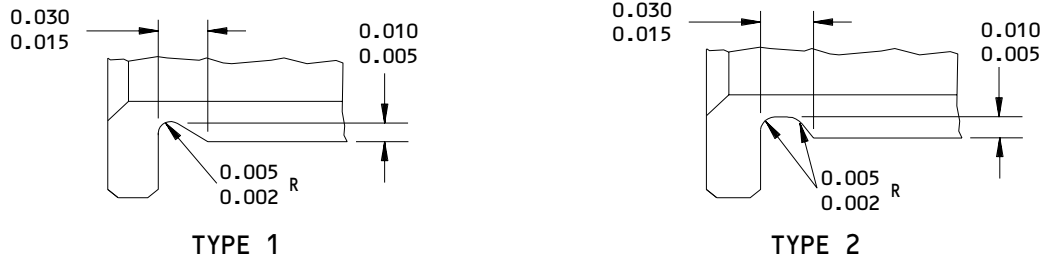
**57-43-55**

REPAIR 2-1  
 Page 604  
 Mar 01/00

01.1



OVERSIZE REPLACEMENT FOR BUSHING (440A)



UNDERCUT TYPE 1 OR TYPE 2 OPTIONAL

(A)

1 FINAL BUSHING OUTSIDE DIAMETER EQUALS REPAIR DIAMETER OF FITTING PLUS 0.0005-0.0016 INTERFERENCE

63 ALL MACHINED SURFACES UNLESS SHOWN DIFFERENTLY

MATERIAL: ALUMINUM-NICKEL-BRONZE PER AMS 4640  
HEAT TREAT - HR50 OR TQ50 PER AMS 4640

FINISH: CADMIUM PLATE OR ZINC-NICKEL PLATE

DIMENSIONS APPLY AFTER PLATING

ITEM NUMBERS REFER TO IPL FIG. 4

ALL DIMENSIONS ARE IN INCHES

Oversize Bushing Details  
Figure 602

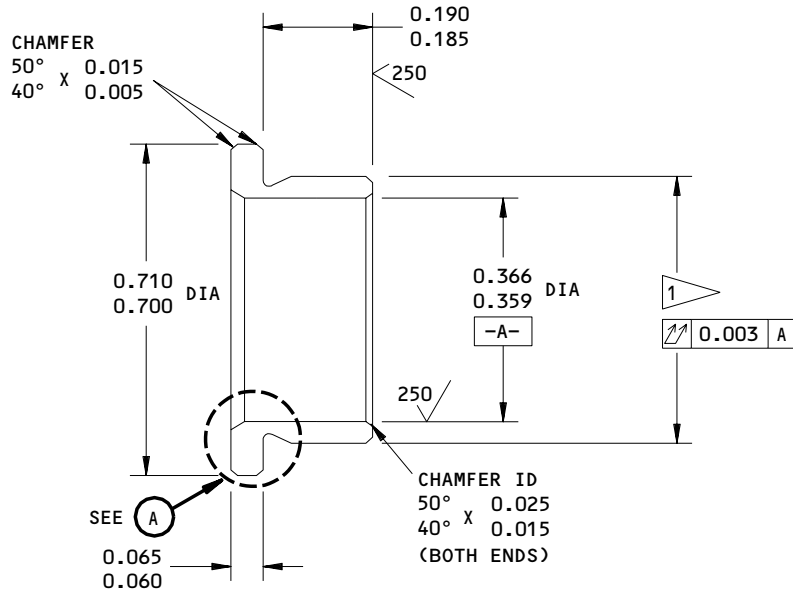
57-43-55

REPAIR 2-1

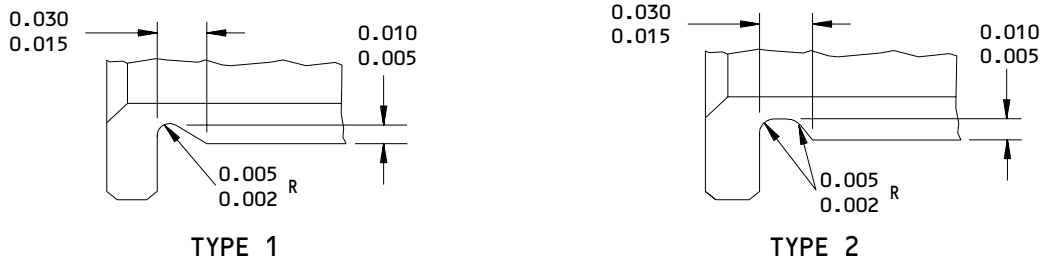
Page 605

Mar 01/00

01.1



**OVERSIZE REPLACEMENT FOR BUSHING (442A)**



**UNDERCUT TYPE 1 OR TYPE 2 OPTIONAL**



**1** FINAL BUSHING OUTSIDE DIAMETER EQUALS REPAIR DIAMETER OF FITTING PLUS 0.0004-0.0015 INTERFERENCE

**63** ALL MACHINED SURFACES UNLESS SHOWN DIFFERENTLY

MATERIAL: 15-5PH OR 17-4PH CRES, 180-200 KSI  
 FINISH: CADMIUM OR ZINC-NICKEL PLATE  
 DIMENSIONS APPLY AFTER PLATING  
 ALL DIMENSIONS ARE IN INCHES  
 ITEM NUMBERS REFER TO IPL FIG. 4

**Oversize Bushing Details**  
**Figure 603**

**57-43-55**

REPAIR 2-1  
 Page 606  
 Mar 01/00

01.1



MAIN TRACK RIB ASSEMBLY – REPAIR 3-1

114T4406-9, -10, -13, -14

114T4407-9, -10, -13, -14

NOTE: Refer to REPAIR-GEN for a list of applicable standard practices.

NOTE: Rib assemblies reworked.

1. Bushing Replacement

- A. Remove bushings (BACB28AP09P022, BACB28AM13B0234)
- B. Install bushings per 20-50-03 with wet BMS 5-95 sealant.
- C. Machine bushings per Fig. 601.
- D. Fillet seal bushing flanges with BMS 5-95 sealant.

2. Refinish

- A. Rib (114T4406-11, -12, -15, -16; 114T4407-11, -12, -15, -16) -- Chromic acid anodize, type 1 and apply one coat of BMS 10-11, type 1 primer (F-18.13) except no primer in bushing installation holes.  
Material: Al alloy.
- B. Shim (NAS1195DD3KH) -- Treat surface, colored coating. Apply one coat of BMS 10-11, type 1 primer (F-18.06).

**57-43-55**

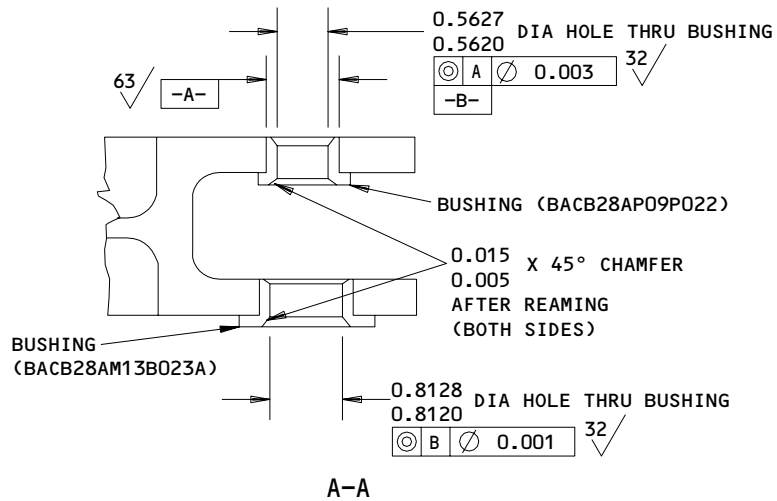
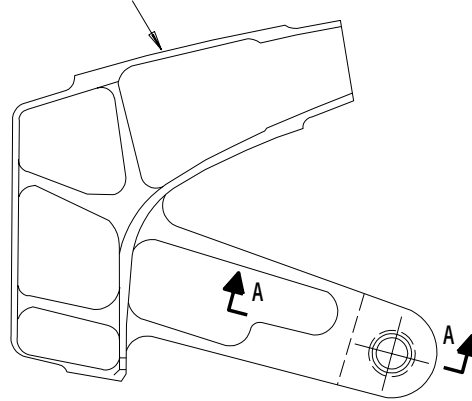
REPAIR 3-1

01.1

Page 601

Jun 01/97

RIB (114T4406-11,-12,-15,-16;  
 114T4407-11,-12,-15,-16)



ALL DIMENSIONS ARE IN INCHES

114T4407-9,-10,-13,-14  
 114T4406-9,-10,-13,-14  
 Bushing Replacement  
 Figure 601

**57-43-55**

REPAIR 3-1

Page 602

Jun 01/97

01.1

AUXILIARY ARM AND RIB ASSEMBLY – REPAIR 4-1

114T4140-129, -130, -131, -132, -137, -138, -139, -140  
114T4506-5, -6  
114T4507-5, -6  
114T4510-33, -34, -35, -36

NOTE: Refer to REPAIR-GEN for list of applicable standard practices.

1. Bushing Replacement (IPL Fig. 2)

A. Auxiliary Arm Assembly (700, 702, 704, 706, 720, 722, 724, 726)

- (1) Remove bushings (708, 710, 728, 730).
- (2) Install bushings per 20-50-03 with wet BMS 5-95 sealant.
- (3) Remove excess sealant with a clean cloth dampened with solvent.
- (4) Machine bushings per Fig. 601 and 602.

B. Rib Assembly (682, 684, 686, 688)

- (1) Remove bushing (690).
- (2) Install bushing per 20-50-03 with set BMS 5-95 sealant.
- (3) Remove excess sealant with a clean cloth dampened with solvent.
- (4) Machine bushing per Fig. 603.

C. Auxiliary Arm and Rib Assembly (636, 638, 640, 642)

- (1) Remove bushings (676, 678).
- (2) Apply colored chemical coating manually by brush, swab or spray (F-17.10) to bushing installation holes.
- (3) Install bushings per 20-50-03.
- (4) Machine bushings per Fig. 604.
- (5) After machining, chamfer bushing ID ends 0.005-0.015 inch per 45°.
- (6) Fill gap between rub plate (666) and bushing flanges with BMS 5-95 sealant.

**57-43-55**

REPAIR 4-1

01.1

Page 601

Jun 01/97

2. Refinish

- A. Arm (712, 714, 716, 718, 732, 734, 736, 738) -- Chromic acid anodize, type 1 and apply one coat of BMS 10-11, type 1 primer (F-18.13). No finish required in bushing installation holes. Material: Al alloy.
- B. Rib (692, 694, 696, 698) -- Chromic acid anodize, type 1 and apply one coat of BMS 10-11, type 1 primer (F-18.13). Chromic acid anodize, type 1 only in bushing installation hole (F-17.04) or optional manual application of color chemical coating only in bushing installation hole (F-17.10). Material: Al alloy.

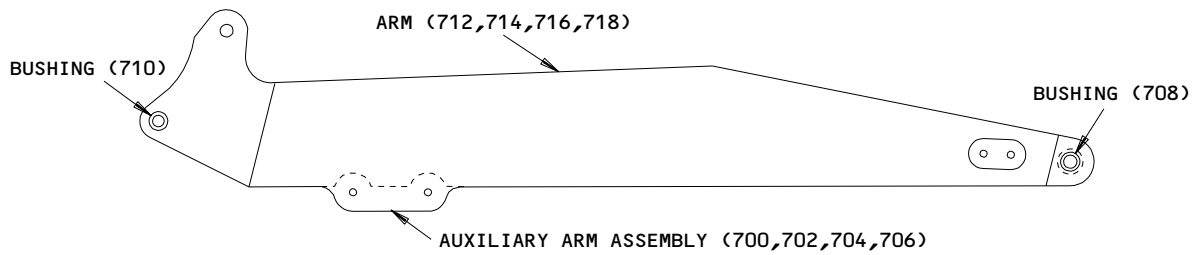
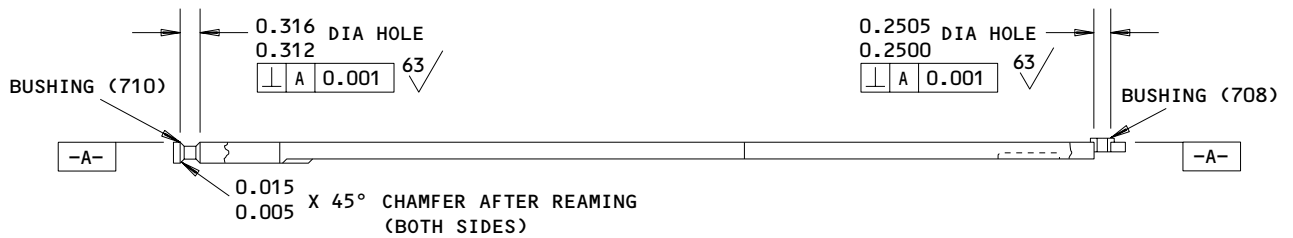
**57-43-55**

REPAIR 4-1

01.1

Page 602

Jun 01/97



TOLERANCE: ANGLE  $\pm 1/4^\circ$

ITEM NUMBERS REFER TO IPL FIG. 2  
ALL DIMENSIONS ARE IN INCHES

Bushing Replacement  
Figure 601

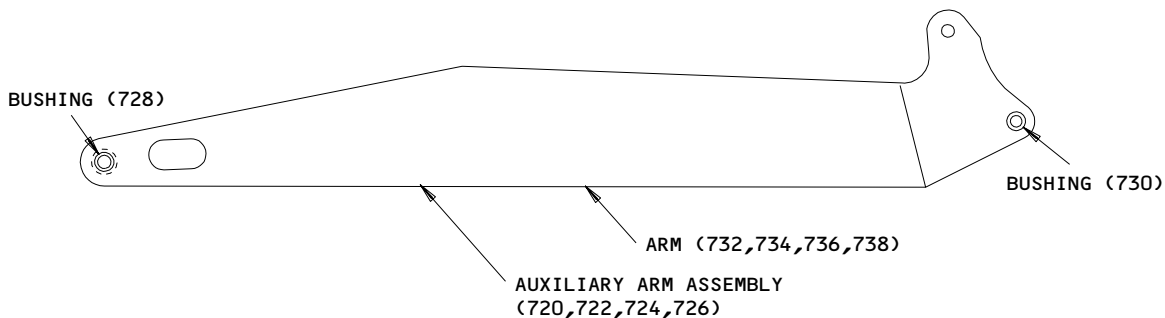
**57-43-55**

REPAIR 4-1

Page 603

Jun 01/97

01.1



TOLERANCE: ANGLE  $\pm 1/4^\circ$

ITEM NUMBERS REFER TO IPL FIG. 2

ALL DIMENSIONS ARE IN INCHES

Bushing Replacement  
 Figure 602

**57-43-55**

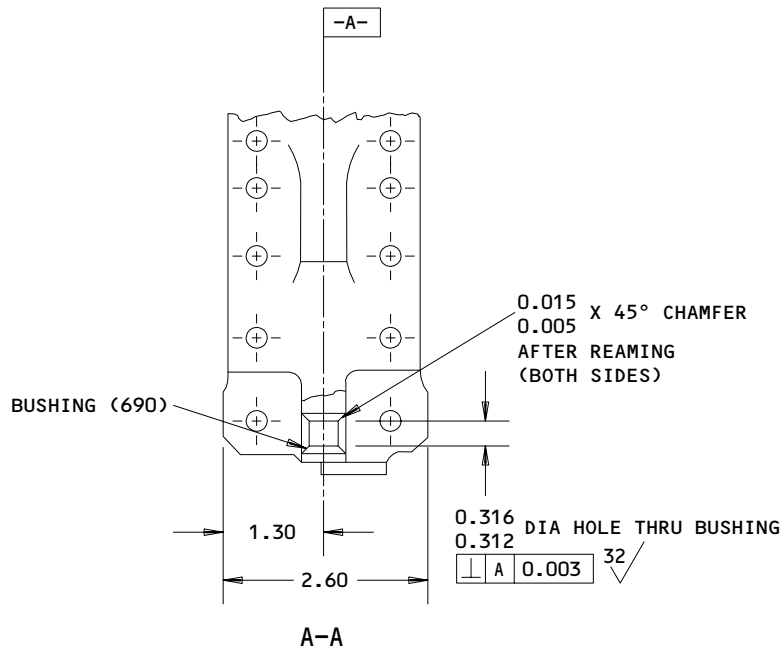
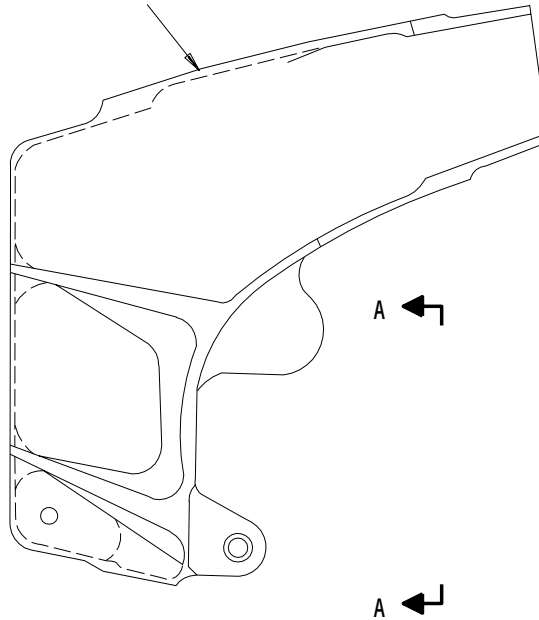
REPAIR 4-1

Page 604

Jun 01/97

01.1

RIB (692,694,696,698)



TOLERANCE: ANGLE  $\pm 1/4^\circ$ , DECIMAL  $\pm 0.02$

ITEM NUMBERS REFER TO IPL FIG. 2  
ALL DIMENSIONS ARE IN INCHES

Bushing Replacement  
Figure 603

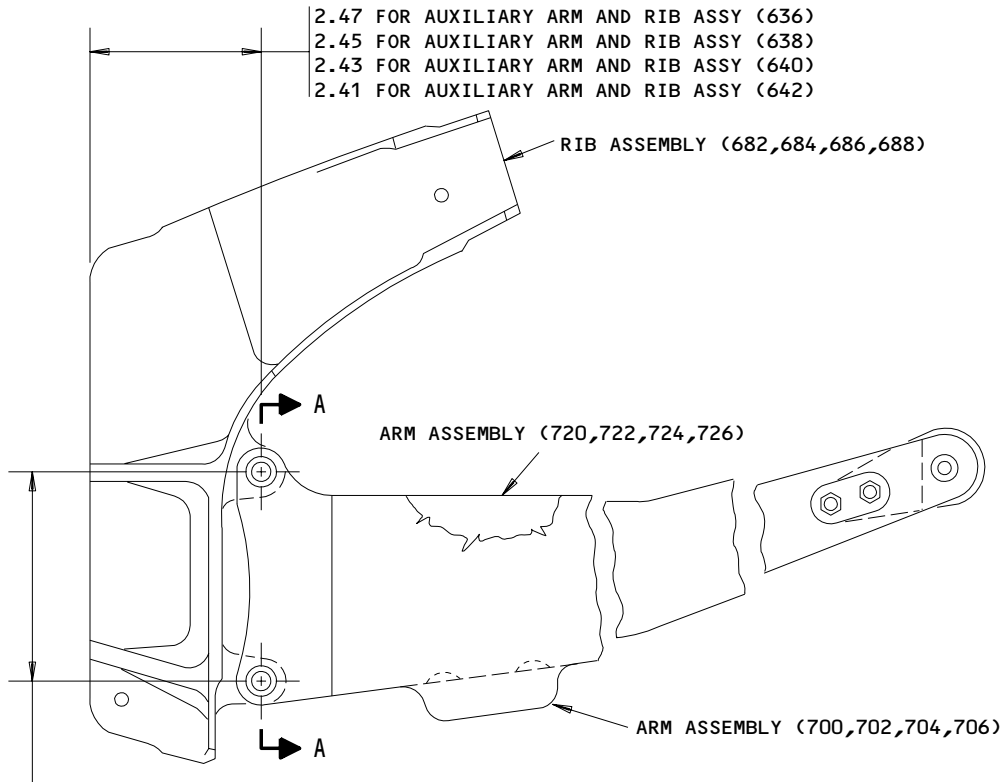
**57-43-55**

REPAIR 4-1

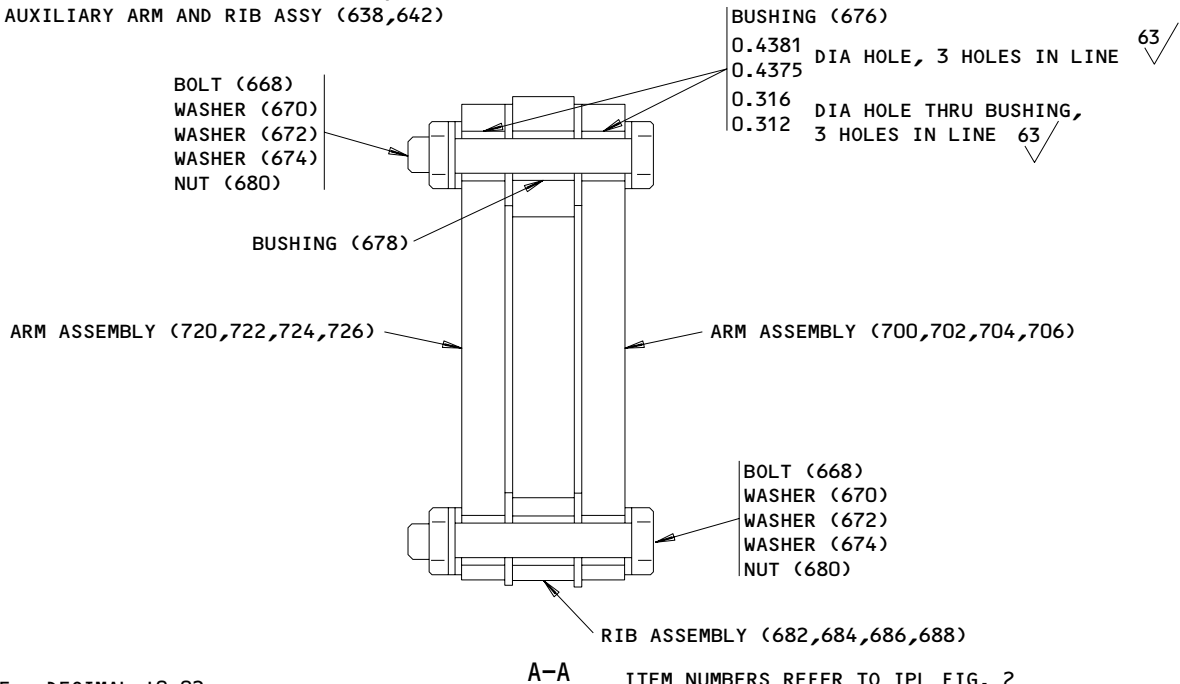
Page 605

Jun 01/97

01.1



3.21 FOR AUXILIARY ARM AND RIB ASSY (636,640)  
 3.19 FOR AUXILIARY ARM AND RIB ASSY (638,642)



TOLERANCE: DECIMAL ±0.02

ITEM NUMBERS REFER TO IPL FIG. 2  
 ALL DIMENSIONS ARE IN INCHES

**Bushing Replacement**  
**Figure 604**

**57-43-55**

REPAIR 4-1

Page 606

Jun 01/97

01.1



015T1507  
114T4104



|

REPAIR 5-1 - DELETED

**57-43-55**

REPAIR 5-1

01.1

Page 601

Mar 01/00

MAIN TRACK RIB ASSEMBLY – REPAIR 6-1

114T4406-17, -18, -21, -22, -25, -26

114T4407-17, -18, -21, -22, -25, -26

NOTE: Refer to REPAIR-GEN for a list of applicable standard practices.

1. Bushing Replacement

- A. Remove bushings ( 760, 762, 800, 802, IPL Fig. 3; 702, 704, 742, 744, IPL Fig. 4).
- B. Install bushings per 20-50-03 with wet BMS 5-95 sealant.
- C. Machine bushings per Fig. 601.
- D. Fillet seal bushing flanges with BMS 5-95 sealant.

2. Refinish

- A. Rib (772, 774, 812, 814, IPL Fig. 3; 714, 716, 754, 756, IPL Fig. 4) -- Chromic acid anodize, type 1 and apply one coat of BMS 10-11, type 1 primer (F-18.13) except no primer in bushing installation hole.  
Material: Al alloy.
- B. Shim (770, 810, IPL Fig. 3; 712, 752, IPL Fig. 4) -- Treat surface, colored coating. Apply one coat of BMS 10-11, type 1 primer (F-18.06).

**57-43-55**

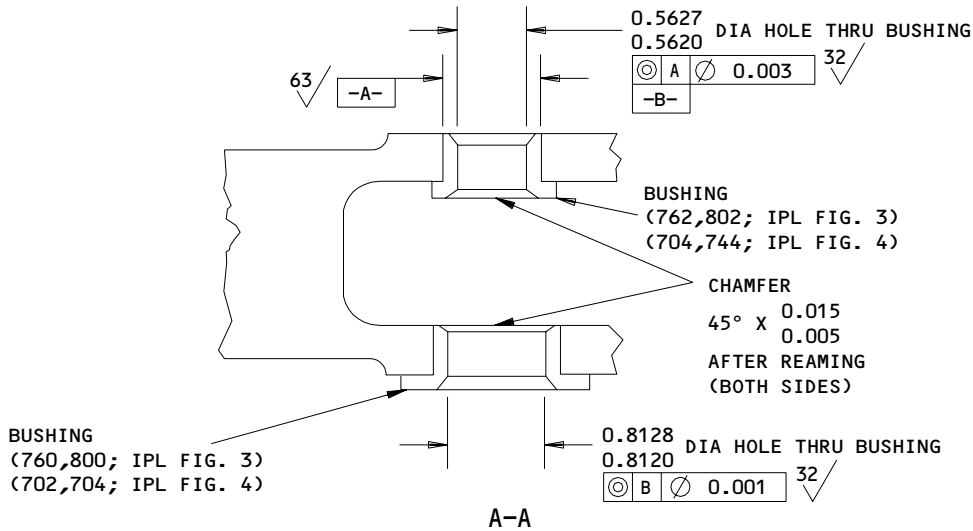
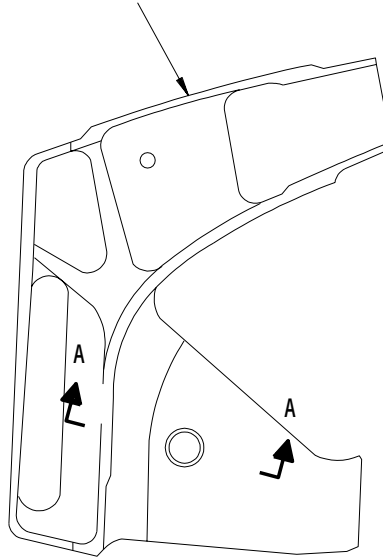
REPAIR 6-1

01.1

Page 601

Jun 01/97

RIB  
 (772,774,812,814; IPL FIG. 3)  
 (714,716,754,756; IPL FIG. 4)



TOLERANCE: ANGLE  $\pm 1/4^\circ$

ALL DIMENSIONS ARE IN INCHES

114T4406-17,-18,-21,-22,-25,-26  
 114T4407-17,-18,-21,-22,-25,-26  
 Bushing Replacement  
 Figure 601

**57-43-55**

REPAIR 6-1

Page 602

Jun 01/97

01.1

AUXILIARY RIB ASSEMBLY – REPAIR 7-1

114T4518-1, -2, -5, -6, -9, -10, -13, -14, -401, -402  
114T4519-1, -2, -5, -6, -9, -10, -13, -14, -401, -402

NOTE: Refer to REPAIR-GEN for a list of applicable standard practices.

1. Bushing Replacement

- A. Remove bushing (554, 596, IPL Fig. 3; 484, 530, IPL Fig. 4)
- B. Install bushing per 20-50-03 with wet BMS 5-95 sealant.
- C. Machine bushing per Fig. 601.
- D. Fillet seal bushing flanges with BMS 5-95 sealant flush with bushing flange. No sealant or finishes on plane surface of bushing flange.
- E. Fill gap between rub plates (566, 568, 608, 610, IPL Fig. 3; 496, 498, 542, 544, IPL Fig. 4) and bushing flanges with BMS 5-95 sealant as shown in Figure 601.

2. Refinish

- A. Rib (570, 572, 612, 614, IPL Fig. 3; 500, 502, 546, 548, IPL Fig. 4) -- Anodize (F-17.04) or (F-17.31) and apply one layer of BMS 10-11, type 1 primer (F-20.02), except do not apply primer in the holes for the bushings. Optional: For bushing holes and touchup of small areas of bare metal, apply colored chemical coating (F-17.10) instead of anodize. Material: Al alloy.
- B. Rib assembly (458C, 460C, 504C, 506C) -- Chemical treat and apply yellow BMS 10-11, type 1 primer (F-21.121).

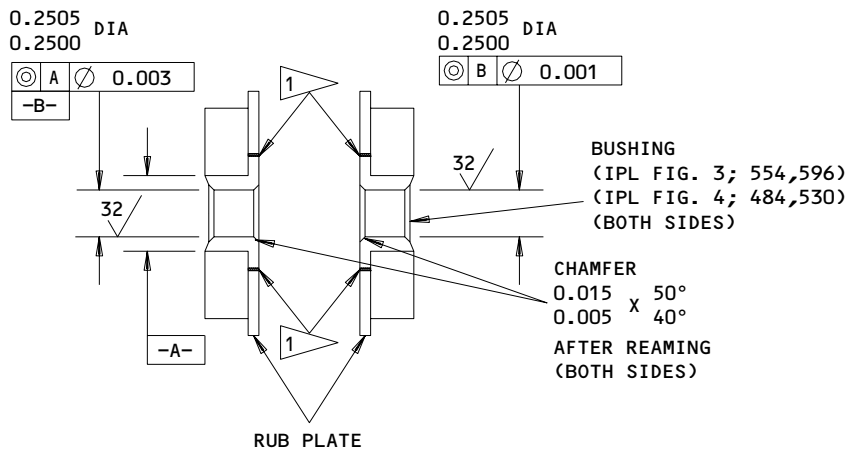
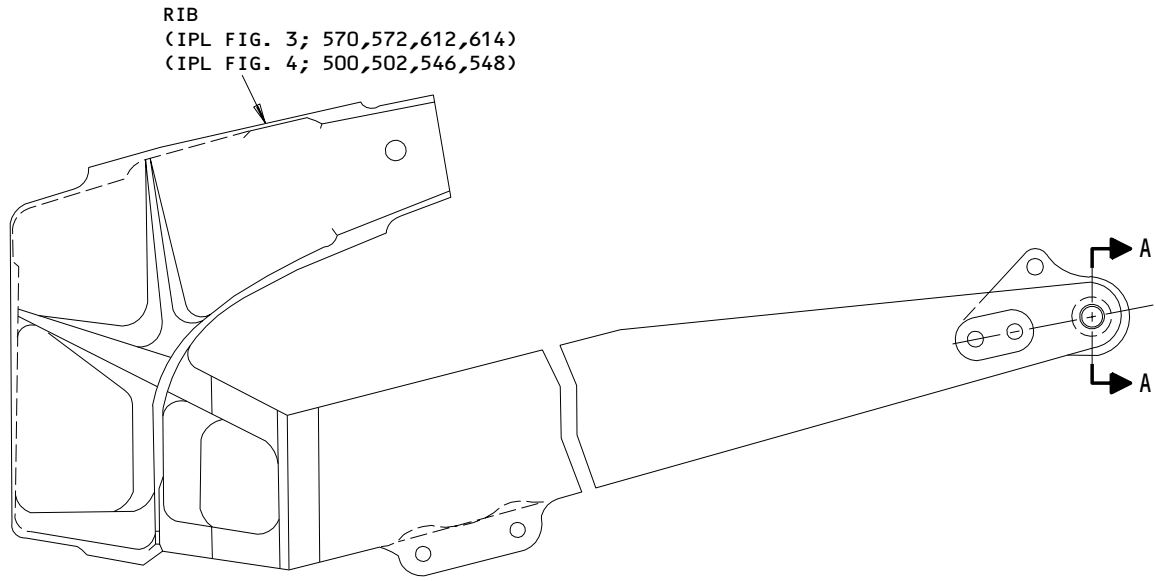
**57-43-55**

REPAIR 7-1

01.1

Page 601

Mar 01/00



A-A

**1** FILL THE GAP BETWEEN THE BUSHING AND THE RUB PLATE WITH BMS 5-95 SEALANT

ALL DIMENSIONS ARE IN INCHES

114T4518-1,-2,-5,-6,-9,-10,-13,-14,-401,-402  
 114T4519-1,-2,-5,-6,-9,-10,-13,-14,-401,-402  
 Bushing Replacement  
 Figure 601

**57-43-55**

REPAIR 7-1

01.1

Page 602

Mar 01/00

MISCELLANEOUS PARTS REFINISH – REPAIR 8-1

1. Repair of these parts is only replacement of the original finish.

IPL FIG. & ITEM	MATERIAL	FINISH
<p><u>Fig. 1</u></p> <p>Structure Assembly (1,1A,1B,1C,1D,1E, 1F,1H,5,5A,5B,5C, 5D,5E,5F,5H)</p>	<p>--</p>	<p>Except for the access panels (114T4159-1,-2,-3,-4), the TE wedge assemblies (114T4114-1,-2,-7 thru -12,-17 thru -20), the skins (114T4104-3,-4), and the closure panels (114T4151-5,-6,-7,-8), and except as noted in Fig. 601, put the following finish on the slat assembly:</p> <p>Before you install the seals onto the slat assembly, apply BMS 10-11, type 1 primer (F-14.995) and BMS 10-60, type 1 enamel (F-14.9813) to the slat assembly, in the operators color scheme.</p> <p>After you install the seals, apply BMS 10-60, type 1 enamel (F-14.9813), in the operators color scheme, to all unpainted seal retainers, boltheads, and washers.</p> <p>For detail refinish of the access panels, the TE wedge assemblies, the skins, and the closure panels listed above, see the refinish information listed in this section. For refinish of these parts at the assembly level, see Fig. 601 and Table A.</p>

Refinish Details  
Table 601 (Sheet 1)

IPL FIG. & ITEM	MATERIAL	FINISH
<p><u>Fig. 1</u> (Cont)</p> <p>Structure Assembly (1J,5J)</p>	<p>--</p>	<p>Except for the access panels (114T4159-1,-2,-3,-4), the TE wedge assemblies (114T4114-1,-2,-7 thru -12,-17 thru -20), the skins (114T4104-3,-4), and the closure panels (114T4151-5,-6,-7,-8), and except as noted in Fig. 601, put the following finish on the slat assembly:</p> <p>Before you install the seals onto the slat assembly, apply BMS 10-79, type 2 primer and BMS 10-60, type 2 enamel (F-19.41) to the slat assembly, in the operators color scheme.</p> <p>After you install the seals, apply BMS 10-60, type 2 enamel (F-19.39), in the operators color scheme, to all unpainted seal retainers, boltheads, and washers.</p> <p>For detail refinish of the access panels, the TE wedge assemblies, the skins, and the closure panels listed above, see the refinish information listed in this section. For refinish of these parts at the assembly level, see Fig. 601 and Table A.</p>

Refinish Details  
Table 601 (Sheet 2)

**57-43-55**

REPAIR 8-1

01.1

Page 602

Mar 01/00

IPL FIG. & ITEM	MATERIAL	FINISH
<p><u>Fig. 1</u> (Cont)</p> <p>Structure Assembly (1K,1M,1P,1Q,5K, 5M,5P,5Q)</p>	<p>--</p>	<p>Except for the access panels (114T4159-1,-2,-3,-4), the TE wedge assemblies (114T4114-1,-2,-7 thru -12,-17 thru -20), the skins (114T4104-3,-4), and the closure panels (114T4151-5,-6,-7,-8), and except as noted in Fig. 601, put the following finish on the slat assembly:</p> <p>Before you install the seals onto the slat assembly, apply BMS 10-79, type 3 primer (F-19.47) and BMS 10-60, type 2 enamel (F-19.39) to the slat assembly, in the operators color scheme.</p> <p>After you install the seals, apply BMS 10-60, type 2 enamel (F-19.39), in the operators color scheme, to all unpainted seal retainers, boltheads, and washers.</p> <p>For detail refinish of the access panels, the TE wedge assemblies, the skins, and the closure panels listed above, see the refinish information listed in this section. For refinish of these parts at the assembly level, see Fig. 601 and Table A.</p>

Refinish Details  
Table 601 (Sheet 3)



IPL FIG. & ITEM	MATERIAL	FINISH
<p><u>Fig. 1</u> (Cont)</p> <p>Structure Assembly (1N,1R,3H,3J,3K,3L, 3M,5N,5R,7H,7J,7K, 7L,7M)</p>	<p>--</p>	<p>Except for the access panels (114T4159-1,-2,-3,-4), the TE wedge assemblies (114T4114-1,-2,-7 thru -12,-17 thru -20), the skins (114T4104-3,-4), and the closure panels (114T4151-5,-6,-7,-8), and except as noted in Fig. 601, put the following finish on the slat assembly:</p> <p>Before you install the seals onto the slat assembly, apply BMS 10-79, type 3 primer (F-19.47) and BMS 10-60, type 2 enamel (F-19.39) to the slat assembly, in the operators color scheme.</p> <p>After you install the seals, apply BMS 10-79, type 3 primer (F-19.47), and BMS 10-60, type 2 enamel (F-19.39) in the operators color scheme, to all unpainted seal retainers, boltheads, and washers.</p> <p>For detail refinish of the access panels, the TE wedge assemblies, the skins, and the closure panels listed above, see the refinish information listed in this section. For refinish of these parts at the assembly level, see Fig. 601 and Table A.</p>

Refinish Details  
Table 601 (Sheet 4)

**57-43-55**

REPAIR 8-1

01.1

Page 604

Nov 01/00

IPL FIG. & ITEM	MATERIAL	FINISH
<u>Fig. 2</u>		
Retainer (14,16,18,20,22,24)	Al alloy	Chromic acid anodize and apply primer, BMS 10-11, type 1 (F-18.13). Apply enamel, BMS 10-60 BAC707 gray gloss (SRF-14.9813).
Retainer (72,120,152,154)	Al alloy	Chemical treat and apply primer BMS 10-11, type 1 (F-18.06). Apply enamel, BMS 10-60 BAC707 gray gloss (SRF-14.9813).
Panel (296,297,322,324)	Al alloy	Chemical treat and apply primer BMS 10-11, type 1 (F-18.06).
Stiffener (326)	Al alloy	Chromic acid anodize and apply primer BMS 10-11 type 1 (F-18.13).
Access panel assemblies (450,452,486,488)	Al alloy	Exterior surface of the skin: Chemical treat (F-17.40).  Interior surface of the skin: Chemical treat and apply BMS 10-11, type 1 primer (F-20.02).
TE wedge assemblies (438,440,442,444,446,448)	Al alloy	Chemical treat (F-17.40) the exterior skin surfaces.
Skin (114T4104-3,-4)	Al alloy	See Fig. 601.
Closure panels (857,859,861,863)	Composite	See Fig. 602.

Refinish Details  
Table 601 (Sheet 5)

**57-43-55**

REPAIR 8-1

01.1

Page 605

Mar 01/00

IPL FIG. & ITEM	MATERIAL	FINISH
<u>Fig. 3</u>		
Retainer (14,16,18,22)	Al alloy	Chromic acid anodize and apply primer BMS 10-11, type 1 (F-18.13). Apply enamel, BMS 10-60 BAC707 gray gloss (SRF-14.9813).
Retainer (72,114)	Al alloy	Chemical treat and apply primer, BMS 10-11, type 1 (F-18.06). Apply enamel, BMS 10-60 BAC707 gray gloss (SRF-14.9813).
Panel (254,256)	Al alloy	Chemical treat and apply primer BMS 10-11, type 1 (F-18.06).
Stiffener (258)	Al alloy	Chromic acid anodize and apply primer, BMS 10-11, type 1 (F-18.13). (F-18.13).
Access panel assemblies (349,350,352,354)	Al alloy	Exterior surface of the skin: Chemical treat (F-17.40).  Interior surface of the skin: Chemical treat and apply BMS 10-11, type 1 primer (F-20.02).
TE wedge assemblies (334,336,338,340)	Al alloy	Chemical treat (F-17.40) the exterior skin surfaces.
TE wedge assemblies (334A,338A)	Al alloy	Phosphoric acid anodize (F-20.31) the exterior skin surfaces.

Refinish Details  
Table 601 (Sheet 6)

**57-43-55**

REPAIR 8-1

01.1

Page 606

Mar 01/00

IPL FIG. & ITEM	MATERIAL	FINISH
<u>Fig. 3</u> (Cont)		
TE wedge assemblies (334B,338B)	Al alloy	Phosphoric acid anodize (F-20.31) and apply BMS 5-137, type 1 adhesive primer (F-20.47) to the exterior skin surfaces.
Skin (114T4104-3, -4)	Al alloy	See Fig. 601.
Closure panels (836,838,840,842)	Composite	See Fig. 602.
<u>Fig. 4</u>		
Access panel assemblies (352,354, 356,358)	Al alloy	Exterior surface of the skin: Chemical treat (F-17.40).  Interior surface of the skin: Chemical treat and apply BMS 10-11, type 1 primer (F-20.02).
TE wedge assemblies (334,336,338,340)	Al alloy	Chemical treat (F-17.40) the exterior skin surfaces.
TE wedge assemblies (336A,336B,340A, 340B)	Al alloy	Phosphoric acid anodize (F-20.31) the exterior skin surfaces.
TE wedge assemblies (334C,338C)	Al alloy	Phosphoric acid anodize (F-20.31) and apply BMS 5-137, type 1 adhesive primer (F-20.47) to the exterior skin surfaces.

Refinish Details  
Table 601 (Sheet 7)

**57-43-55**

REPAIR 8-1

01.1

Page 607

Mar 01/00

IPL FIG. & ITEM	MATERIAL	FINISH
<u>Fig. 4</u> (Cont) Skin (114T4104-3, -4) Closure panels (768,770,772,774)	Al alloy Composite	See Fig. 601. See Fig. 602.

Refinish Details  
 Table 601 (Sheet 8)

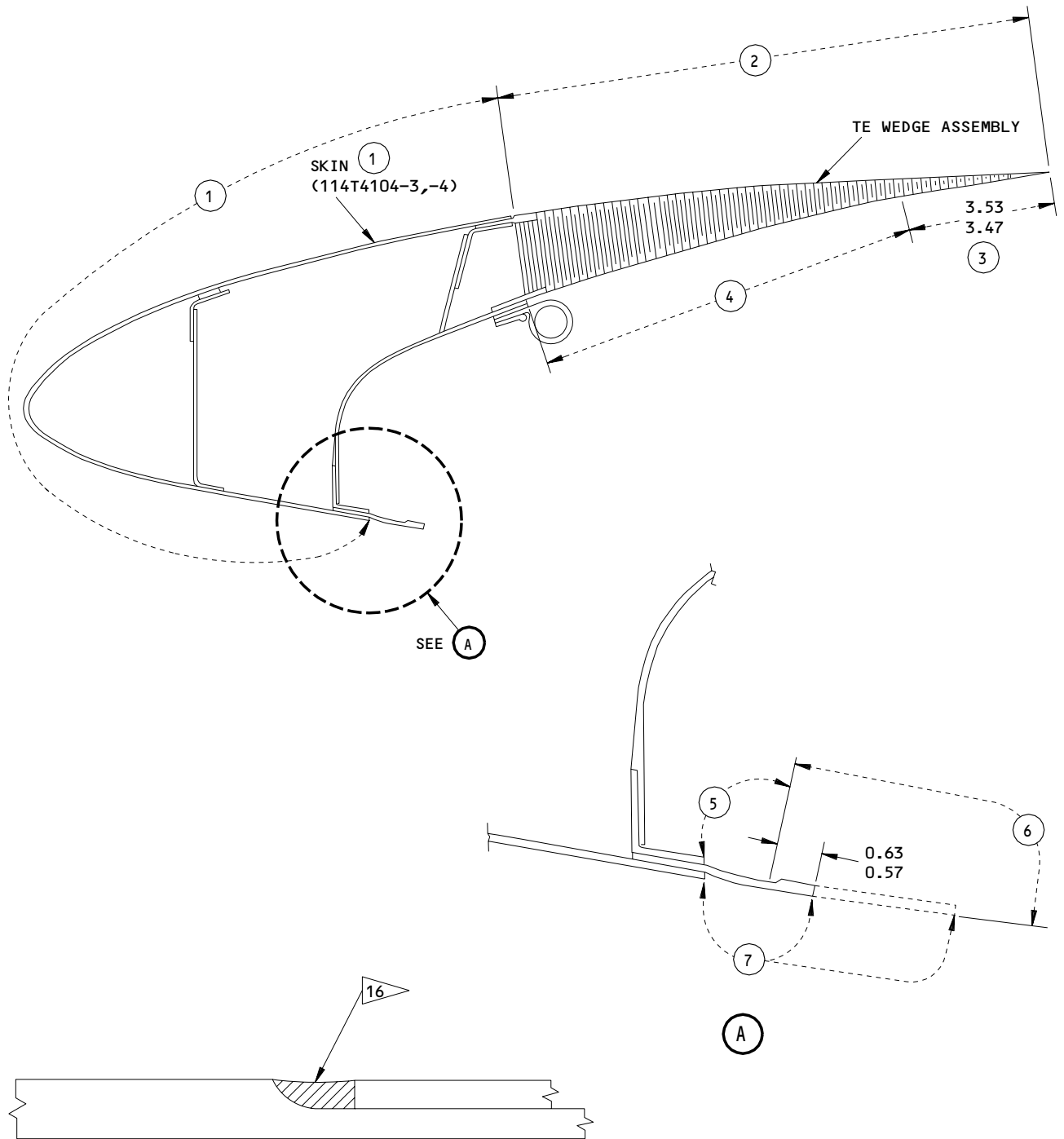
**57-43-55**

REPAIR 8-1

01.1

Page 608

Mar 01/00



TYPICAL SKIN JOINT

Slat Structure Assembly Refinish  
Figure 601 (Sheet 1)

**57-43-55**

REPAIR 8-1

Page 609

Nov 01/00

01.1

PART NUMBER	AREA OF REFINISH (SEE FIG. 601)						
	①	②	③	④	⑤	⑥	⑦
114T4104-13A, -13B,-14A, -14B,-21A, -21B,-22A, -22B,-25,-26, -27SP,-28SP, -29,-30,-37A, -37B,-38A, -38B	1	3 4	3 6	8	10	12	13
114T4104-13C, -14C,-21C, -22C,-37C, -38C	1	3 4	3 7	9	10	12	13
114T4104-23, -24,-33,-34	1	3 4	3 6	8	10	12	14
114T4104-39, -40	1	3 4	3 6	8	11	12	13
114T4104-401SP -402SP,-403G, -404G,-41,-42, -45 THRU -50, -53,-54	1	3 5	3 6	8	10	12	15
114T4104-51, -52,-57SP THRU -60SP, -403P,-404P	2	3 5	3 6	8	10	12	15

TABLE A

**NOTE:**

IF NECESSARY, FOR 015T1507-XXX PART NUMBER ASSEMBLIES, SEE SB 767-57A0057 TO DETERMINE THE ORIGINAL ASSEMBLY NUMBER, THEN REFINISH AS SHOWN IN FIGURE 601.

Slat Structure Assembly Refinish  
Figure 601 (Sheet 2)

**57-43-55**

REPAIR 8-1

Page 610

Nov 01/00

01.1

 **BOEING**  
COMPONENT  
MAINTENANCE MANUAL

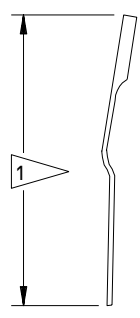
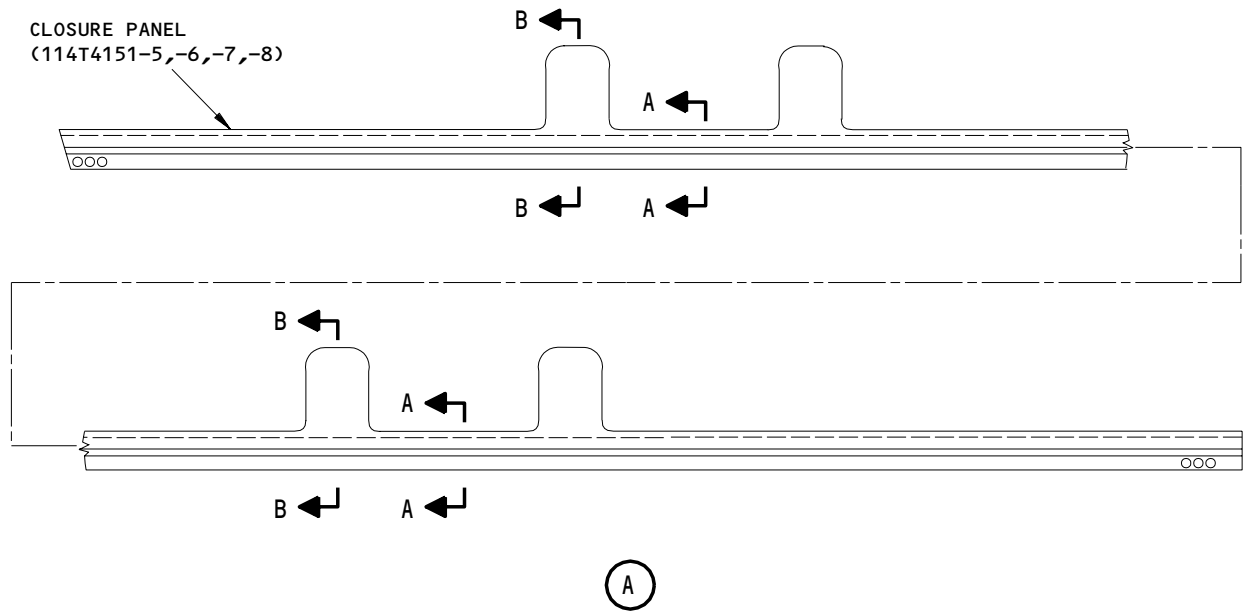
- 1 CHEMICAL TREAT (F-17.40), THEN MECHANICALLY POLISH
- 2 APPLY AZTEC 649 PROTECTIVE FINISH AS SPECIFIED BY SOPM 20-44-02
- 3 IF NECESSARY, SEE WEDGE ASSEMBLY REFINISH INFORMATION FOR TREATMENT OF UPPER AND LOWER METAL SKINS
- 4 CHEMICAL TREAT (F-17.10) ANY UNTREATED AREAS OF ALUMINUM OR ALUMINUM RIVET HEADS
- 5 CHEMICAL TREAT (F-17.10) ANY UNTREATED AREAS OF ALUMINUM OR ALUMINUM RIVET HEADS, THEN APPLY BMS 10-79, TYPE 3 PRIMER (F-19.47) AND BMS 10-60, TYPE 2 ENAMEL (F-19.39) IN THE OPERATORS COLOR SCHEME
- 6 CHEMICAL TREAT (F-17.10) ANY UNTREATED AREAS OF ALUMINUM OR ALUMINUM RIVET HEADS, THEN APPLY BMS 10-79, TYPE 3 PRIMER (F-19.47) AND TYPE 27 ABRASION RESISTANT FINISH IN THE OPERATORS COLOR SCHEME (F-14.9624 OR F-14.9625) TO A THICKNESS OF 0.005-0.010 INCH
- 7 CHEMICAL TREAT (F-17.10) ANY UNTREATED AREAS OF ALUMINUM OR ALUMINUM RIVET HEADS, THEN APPLY BMS 10-11, TYPE 1 PRIMER (F-20.02) AND TYPE 27 ABRASION RESISTANT FINISH IN THE OPERATORS COLOR SCHEME (F-14.9624 OR F-14.9625) TO A THICKNESS OF 0.005-0.010 INCH
- 8 CHEMICAL TREAT (F-17.10) ANY UNTREATED AREAS OF ALUMINUM OR ALUMINUM RIVET HEADS, THEN APPLY BMS 10-79, TYPE 1 PRIMER (F-19.47) AND TYPE 27 ABRASION RESISTANT FINISH IN THE OPERATORS COLOR SCHEME (F-14.9624 OR F-14.9625) TO A THICKNESS OF 0.002-0.005 INCH
- 9 CHEMICAL TREAT (F-17.10) ANY UNTREATED AREAS OF ALUMINUM OR ALUMINUM RIVET HEADS, THEN APPLY BMS 10-11, TYPE 1 PRIMER (F-20.02) AND TYPE 27 ABRASION RESISTANT FINISH IN THE OPERATORS COLOR SCHEME (F-14.9624 OR F-14.9625) TO A THICKNESS OF 0.002-0.005 INCH
- 10 APPLY BMS 10-79, TYPE 3 PRIMER (F-19.47) AND BMS 10-60, TYPE 2 ENAMEL (F-19.39) IN THE OPERATORS COLOR SCHEME
- 11 APPLY BMS 10-79, TYPE 2 PRIMER AND BMS 10-60, TYPE 2 ENAMEL (F-19.41) IN THE OPERATORS COLOR SCHEME
- 12 APPLY BMS 10-79, TYPE 3 PRIMER (F-19.47) AND TYPE 27 ABRASION RESISTANT FINISH IN THE OPERATORS COLOR SCHEME (F-14.9624 OR F-14.9625) TO A THICKNESS OF 0.005-0.010 INCH
- 13 APPLY BMS 10-60, TYPE 2 ENAMEL (F-19.39) IN THE OPERATORS COLOR SCHEME
- 14 NO FINISH ON THIS AREA
- 15 APPLY BMS 10-79, TYPE 3 PRIMER (F-19.47) AND BMS 10-60, TYPE 2 ENAMEL (F-19.39) IN THE OPERATORS COLOR SCHEME
- 16 BEFORE YOU APPLY PROTECTIVE FINISHES, FILL ALL SKIN JOINTS WITH AERODYNAMIC SMOOTHER BMS 5-95 AS SPECIFIED BY SOPM 20-50-11, METHOD 2. AERO SMOOTHER MUST BE FLUSH OR BELOW THE SKIN SURFACE. REMOVE EXCESS AS SPECIFIED BY SOPM 20-50-11

Slat Structure Assembly Refinish  
Figure 601 (Sheet 3)

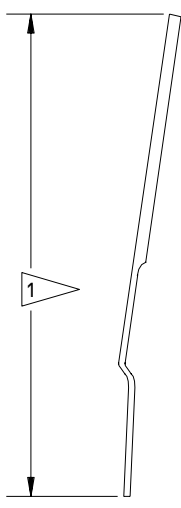
**57-43-55**  
REPAIR 8-1  
Page 611  
Nov 01/00

01.1





A-A  
 (TYPICAL)



B-B  
 (TYPICAL)

**REFINISH**

PREPARE THE SURFACE (SRF-14.672) THEN APPLY COATING PER 1

- 1 APPLY BMS 10-21, CONDUCTIVE COATING (F-14.685), THEN APPLY BMS 10-79, TYPE 2 PRIMER (F-19.46)

Closure Panel Refinish  
 Figure 602

**57-43-55**

REPAIR 8-1  
 Page 612  
 Mar 01/00

01.1

K96523

OUTBOARD SLAT STRUCTURE ASSEMBLY NO. 4 AND 9 - REPAIR 10-1

114T4104-13SP, -14SP, -21SP, -22SP, -23 THRU -26, -27SP, -28SP,  
-29, -30, -33, -34, -37SP, -38SP, -39 THRU -42,  
-45 THRU -54, -57SP THRU -60SP, -401SP, -402SP

NOTE: Refer to REPAIR - GENERAL for a list of applicable standard practices.

1. Wedge Assembly (438, 440, 442, 444, 446, 448, IPL Fig. 2; 334, 336, 338, 340, IPL Fig. 3; 334, 336, 338, 340, IPL Fig. 4) Replacement (Fig. 601)

NOTE: Use wedge alignment tool assembly A57003 at OSS 583.548 and 630.945. OSS locations are shown in Fig. 602.

- A. Use plywood or an equivalent material to make a fixture to hold the outboard slat structure assembly. The 757 fixture can be used with small changes.
- B. Put the slat structure assembly (1, 3, 5, 7, IPL Fig. 1) in the fixture to prevent the slat structure assembly from movement during the repair.
- C. Install the Wedge Alignment Tool Assembly

- (1) Put the wedge alignment tool assembly on the auxiliary arm/rib assembly (636, 638, 640, 642, IPL Fig. 2) (532, 534, 574, 576, IPL Fig. 3), (458, 460, 504, 506, IPL Fig. 4) at OSS 583.548.

NOTE: Make sure the wedge alignment tool assembly is used at the correct OSS location shown in Fig. 602.

- (2) Put the ball-lock pin through the bushing hole at the end of the auxiliary arm assembly, with the dowel pin on the auxiliary arm.
- (3) Add shim blocks between the auxiliary arm forks to not let them bend during the next step. Shim blocks are included in the wedge alignment tool assembly kit.
- (4) Use C-clamps to hold the wedge alignment tool assembly to the auxiliary arm. Install the C-clamps between the contour locators.
- (5) Do steps 1.C.(1) thru 1.C.(4) again for the other auxiliary arm/rib assembly at OSS 630.945.
- (6) Adjust the two contour locators on each wedge alignment tool assembly to the contour of the slat. Do not move or bend the wedge assembly during this procedure. Tighten the knobs.

NOTE: The contour locations are for reference only, to help you hold the wedge.

**57-43-55**

REPAIR 10-1

01.1

Page 601

Mar 01/00

- (7) Adjust the trailing edge locator on each wedge alignment tool assembly to the trailing edge of the wedge assembly. Do not move or bend the wedge assembly during this procedure. Tighten the knobs.

D. Remove Wedge Alignment Tool Assembly

- (1) Tag the wedge alignment tool assemblies to show the OSS locations.

**CAUTION:** THE WEDGE ALIGNMENT TOOL ASSEMBLIES WILL BE USED TO GET THE CORRECT LOCATION FOR THE NEW WEDGE ASSEMBLY. MAKE SURE THE KNOBS ARE TIGHT. DO NOT LOOSEN THE KNOBS OR MOVE THE TRAILING EDGE LOCATORS DURING THE FOLLOWING STEPS.

- (2) Loosen and remove C-clamps and the shim blocks.
- (3) Remove the ball-lock pins from the bushing holes in the auxiliary arms.
- (4) Remove the wedge alignment tool assemblies.

E. Remove the Damaged Wedge Assembly

**NOTE:** Make a note of the location of parts as you remove them to help during assembly.

- (1) Remove the seal retainers (14, 16, 18, 20, 22, 24, IPL Fig. 2), (14, 16, 18, 22, 24, 26, IPL Fig. 3), (11, IPL Fig. 4) and bulb seals (26, 28, 30, 32, 34, 36, IPL Fig. 2), (28, 30, 32, 34, 36, 38, IPL Fig. 3), (18, 20, 22, 24, 26, 28, IPL Fig. 4) with bolts (10, IPL Fig. 2, 3 and 4) and washers (12, IPL Fig. 2, 3, 4).
- (2) Make a note of the locations of the cove panels (182, 184, 206, 208, 242, 244, 252, 254, 296, 297, 322, 324, 356, 358, 370, 372, 396, 398, Fig. 2), (152, 154, 168, 170, 198, 200, 214, 216, 234, 236, 254, 256, 278, 280, 290, 292, 320, 322, IPL Fig. 3), (144, 146, 156, 158, 192, 194, 202, 204, 228, 230, 244, 246, 276, 278, 290, 292, 324, 326, IPL Fig. 4), stiffeners (210, 214, 215, 256, 298, 326, 360, 374, 378, 400, IPL Fig. 2), (174, 176, 178, 202, 218, 238, 258, 282, 293, 298, 300, 324, IPL Fig. 3), (160, 164, 166, 196, 206, 232, 248, 280, 294, 298, 300, 328, IPL Fig. 4) and fasteners to help during assembly.
- (3) Remove all the fasteners along the lower and upper surfaces of the wedge assembly.

**57-43-55**

REPAIR 10-1

01.1

Page 602

Mar 01/98

- (4) Remove the cove panels and stiffeners. Removal of some attaching parts could be necessary to let you remove the cove panels.

**NOTE:** Some stiffeners are attached to the back of the cove panels. Removal of these from the cove panels is not necessary.

- (5) Remove the sealant from the gap between the leading edge skin and the wedge assembly.
- (6) Lift and remove the wedge assembly from the slat. To help get it out, you can gently move it back and forth. Keep the damaged wedge assembly as a guide for nutplate replacement.
- (7) Remove the shims between the lower surface of the wedge assembly and the slat ribs. Make a note of the shim locations. Some shims can be used again.

F. Prepare to Install the New Wedge Assembly

- (1) Prepare the surface of the slat structure assembly.
- (2) Put the new wedge assembly in position on the slat structure assembly. Align the ends of the wedge assembly with the ends of the slat structure assembly.

**CAUTION:** DO NOT MOVE OR CHANGE THE POSITION OF THE TRAILING EDGE LOCATORS ON THE WEDGE ALIGNMENT TOOL ASSEMBLIES.

- (3) Install the tagged wedge alignment tool assemblies on the applicable auxiliary arms. (Refer to step 1.C.)

**CAUTION:** WHEN YOU USE CLAMPS, DO NOT APPLY TOO MUCH PRESSURE, OR YOU COULD PUT DENTS IN THE NEW WEDGE ASSEMBLY.

- (4) Apply pressure to keep the wedge assembly against the trailing edge locators. Adjust the position of the wedge assembly to the wedge tip location dimensions and the allowable short fastener hole dimensions as shown in Fig. 602. When you use clamps, use wood blocks in them to prevent damage to the upper surface of the wedge assembly. Use the contour locators to help hold the wedge in the correct position.
- (5) Measure shim gaps between ribs and the lower chord of the new wedge assembly. Make a note of the shim thickness and location.

**NOTE:** No shims are permitted between the upper chord of wedge assembly and the leading edge skin of the slat structure assembly.

- (6) Remove the wedge alignment tool assemblies. (Refer to step 1.D.)
  - (7) Remove the wedge assembly.
  - (8) Install the BACS40R\*C\*F shims on the ribs with wet or dry BMS 10-11, type 1 primer mixed per SOPM 20-41-02 and F-20.05. If necessary, remove layers from the shims to get the correct thickness measured in step 1.F.(5). Maximum unshimmed gap is 0.010 inch.
  - (9) Install the tagged wedge alignment tool assemblies on the applicable auxiliary arm assemblies. (Refer to step 1.C.)
  - (10) Put the new wedge assembly in position on the slat structure assembly. Align the ends of the wedge assembly with the ends of the slat structure assembly.
- CAUTION:** WHEN YOU USE CLAMPS, DO NOT APPLY TOO MUCH PRESSURE, OR YOU COULD PUT DENTS IN THE NEW WEDGE ASSEMBLY.
- (11) Apply pressure to keep the wedge assembly against the trailing edge locators. When you use clamps, use wood blocks in them to prevent damage to the upper surface of the wedge assembly.
  - (12) Drill new holes along the upper chord of the wedge assembly to agree with the holes of the leading edge skin of the slat. Start in the middle and go toward the ends.
  - (13) Install a sufficient number of temporary fasteners to hold the wedge assembly in position.
  - (14) Install cove panels and stiffeners on the slat structure assembly with a sufficient number of screws and temporary fasteners to hold them in position.
  - (15) Drill new holes along the lower chord of the wedge assembly to agree with the holes of the cove panels. Start in the middle and go toward the ends.
  - (16) Remove the wedge alignment tool assemblies. (Refer to step 1.D.)
  - (17) Remove all temporary fasteners.
  - (18) Remove the cove panels and stiffeners.

**57-43-55**

REPAIR 10-1

01.1

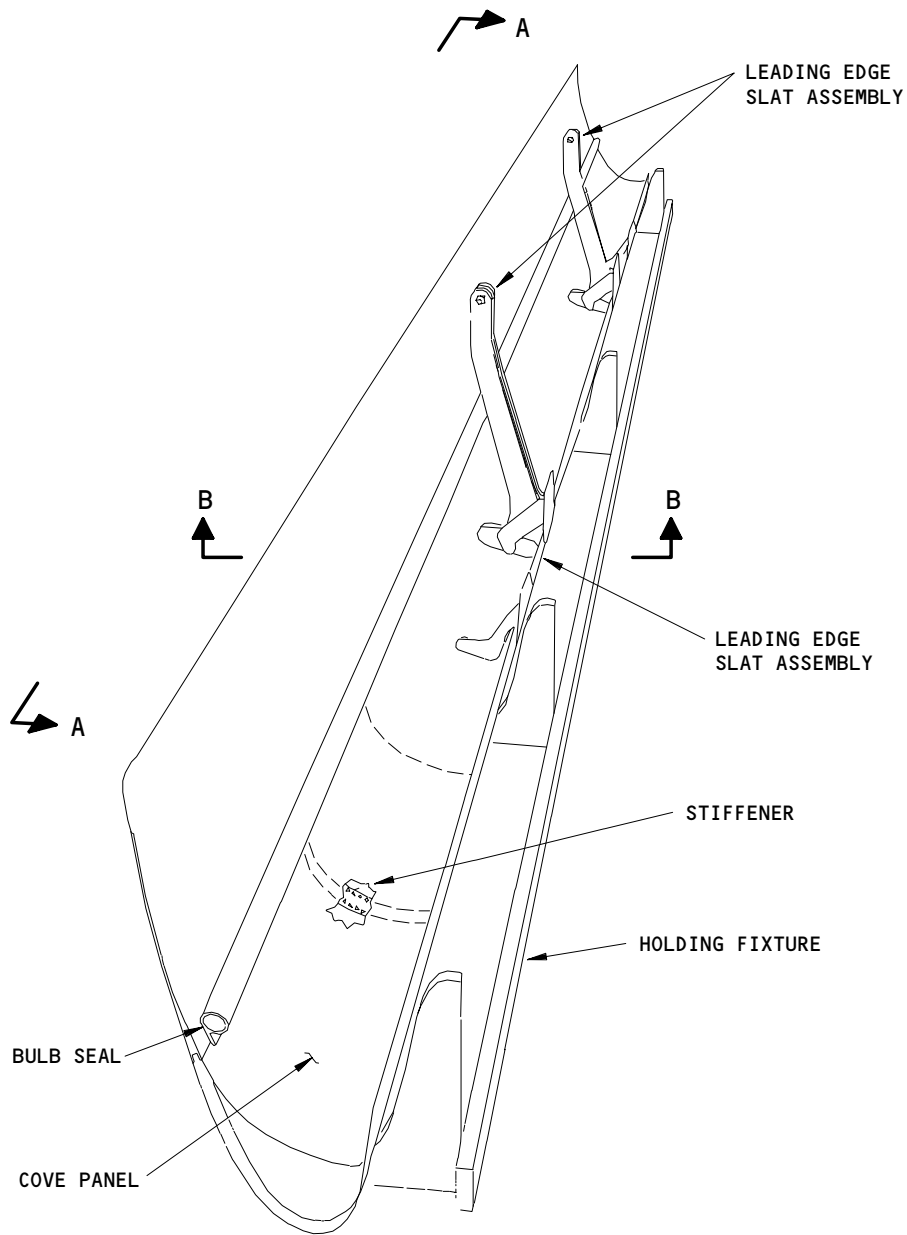
Page 604

Mar 01/98

- (19) Remove the wedge assembly from the slat structure assembly. To help get it out, you can gently move it back and forth.
- (20) Install the Nutplates on the New Wedge Assembly
  - (a) Drill nutplate rivet holes on the lower surface of the wedge assembly. Use the old wedge assembly as a guide for nutplate replacement.
  - (b) Countersink the bolt holes and remove burrs.
  - (c) Chemical treat and apply BMS 10-11, type 1 primer to shims and all bare metal surfaces.
  - (d) Install the nutplates with rivets.
- (21) Clean and prepare the slat structure and the wedge assembly for final assembly of the wedge assembly.

#### G. Final Installation of New Wedge Assembly

- (1) Put the new wedge assembly on the slat structure assembly. Make sure the ends of the wedge assembly align with ends of the slat structure assembly. Make sure the holes on the new wedge assembly are aligned with the holes on the slat leading edge skin and cove panels.
- (2) Install a sufficient number of temporary fasteners to hold the cove panels, stiffeners, and the wedge assembly in position.
- (3) Install the final fasteners.
- (4) Remove all temporary fasteners and install the final fasteners.
- (5) Fill skin joints with aerodynamic smoother BMS 5-95 per SOPM 20-50-11 method 2. Aerodynamic smoother must be flush or below skin surface. Remove unwanted smoother.
- (6) Apply final finish. (See MISCELLANEOUS PARTS REFINISH, REPAIR 8-1.)
- (7) Install all other parts you removed.



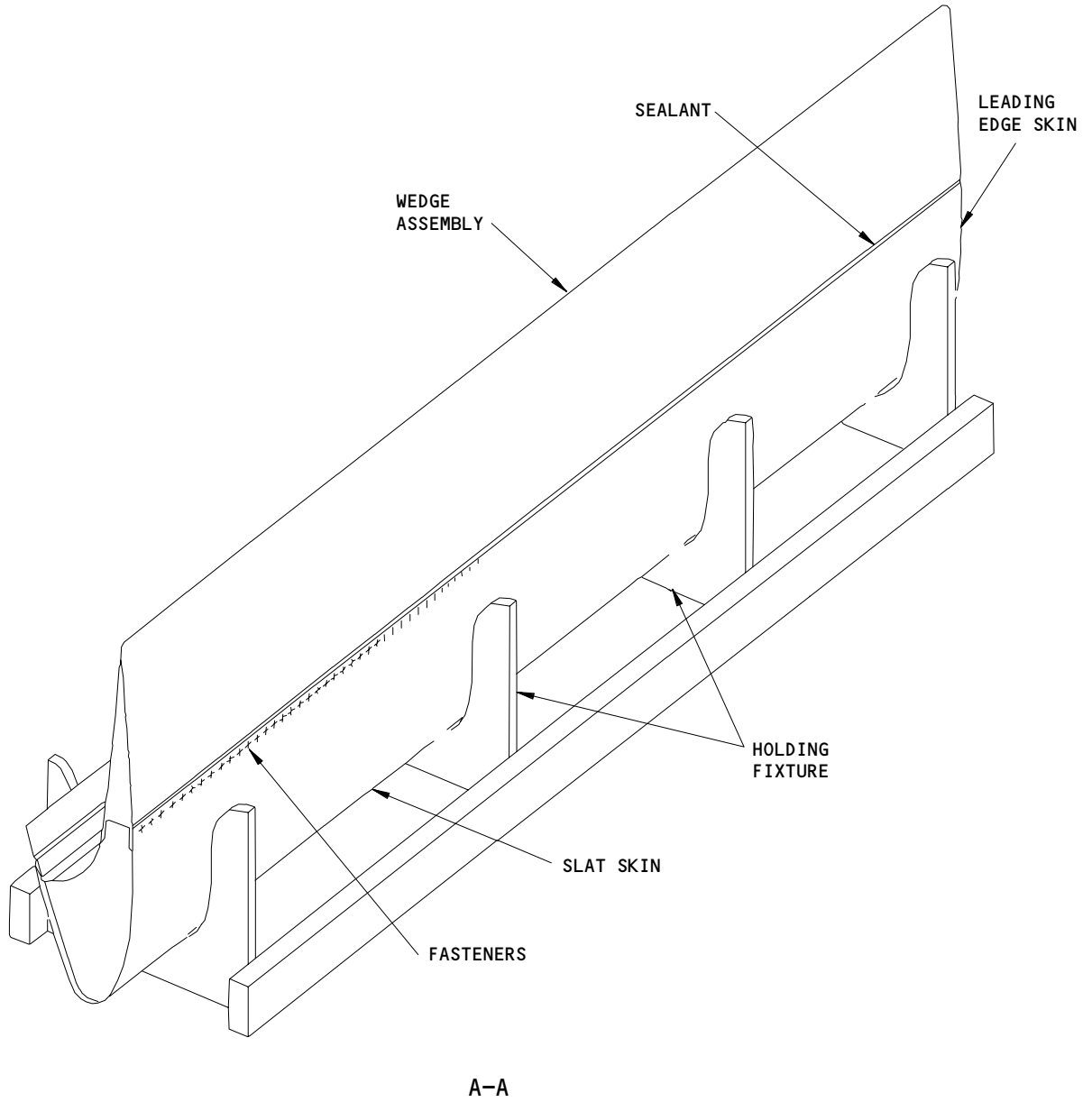
(SHOWN WITHOUT LOCATOR TOOLS)

Wedge Assembly Replacement  
Figure 601 (Sheet 1)

**57-43-55**

REPAIR 10-1  
Page 606  
Jun 01/97

01.1



Wedge Assembly Replacement  
Figure 601 (Sheet 2)

**57-43-55**

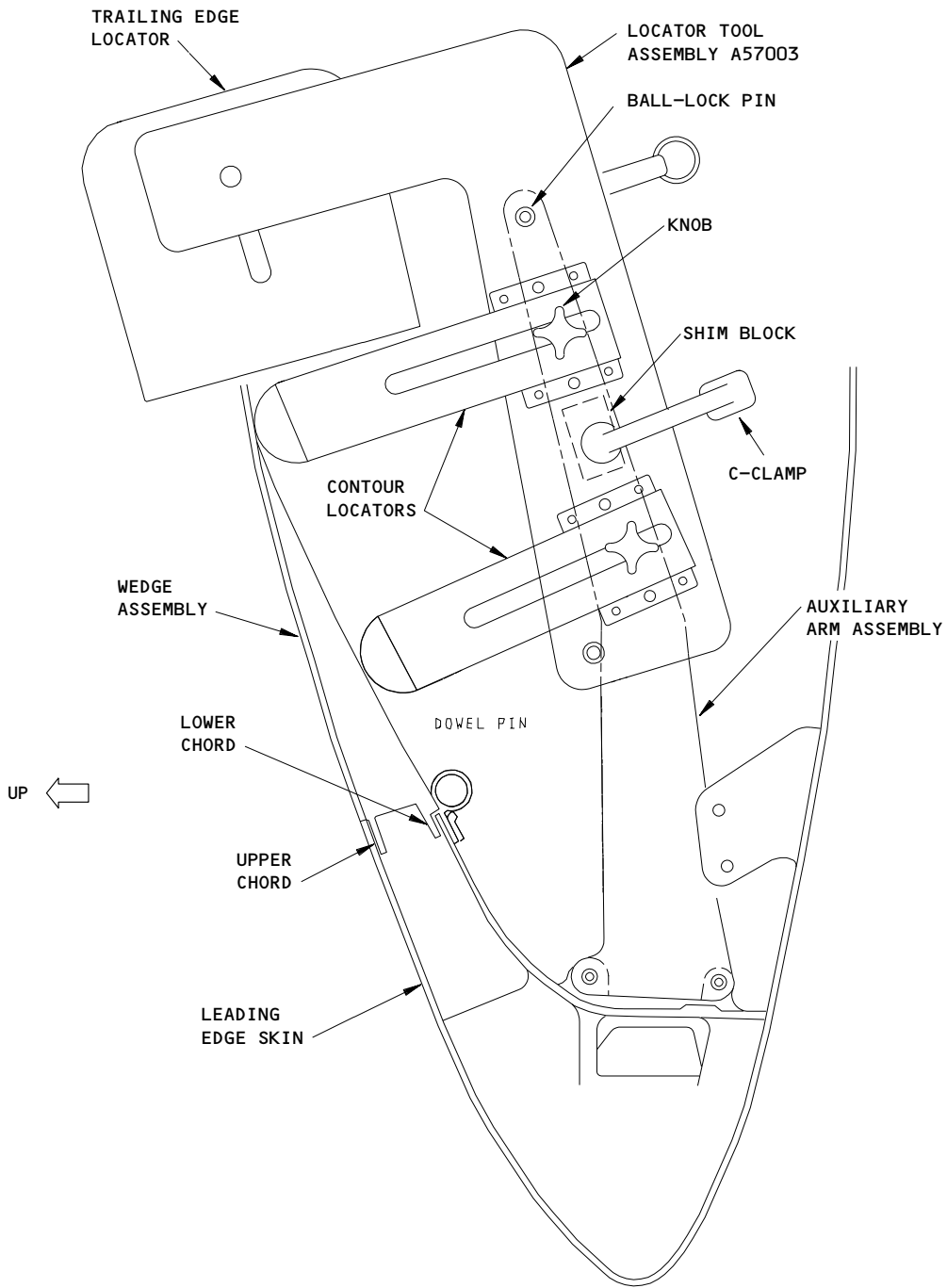
REPAIR 10-1

Page 607

Jun 01/97

01.1





B-B

Wedge Assembly Replacement  
 Figure 601 (Sheet 3)

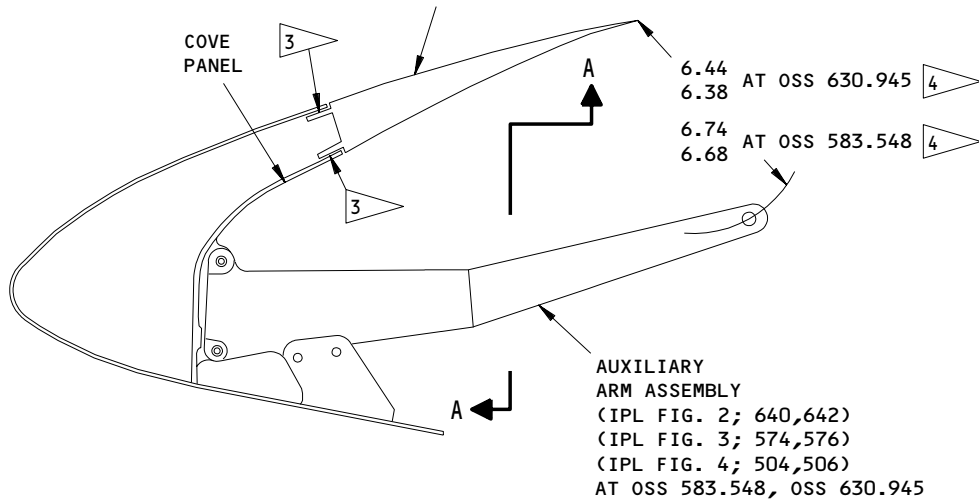
**57-43-55**

REPAIR 10-1  
 Page 608  
 Jun 01/97

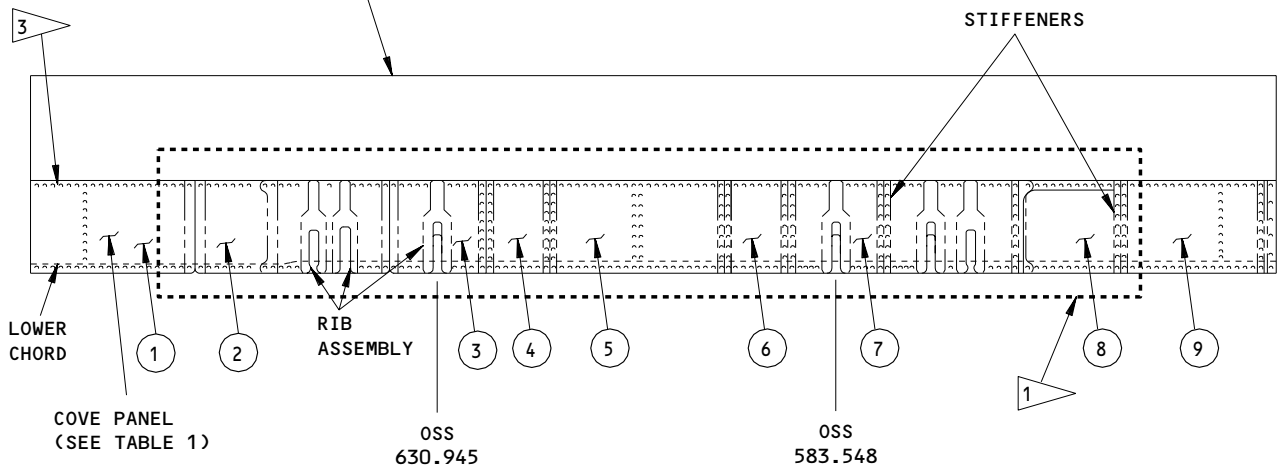
01.1

**BOEING**  
COMPONENT  
MAINTENANCE MANUAL

WEDGE ASSEMBLY  
(IPL FIG. 2; 438,440,442,444,446,448)  
(IPL FIG. 3; 334,336,338,340)  
(IPL FIG. 4; 334,336,338,340)



WEDGE ASSEMBLY  
(IPL FIG. 2; 438,440,442,444,446,448)  
(IPL FIG. 3; 334,336,338,340)  
(IPL FIG. 4; 334,336,338,340)



INBD

LEFT SIDE SHOWN  
(RIGHT SIDE OPPOSITE)  
(AUXILIARY ARMS NOT SHOWN)  
A-A

ALL DIMENSIONS ARE IN INCHES

Rivet Substitution  
Figure 602 (Sheet 1)

**57-43-55**

REPAIR 10-1

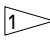

01.1

Page 609

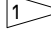
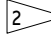
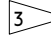
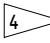
Nov 01/01

COVE PANEL LOCATION	IPL FIG. 2 ITEM NO.	IPL FIG. 3 ITEM NO.	IPL FIG. 4 ITEM NO.
①	182,184	152,154	144,146
②	206,208	168,170	156,158
③	242,244	198,200	192,194
④	252,254	214,216	202,204
⑤	296,297	234,236	228,230
⑥	322,324	254,256	244,246
⑦	356,358	278,280	276,278
⑧	370,372	290,292	290,292
⑨	396,398	320,322	324,326

**COVE PANEL IDENTIFICATION  
TABLE 1**

SUBSTITUTION FASTENER P/N 	SUBSTITUTION AREA
NAS1398MW*A*,NAS1738E*,BACR15FR*E	AREA COMMON TO COVE PANEL AND THE RIB
NAS1398D*A*,NAS1398MW*A*,NAS1738E*,BACR15FR*E	AREA COMMON TO COVE PANEL AND THE WEDGE
MS21141U**P OPTIONAL: HILOKS BACB3QVT*K* IN CLASS I HOLES (HILOKS INSTALLED WITH MANUFACTURED HEAD ON THE INSIDE OF THE SLAT BODY)	AREA COMMON TO COVE PANEL, RIB, AND THE WEDGE
MS21141U**P	AREA COMMON TO COVE PANEL AND THE LOWER CHORD
MS21141U**P	AREA COMMON TO COVE PANEL AND STIFFENERS
BACR15CE*AD* OR BACR15CE*D*	AREA WHERE BACR15CE*KE* FASTENERS ARE USED. 

**SUBSTITUTION  
TABLE 2**

- |                                                                                                                                                                                                                                                                                                                                                                                                                                                                                                                                                                                                                                                                                                        |                                                                                                                                                                                                                                                                                                                                                                                                                                                                                                   |
|--------------------------------------------------------------------------------------------------------------------------------------------------------------------------------------------------------------------------------------------------------------------------------------------------------------------------------------------------------------------------------------------------------------------------------------------------------------------------------------------------------------------------------------------------------------------------------------------------------------------------------------------------------------------------------------------------------|---------------------------------------------------------------------------------------------------------------------------------------------------------------------------------------------------------------------------------------------------------------------------------------------------------------------------------------------------------------------------------------------------------------------------------------------------------------------------------------------------|
| <p> RIVET SUBSTITUTIONS ALLOWED WITHIN SPECIFIED AREA.<br/>BLIND RIVET SUBSTITUTIONS ARE NOT PERMITTED FOR BOLTS OR SCREWS.</p> <p> SUBSTITUTION IS OPTIONAL. BUT IF YOU SUBSTITUTE, USE ONLY ONE TYPE OF RIVETS FOR ALL SUBSTITUTIONS. DO NOT MIX RIVET TYPES.</p> <p> SHORT FASTENER HOLE EDGE DISTANCES ARE PERMITTED IN THIS AREA.<br/>1. FASTENER HOLE EDGE DISTANCE OF 1.50 X FASTENER DIAMETER AT ALL LOCATIONS ON WEBSPAR CHORDS.</p> | <p>2. FASTENER HOLE EDGE DISTANCE OF 1.25-1.50 X FASTENER DIAMETER IN NO MORE THAN 2 CONSECUTIVE FASTENER HOLES AND IN NO MORE THAN 3 IN ANY 10 CONSECUTIVE FASTENER HOLES.</p> <p>3. FASTENER HOLE EDGE DISTANCE IS MEASURED FROM CENTER OF HOLE TO FREE EDGE OF CHORD.</p> <p> WEDGE TIP LOCATION DIMENSION IS THE DISTANCE FROM THE WEDGE TRAILING EDGE TO THE AUXILIARY ARM ASSEMBLY'S PIN CENTERLINE.</p> |
|--------------------------------------------------------------------------------------------------------------------------------------------------------------------------------------------------------------------------------------------------------------------------------------------------------------------------------------------------------------------------------------------------------------------------------------------------------------------------------------------------------------------------------------------------------------------------------------------------------------------------------------------------------------------------------------------------------|---------------------------------------------------------------------------------------------------------------------------------------------------------------------------------------------------------------------------------------------------------------------------------------------------------------------------------------------------------------------------------------------------------------------------------------------------------------------------------------------------|

Rivet Substitution  
Figure 602 (Sheet 2)

ASSEMBLY

1. Materials

NOTE: Equivalent substitutes can be used.

- A. Adhesive -- Type 60 (Ref 20-50-12)
- B. Enamel -- BMS 10-60, BAC701 black gloss (Ref 20-60-02)
- C. Primer -- BMS 10-11, Type 1 (Ref 20-60-03)
- D. Corrosion Preventive Compound -- MIL-C-11796, Class 3 (Ref 20-60-02)
- E. Sealant -- BMS 5-95 (Ref 20-60-04)

2. Assembly

- A. Use standard industry practices and these steps.
- B. Rib assembly (636, 638, 640, 642, IPL Fig. 2).
  - (1) Fay surface seal plates (666) to auxiliary arm assembly (700, 702, 704, 706; 720, 722, 724, 726) with BMS 5-95 sealant.
  - (2) Install fasteners (660, 662, 664) with BMS 5-95 sealant.
  - (3) Fill gaps between plates (666) and bushings (708, 728) with BMS 5-95 sealant.
  - (4) Fay surface seal washers (674) with BMS 5-95 sealant, typical both lugs.
  - (5) Tighten nuts (680) to 65-100 pound-inches.
  - (6) Fillet seal washers (670) with BMS 5-95 sealant. Make the sealant smooth over nuts (680) and bolts (668) heads.
- C. Rib assembly (532, 534, 574, 576, IPL Fig. 3).
  - (1) Fay surface seal plates (566, 568, 608, 610) to ribs (570, 572, 612, 614) with BMS 5-95 sealant.
  - (2) Install fasteners (556, 560, 562, 598, 602, 604) with BMS 5-95 sealant.
  - (3) Fill gaps between plates (566, 568, 608, 610) and bushing (554, 596) flanges with BMS 5-95 sealant.

**57-43-55**

ASSEMBLY  
Page 701  
Jun 01/97

01.1

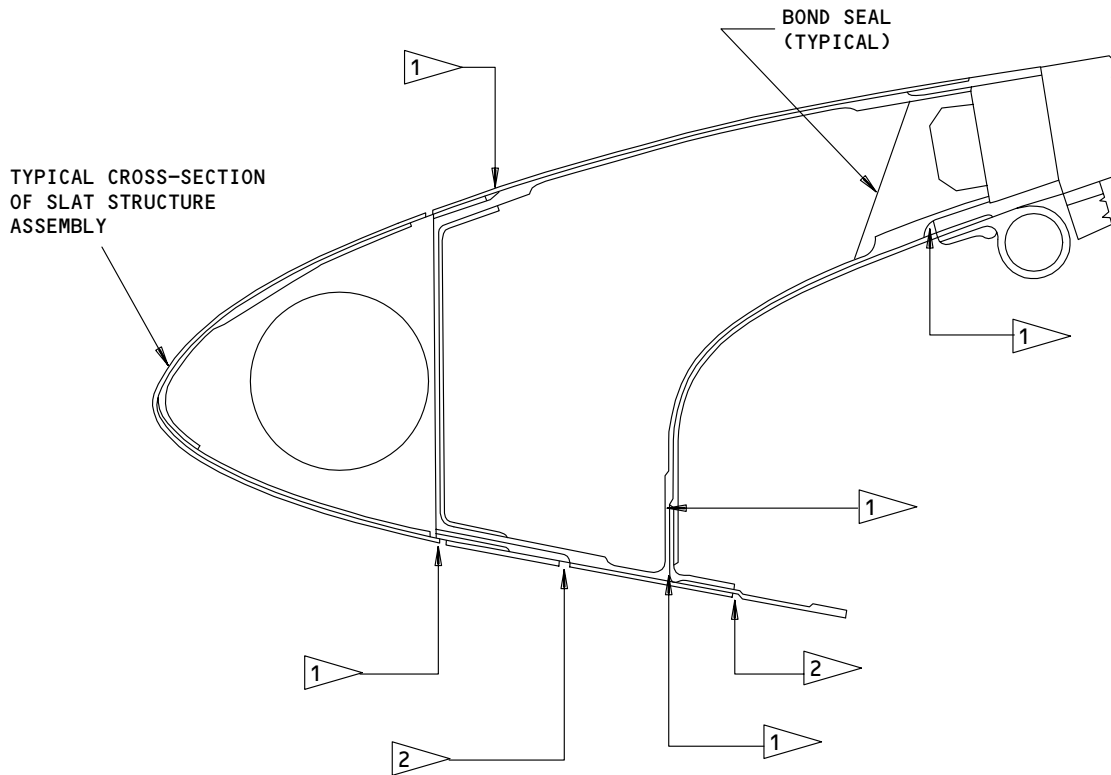
D. Final Assembly

- (1) Bond seals (92, 94 IPL Fig. 2; 80, 84, IPL Fig. 3) and slat structure assembly per 20-50-12, type 60.
- (2) Bond indicated seal (Fig. 701) per 20-50-12 type 60.
- (3) Fill skin joints (Fig. 701) with sealant BMS 5-95 per SOPM 20-50-11, method 2. Sealant must be flush or below skin surface. Remove unwanted sealant.
- (4) Fay surface seal marker (845, IPL Fig. 2; 734, IPL Fig. 3).
- (5) Paint the completed slat structure assembly per Miscellaneous Parts Refinish, REPAIR 8-1.

**57-43-55**

ASSEMBLY  
Page 702  
Jun 01/97

01.1



- 1 FILL CAVITIES COMPLETELY WITH BMS 5-95 SEALANT. EXTERNAL SEALANT MUST BE FLUSH OR BELOW SKIN SURFACE
- 2 FILL SKIN JOINT WITH AEROSMOOTHER BMS 5-95 METHOD II, PRIOR TO FINAL ASSEMBLY PROTECTIVE FINISHES

ALL DIMENSIONS ARE IN INCHES

Sealant Application  
Figure 701

**57-43-55**

ASSEMBLY  
Page 703  
Jun 01/97

01.1

FITS AND CLEARANCES

FOR TORQUE VALUES OF STANDARD FASTENERS. REFER TO 20-50-01			
ITEM NO. FIG. 2	NAME	TORQUE	
		POUND-INCHES	POUND-FEET
680	Nut	65-100	

Torque Table  
Figure 801

SPECIAL TOOLS, FIXTURES, AND EQUIPMENT

NOTE: Equivalent substitutes may be used.

1. A57003-5, -6, -7 - OUTBD LE Slat Wedge Replacement Locating Equipment \*[1]
2. Holding Fixture - Slat Structure Assembly Holding Fixture \*[2]

\*[1] A57003 supersedes MIT114T4111.

\*[2] Locally fabricated from wood or equivalent material. See Fig. 601 of REPAIR 10-1.

**57-43-55**

SPECIAL TOOLS

01.1

Page 901

Jun 01/97



ILLUSTRATED PARTS LIST

1. This section lists and illustrates replaceable or repairable component parts. The Illustrated Parts Catalog contains a complete explanation of the Boeing part numbering system.

2. Indentures show parts relationships as follows:

Assembly

Detail Parts for Assembly

Subassembly

Attaching Parts for Subassembly

Detail Parts for Subassembly

Detail Installation Parts (Included only if installation parts may be returned to shop as part of assembly)

3. One use code letter (A, B, C, etc.) is assigned in the EFF CODE column for each variation of top assembly. All listed parts are used on all top assemblies except when limitations are shown by use code letter opposite individual part entries.

4. Letter suffixes (alpha-variants) are added to item numbers for optional parts, Service Bulletin modification parts, configuration differences (except left- and right-hand parts), product improvement parts, and parts added between two sequential item numbers. The alpha-variant is not shown on illustrations when appearance and location of all variants of the part are the same.

5. Service Bulletin modifications are shown by the notations PRE SB XXXX and POST SB XXXX.

A. When a new top assembly part number is assigned by Service Bulletin, the notations appear at the top assembly level only. The configuration differences at detail part level are then shown by use code letter.

B. When the top assembly part number is not changed by the Service Bulletin, the notations appear at the detail part level.

6. Parts Interchangeability

Optional  
(OPT)

The parts are optional to and interchangeable with other parts having the same item number.

Supersedes, Superseded By  
(SUPSDS, SUPSD BY)

The part supersedes and is not interchangeable with the original part.

Replaces, Replaced By  
(REPLS, REPLD BY)

The part replaces and is interchangeable with, or is an alternate to, the original part.

## 7. Boeing Proprietary Color Coded Parts

| Color coded parts are identified with an alphabetic letter or "SP" suffix. The entry represents consolidation of all color codes applicable for a given usage. Orders for color coded parts should include the registry number of the airplane for which the parts are ordered.

**57-43-55**ILLUSTRATED PARTS LIST  
01.1 Page 1002  
Nov 01/01

VENDORS

OPTK6 SPS TECHNOLOGIES INC AEROSPACE PRODUCTS DIV  
5195 W 4700 SPO BOX 18459  
KEARNS, UTAH 84118

06725 AIR INDUSTRIES CORPORATION  
12570 KNOTT STREET  
GARDEN GROVE, CALIFORNIA 92641-3932  
FORMERLY AIR INDUSTRIES OF CALIF IN GARDENA, CALIF.

08524 DEUTSCH FASTENER CORP SEE CODE V97928

11815 CHERRY AEROSPACE FASTENERS DIV OF TEXTRON  
1224 EAST WARNER AVENUE PO BOX 2157  
SANTA ANA, CALIFORNIA 92707-0157  
FORMERLY IN LOS ANGELES, CALIF , FORMERLY CHERRY FASTENERS  
TOWNSEND DIV OF TEXTRON INC V71087

15653 KAYNAR TECHNOLOGY KAYNAR DIV  
800 SOUTH STATE COLLEGE BLVD PO BOX 3001  
FULLERTON, CALIFORNIA 92831-3001  
FORMERLY MICRODOT AEROSP LTD VK6405

5M902 FAIRCHILD IND INC FAIRCHILD AEROSPACE FASTENER DIV  
3016 W LOMITA BLVD  
TORRANCE, CALIFORNIA 90505-5103  
FMLY IN REDONDO BEACH, CALIF

52828 REPUBLIC FASTENER MFG CORP  
1300 RANCHO CONEJO BLVD  
NEWBURY PARK, CALIFORNIA 91320-1405  
FORMERLY IN SYLMAR, CALIFORNIA

56878 SPS TECHNOLOGIES INC AEROSPACE AND INDUSTRIAL PRODUCTS DIV  
HIGHLAND AVENUE  
JENKINTOWN, PENNSYLVANIA 19046  
FORMERLY STANDARD PRESSED STEEL

71087 BOOTS ACFT NUT DIV TOWNSEND CO SEE TEXTRON INC CHERRY  
FASTENER TOWNSEND DIV V11815

72962 HARVARD INDUSTRIES INC  
3 WERNER WAY SUITE 210  
LEBANON, NEW JERSEY 08833  
FORMERLY AMERACE CORP ESNA DIV  
FORMERLY ELASTIC STOP NUT IN UNION, NJ

57-43-55

ILLUSTRATED PARTS LIST  
01.1 Page 1003  
Nov 01/00

VENDORS

73197 HI-SHEAR TECHNOLOGY CORP  
2600 SKYPARK DRIVE  
TORRANCE, CALIFORNIA 90509

80539 SPS TECHNOLOGIES INC AEROSPACE PRODUCTS DIV  
2701 SOUTH HARBOR BOULEVARD PO BOX 1259  
SANTA ANA, CALIFORNIA 92702-1259  
FORMERLY NUTT-SHEL DIV OF SPC WESTERN CO V80539  
AND STANDARD PRESSED STEEL WESTERN DIV V17279

92215 FAIRCHILD IND INC FAIRCHILD AEROSPACE FASTENER DIV  
3010 W LOMITA BLVD  
TORRANCE, CALIFORNIA 90505-5102  
FORMERLY VOI-SHAN IN CULVER CITY, CALIF

**57-43-55**

ILLUSTRATED PARTS LIST  
01.1 Page 1004  
Nov 01/00

PART NUMBER	AIRLINE PART NO.	FIG.	ITEM	TTL REQ
AN960KD10		2	657G	4
		2	203G	4
AN960KD10L		2	367G	4
		3	166A	4
AN960PD10		3	287	4
		2	352	4
		2	512	2
		2	552	2
		2	600	16
		2	646	4
		2	776	1
		3	194	4
		3	274	4
		3	380	6
		3	420	6
		3	502	12
		3	540	1
		3	582	1
		3	694	1
		3	746	4
		3	786	4
		3	832	2
		4	184	4
		4	268	4
	4	386	6	
	4	426	6	
	4	466	1	
	4	512	1	
	4	636	1	
	4	688	4	
	4	728	4	
	4	792	5	
	4	808	5	
AN960PD10L		2	12	51
		2	68	11
		2	78	2
		2	135	2
		2	148	13
		2	238	4
		2	778	14
		2	822	2
		3	12	51
		3	54	2
		3	66	11
		3	110	2

**57-43-55**

ILLUSTRATED PARTS LIST  
01.1 Page 1005  
Nov 01/00

PART NUMBER	AIRLINE PART NO.	FIG.	ITEM	TTL REQ
AN960PD10L		3	696	14
		4	12	46
		4	13	5
		4	44	2
		4	58	11
		4	100	2
		4	638	14
AN960PD8L		2	662	8
		3	560	4
		3	602	4
		4	490	4
		4	536	4
BACB28AM07B020A		2	538A	1
		2	580A	1
		3	394	1
		3	434	1
		4	400	1
		4	440	1
BACB28AM13B023A		2	631L	2
BACB28AM13B040A		3	487	2
		3	760	1
BACB28AP05P019		3	800	1
		4	702	1
		4	742	1
		2	540A	1
		2	582A	1
		3	396	1
BACB28AP06P019		3	436	1
		4	402	1
		4	442	1
		4	402A	1
BACB28AP09P039		4	442A	1
		3	762	1
BACB28AT08B019C		3	802	1
		4	704	1
		4	744	1
		4	400A	1
BACB30FN5A3		4	440A	1
		2	660B	8
		3	558	4
		3	600	4
		4	488	4
	4	534	4	

# 57-43-55

 ILLUSTRATED PARTS LIST  
 01.1 Page 1006  
 Nov 01/00

PART NUMBER	AIRLINE PART NO.	FIG.	ITEM	TTL REQ
BACB30FN5A3N		3	556	4
		3	598	4
BACB30FN5A3N		4	486	4
		4	532	4
BACB30MY12K12		2	628A	4
		3	479	4
BACB30MY14K22		2	668A	4
BACB30MY6K		2	520	6
		2	562	6
		2	606	8
		2	652	2
		3	384	2
		3	424	4
		3	506	8
		3	544	1
		3	586	1
		3	750	4
		3	790	4
		4	390	2
		4	430	4
		4	474	1
		4	520	1
		4	692	4
		4	732	4
BACB30MY6K5		3	744	4
		3	784A	4
		4	686	4
		4	726	4
		4	778	4
BACB30MY6K6		2	624A	8
		3	471	8
BACB30MY6K9X		2	524A	1
		2	566A	1
BACB30ND5A3		2	660A	8
BACB30NM3K10		2	203	4
		2	367	4
		3	165	4
		3	286A	4
BACB30NN3K4		2	67	1
		2	146	11
		2	164	2
		2	820	5
		3	64	1
		3	122	13
		3	367	4

**57-43-55**

ILLUSTRATED PARTS LIST  
01.1 Page 1007  
Nov 01/00

PART NUMBER	AIRLINE PART NO.	FIG.	ITEM	TTL REQ	
BACB30NN3K4		3	674	5	
		4	56	1	
		4	112	13	
		4	372	4	
		4	616	5	
BACB30NN3K5		2	144	2	
		2	454	29	
		2	480	4	
		2	490	31	
		3	120	2	
		3	356	60	
		3	356A	63	
		4	110	2	
		4	360	63	
	BACB30NN3K6		2	134	2
		2	201	2	
		2	202	19	
		2	248	5	
		2	278	2	
		2	318	5	
		2	365	2	
		2	366	19	
		3	108	2	
		3	162	19	
		3	208	5	
		3	230	2	
		3	250	5	
		3	284	19	
		4	98	2	
		4	152	19	
		4	198	5	
		4	220	2	
		4	242	5	
		4	288	19	
BACB30NN3K8		4	10T	2	
BACB30NN3K9		2	205	2	
		2	369	2	
		3	167	2	
		3	288A	2	
BACB30NT3K22		4	10L	2	
		2	598	4	
	BACB30NT3K3		2	76	1
			2	344	3
			3	52	1
	3	149	20		

# 57-43-55

 ILLUSTRATED PARTS LIST  
 01.1 Page 1008  
 Nov 01/00



PART NUMBER	AIRLINE PART NO.	FIG.	ITEM	TTL REQ	
BACB30NT3K3		3	272	3	
		3	316	20	
		4	42	1	
		4	138	20	
		4	266	3	
		4	318	20	
	BACB30NT3K4		2	66	5
			2	268	8
			2	292	4
			2	346	1
		2	774	14	
		2	818	2	
		3	62	5	
		3	270	1	
		3	692	14	
		4	54	5	
BACB30NT3K5		4	264	1	
		4	634	14	
		2	176	21	
		2	236	1	
		2	348	1	
		2	394	21	
		3	148	1	
		3	192	2	
		3	228	4	
		3	268	2	
BACB30NT3K6		3	314	1	
		3	672	2	
		4	136	1	
		4	182	2	
		4	218	4	
		4	262	2	
		4	316	1	
		4	614	2	
		2	234	1	
		2	270	8	
	2	350	1		
	2	644	4		
	3	538	2		
	3	580	2		
	4	464	2		
	4	510	2		

**57-43-55**

PART NUMBER	AIRLINE PART NO.	FIG.	ITEM	TTL REQ
BACB30NT3K7		2	10	50
		2	204	72
BACB30NT3K7		2	250	20
		2	272	2
		2	320	22
		2	368	77
		3	10	50
		3	163	6
		3	164	72
		3	210	20
		3	248	22
		3	283	77
		3	285A	6
		4	10	46
		4	11	4
		4	154	78
		4	200	20
		4	240	22
BACB30NU3K3		4	286	83
		4	790	5
BACB30NU3K4		4	806	5
		2	657A	4
		3	88	2
		3	147	12
		3	312	12
		3	378	2
		3	418	2
		3	498	4
		4	78	2
		4	134	12
		4	314	12
		4	384	2
4	424	2		

**57-43-55**

 ILLUSTRATED PARTS LIST  
 01.1 Page 1010  
 Nov 01/00

PART NUMBER	AIRLINE PART NO.	FIG.	ITEM	TTL REQ	
BACB30NU3K5		2	96	1	
		2	106	1	
		2	174	12	
		2	232	2	
		2	282	3	
		2	342	2	
		2	392	11	
		2	510	2	
		2	550	2	
		2	596	8	
		3	190	2	
		3	266	2	
		3	376	4	
		3	416A	4	
		3	742	2	
	BACB30NU3K5		3	782	2
			3	830	2
			4	180	2
		4	260	2	
		4	382	4	
		4	422	4	
		4	684	2	
		4	724	2	
BACB30NU3K6		3	456	2	
		3	496	4	
		3	740	2	
		3	780	2	
		4	384A	2	
		4	424A	2	
		4	682	2	
		4	722	2	

PART NUMBER	AIRLINE PART NO.	FIG.	ITEM	TTL REQ
BACB30NU3K9		2	615	2
		3	455	2
BACB30NW5K		3	536A	2
		3	578A	2
		4	462	2
		4	508	2
BACB30NW5KE		2	424A	14
BACB30NW6K		2	284	1
		2	418	34
		2	508A	1
		2	560A	1
		2	604	16
		2	650	12
		2	853	10
		3	342	34
		3	386	6
		3	426	6
		3	508	16
		3	546	6
		3	588	6
		3	752	8
		3	792	8
		3	826	8
		4	342	34
		4	392	6
		4	432	6
		4	476	6
		4	522	6
		4	694	8
BACB30NW6K		4	734	8
		4	763	14
BACB30NW6K9X		4	764	8
		2	613	4
		3	451	4

# 57-43-55

 ILLUSTRATED PARTS LIST  
 01.1 Page 1012  
 Nov 01/00

PART NUMBER	AIRLINE PART NO.	FIG.	ITEM	TTL REQ
BACB30VF3K3		4	790A	5
		4	806A	5
BACB30VF3K5		4	180A	2
		4	260A	2
		4	382A	4
		4	422A	4
		4	684A	2
		4	724A	2
BACB30VF3K6		4	384B	2
		4	424B	2
		4	682A	2
		4	722A	2
BACB30VT6K5		3	753	4
		3	793	4
		4	695	4
		4	735	4
BACB30VT6K6		3	751	4
		3	791	6
		4	693	4
		4	733	6
BACB30VT6K8		3	749	2
		4	691	2
BACC10DK4		4	15	4
BACC30AG12		2	628G	4
		3	479G	4
BACC30BL6		3	755	10
		3	795	10
		4	697	10
		4	737	10
BACC30M14		2	680A	4
BACC30M5		2	426	14
		3	543	2
		3	585	2
		4	472	2
		4	518	2
BACC30M6		2	286	1
		2	420	34
		2	509	1
		2	522	6
		2	525	1

**57-43-55**

ILLUSTRATED PARTS LIST  
01.1 Page 1013  
Nov 01/00

PART NUMBER	AIRLINE PART NO.	FIG.	ITEM	TTL REQ
BACC30M6		2	564	7
		2	567	1
		2	608	24
		2	614A	4
		2	654	14
		2	855	10
		3	344	34
		3	388	8
		3	428	8
		3	453	4
		3	510	24
		3	548	7
		3	590	7
		3	754	12
		3	794	12
		3	828	8
		4	344	34
		4	394	8
		4	434	8
		4	478	7
		4	524	7
		4	696	12
		4	736	12
		4	766	8
	4	767	14	
BACF3F008E080NN		2	42	2
BACF3F008E130NN		2	38	1
BACF3F008E138NN		2	46	1
BACF3F008E179NN		2	40	1
BACF3F008E199NN		2	44	1
BACF3F009E080NN		3	44	2
		4	34	2
BACF3F009E179NN		2	48	1
		3	40A	2
		4	30	2
BACF3F009E199NN		3	42A	1
		4	32	1
BACF3F08N19		2	533	1
BACN10JC08		3	562	4
		3	604	4
		4	492	4
		4	538	4

**57-43-55**

 ILLUSTRATED PARTS LIST  
 01.1 Page 1014  
 Nov 01/00

PART NUMBER	AIRLINE PART NO.	FIG.	ITEM	TTL REQ
BACN10JC08CD		2	664A	8
		3	564	4
BACN10JC08CD		3	606	4
		4	492A	4
		4	494	4
		4	538A	4
		4	540	4

**57-43-55**

ILLUSTRATED PARTS LIST  
01.1 Page 1015  
Nov 01/00

PART NUMBER	AIRLINE PART NO.	FIG.	ITEM	TTL REQ
BACN10JC3		2	13A	1
		2	70	6
		2	80	1
		2	136	2
		2	150	13
		2	240	4
		2	354	4
		2	514	2
		2	554	2
		2	602	12
		2	616A	2
		2	622A	4
		2	625	8
		2	648	4
		2	657P	4
		2	782	10
		2	826	5
		3	13	1
		3	56	1
		3	68	5
		3	112	2
		3	196	4
		3	276	4
		3	382	6
		3	422	6
		3	457	2
		3	467	4
		3	473	8
		3	504	8
		3	542	2
		3	584	2
		3	678	5
		3	700	10
		3	748	8
		3	788	8
		3	834	2
		4	14	1
		4	46	1
		4	60	5
		4	102	2
	4	186	4	

# 57-43-55

 ILLUSTRATED PARTS LIST  
 01.1 Page 1016  
 Nov 01/00



PART NUMBER	AIRLINE PART NO.	FIG.	ITEM	TTL REQ	
BACN10JC3		4	270	4	
		4	388	6	
		4	428	6	
		4	470	2	
		4	516	2	
		4	620	5	
		4	642	10	
		4	690	8	
		4	730	8	
		4	780	6	
		4	794	5	
		4	810	5	
	BACN10JC3CD		4	14L	1
			4	46A	1
			4	60A	5
			4	102A	2
			4	186A	4
		4	270A	4	
		4	388A	6	
		4	428A	6	
		4	470A	2	
		4	516A	2	
		4	690A	8	
		4	730A	8	
		4	780A	6	
		4	794A	5	
BACN10JN3		4	810A	5	
		2	58	2	
		2	172	2	
		2	192	2	
		2	304	8	
		2	313	1	
		2	364	4	
		2	408	1	
		2	764	1	
		3	130	2	
		3	282K	4	
		3	370	4	
		3	622	2	
		3	632	5	
		3	648	6	
		4	116	2	
		4	284	4	
		4	376	4	
	4	556	2		

**57-43-55**

ILLUSTRATED PARTS LIST  
01.1 Page 1017  
Nov 01/00

PART NUMBER	AIRLINE PART NO.	FIG.	ITEM	TTL REQ
BACN10JN3		4	566	5
		4	582	6
BACN10JP3A		2	528G	8
		2	571	2
BACN10JQ32		2	56	43
		2	62	4
		2	302	2
		2	460	6
		2	466	2
		2	496	6
		2	502	2
		2	530A	4
		2	572A	6
		3	50	47
		3	96	2
		3	160	25
		3	330	24
		3	362	16
		3	634	1
		3	650	1
		4	40	47
		4	86	2
		4	150	25
		4	332	24
		4	366	16
		4	568	1
		4	584A	1
		2	104	1
BACN10JQ33		2	114	1
		2	190	8
		2	196	4
		2	260	1
		2	312	1
		2	316	4
		2	332	1
		2	406	8
		2	412	3
		2	484	4
		2	748	1
		2	762	3
		3	226	1
		3	264	1
		3	400	10
		3	440	10
		3	636	1

# 57-43-55

 ILLUSTRATED PARTS LIST  
 01.1 Page 1018  
 Nov 01/00

PART NUMBER	AIRLINE PART NO.	FIG.	ITEM	TTL REQ	
BACN10JQ33		3	652	3	
		3	766	18	
		3	806	18	
		4	216	1	
		4	258	1	
		4	406	10	
		4	446	10	
		4	570	1	
		4	586	3	
		4	708	18	
		4	748	18	
	BACN10JQ34		2	198	13
			2	220	18
			2	262	4
			2	330	4
			2	384	18
		2	414	12	
		2	468	15	
		2	503	16	
		2	529	8	
		2	573	8	
		2	746	8	
		2	760	8	
		3	182	17	
		3	224A	4	
		3	263	4	
		3	306	17	
		3	360	31	
		3	360A	34	
		3	402	6	
		3	442	8	
		3	638	2	
		3	654	3	
		4	174	17	
		4	214	4	
	4	256	4		
	4	308	17		
	4	364	34		
	4	408	6		
	4	448	8		
	4	572	2		
	4	588	3		

**57-43-55**

ILLUSTRATED PARTS LIST  
01.1 Page 1019  
Nov 01/00

PART NUMBER	AIRLINE PART NO.	FIG.	ITEM	TTL REQ
BACN10JQ35		2	224	25
		2	264	14
		2	334	16
BACN10JQ35		2	386	28
		2	574A	6
		3	184	26
		3	222	14
		3	262	16
		3	304	29
		4	176	26
		4	212	14
		4	254	16
		4	306	29
BACN10JQ36		2	222	10
		2	266	6
		2	336	6
		2	388	10
		3	186	10
		3	220	6
		3	260	6
		3	302	10
		4	178	10
		4	210	6
		4	252	6
		4	304	10

**57-43-55**

PART NUMBER	AIRLINE PART NO.	FIG.	ITEM	TTL REQ	
BACN10KH3		2	54	2	
		2	60	2	
		2	194	2	
		2	200	1	
		2	218	4	
		2	306	10	
		2	314	1	
		2	382	4	
		2	410	2	
		2	416	1	
		2	462	2	
		2	470	2	
		2	498	2	
		2	503G	2	
		2	750	2	
		2	766	3	
		3	48	2	
		3	180	4	
		3	245	2	
		3	308	4	
		3	364	4	
		3	404	2	
		3	444	2	
	BACN10KH3		3	624	2
			3	640	3
			3	656	3
			3	768	4
			3	808	4
			4	38	2
			4	170	4
			4	236	2
			4	310	4
			4	368	4
		4	410	2	
		4	450	2	
		4	558	2	
		4	574	3	
		4	590	3	
	4	710	4		
	4	750	4		

**57-43-55**

ILLUSTRATED PARTS LIST  
01.1 Page 1021  
Nov 01/00

PART NUMBER	AIRLINE PART NO.	FIG.	ITEM	TTL REQ
BACN10YF32		4	40A	47
		4	86A	2
		4	150A	25
		4	332A	24
		4	366A	16
BACN10YF33		4	216A	1
		4	258A	1
		4	406A	10
		4	446A	10
BACN10YF34		4	174A	17
		4	214A	4
		4	256A	4
		4	308A	17
		4	364A	34
		4	408A	6
		4	448A	8
		4	176A	26
BACN10YF35		4	212A	14
		4	254A	16
		4	306A	29
		4	178A	10
BACN10YF36		4	210A	6
		4	252A	6
		4	304A	10
		4	304A	10

# 57-43-55

 ILLUSTRATED PARTS LIST  
 01.1 Page 1022  
 Nov 01/00



**BOEING**  
COMPONENT  
MAINTENANCE MANUAL

PART NUMBER	AIRLINE PART NO.	FIG.	ITEM	TTL REQ
BACR15BA3AD		2	50	90
		2	52	8
		2	53	8
		2	102	2
BACR15BA3AD		2	112	2
		2	170	4
		2	186	44
		2	188	8
		2	189	8
		2	216	114
		2	258	50
		2	300	40
		2	310	14
		2	328	54
		2	362	8
		2	380	120
		2	402	42
		2	404	6
		2	405	6
		2	456	46
		2	458	4
		2	459	4
		2	482	8
		2	492	52
		2	494	4
		2	528	40
		2	570	44
		2	744	22
		2	758	30
		3	46	100
		3	94	4
		3	128	4
		3	159	50
		3	175	8
		3	179	114
		3	219	50
		3	239	4
		3	259G	54
	3	282G	8	
	3	301	120	
	3	325	48	
	3	358	100	
	3	358A	106	
	3	368	8	
	3	398	36	
	3	438	40	

**57-43-55**

ILLUSTRATED PARTS LIST  
01.1 Page 1023  
Nov 01/00

PART NUMBER	AIRLINE PART NO.	FIG.	ITEM	TTL REQ	
BACR15BA3AD		3	620	8	
		3	630	24	
		3	646	32	
		3	764	44	
		3	804	44	
		4	36A	100	
		4	84	4	
		4	114	4	
		4	148	50	
		4	162	8	
		4	168	114	
		4	208	50	
		4	234	4	
		4	250	54	
		4	282	8	
		4	302	120	
		4	330	48	
		4	362	106	
		4	374	8	
	BACR15BA5A		4	404	36
		4	444	40	
		4	554	8	
		4	564	24	
		4	580	32	
		4	706	44	
		4	746	44	
BACR15BA5AD			2	837	4
			3	666	4
BACR15BA5AD			4	608	4
		2	212	2	
		2	376	2	
BACR15BB3AD		3	294	2	
		4	296	2	
		2	844	4	
		3	732	4	
BACR15BB4A		4	674	4	
		2	847	4	
		3	816	4	
BACR15BB5AD		4	758	4	
		2	535	5	
		2	577	5	
BACR15CE5AD		2	620A	8	
		3	86A	17	
		3	463	8	
		4	76A	17	
		4	782	4	

# 57-43-55

 ILLUSTRATED PARTS LIST  
 01.1 Page 1024  
 Nov 01/00



PART NUMBER	AIRLINE PART NO.	FIG.	ITEM	TTL REQ		
BACR15CE5KE		2	98	9		
		2	108	9		
BACR15CE5KE		2	178	1		
		2	280	10		
		2	288	4		
		2	391	1		
		2	422	116		
		2	428	14		
		2	516A	6		
		2	556A	6		
		2	851	8		
		3	86	17		
		3	151	1		
		3	197	6		
		3	233	14		
		3	317	1		
		3	346	130		
		3	822	8		
		3	824	8		
		4	76	17		
		4	140	1		
		4	188	6		
		4	224	14		
		4	320	1		
		4	346	130		
		4	762	8		
		4	800	6		
		BACR15CE6KE		2	228	6
				2	338	6
2	849			118		
3	277			6		
3	818			119		
3	820			4		
4	272			6		
4	760			123		
4	761			109		
BACR15FT5AD				2	180	9
		2	290	32		
		2	294	4		
		2	393	9		
		2	656	10		
		3	151G	9		
		3	197G	42		
		3	233G	48		
		3	317G	9		
		4	142	9		
		4	190	42		

**57-43-55**

ILLUSTRATED PARTS LIST  
01.1 Page 1025  
Nov 01/00

PART NUMBER	AIRLINE PART NO.	FIG.	ITEM	TTL REQ
BACR15FT5AD		4	226	48
		4	322	9
BACR15FT6AD		2	230	42
		2	340	38
		2	610	20
		3	277G	38
		3	390	10
		3	430	10
		3	512	20
		3	550	5
		3	592	5
		4	274	38
		4	396	10
		4	436	10
		4	480	5
		4	526	5
BACS12ER3C15		2	621	4
		3	465	4
BACS12ER3K16		4	776	2
BACS4OR009C009F		4	350A	2
BACS4OR009C018F		4	348A	7
		4	398A	1
		4	438A	1
BACS4OR009C025F		4	700A	1
		4	740A	1
BACS4OR014C009F		4	482A	1
		4	528A	1
BACS4OR07D10F		2	527	1
BACS4OR08C16F		2	612A	2
BACS4OR08C34F		2	617	2
		3	459	2
BACS4OR08C37F		2	436	2
BACS4OR08C56F		2	434	1
BACS4OR08D17F		2	526A	1
BACS4OR08D24F		2	534A	1
		2	576G	1
BACS4OR08E17F		2	568A	1
BACS4OR08E21F		2	575	1
BACS4OR09C09F		2	432	2
		3	348	2
		4	350	2
BACS4OR09C18F		2	430	7
		3	347	7
		3	392	1
		3	432	1

# 57-43-55

 ILLUSTRATED PARTS LIST  
 01.1 Page 1026  
 Nov 01/00

PART NUMBER	AIRLINE PART NO.	FIG.	ITEM	TTL REQ		
BACS4OR09C18F		3	514	2		
		4	348	7		
		4	398	1		
		4	438	1		
BACS4OR09C25F		3	758	1		
		3	798	1		
		4	700	1		
		4	740	1		
BACS4OR09D09F		2	569	1		
		2	629	1		
BACS4OR12C26F		3	481	1		
		2	629G	1		
BACS4OR12C28F		3	481G	1		
		2	658	2		
BACS4OR14C09F		3	552	1		
		3	594	1		
		4	482	1		
		4	528	1		
BACS4OR18E19F BACW10P43AL		2	532A	1		
		2	646A	4		
		2	780	8		
		2	824	7		
		3	541	1		
		3	583	1		
		3	676A	7		
		3	698	8		
		4	468	1		
		4	514	1		
		4	618	7		
		4	640	8		
		BRFM20A3		2	58	2
				2	172	2
2	192			2		
2	304			8		
2	313			1		
2	364			4		
2	408			1		
2	764			1		
3	130			2		
3	282K			4		
3	370			4		
3	622			2		
3	632			5		
3	648			6		
4	116	2				

**57-43-55**

ILLUSTRATED PARTS LIST  
01.1 Page 1027  
Nov 01/00

PART NUMBER	AIRLINE PART NO.	FIG.	ITEM	TTL REQ
BRFM20A3		4	284	4
		4	376	4
		4	556	2
		4	566	5
		4	582	6
BRH10A08		3	562	4
		3	604	4
		4	492	4
		4	538	4
BRH10A3		2	13A	1
		2	70	6
		2	80	1
		2	136	2
		2	150	13
		2	240	4
		2	354	4
		2	514	2
		2	554	2
		2	602	12
		2	616A	2
		2	622A	4
		2	625	8
		2	648	4
		2	657P	4
		2	782	10
		2	826	5
		3	13	1
		3	56	1
		3	68	5
		3	112	2
		3	196	4
		3	276	4
		3	382	6
		3	422	6
		3	457	2
		3	467	4
	3	473	8	
	3	504	8	
	3	542	2	
	3	584	2	
	3	678	5	
	3	700	10	
	3	748	8	
	3	788	8	
	3	834	2	

# 57-43-55

 ILLUSTRATED PARTS LIST  
 01.1 Page 1028  
 Nov 01/00

PART NUMBER	AIRLINE PART NO.	FIG.	ITEM	TTL REQ	
BRH10A3		4	14	1	
		4	46	1	
		4	60	5	
		4	102	2	
		4	186	4	
		4	270	4	
		4	388	6	
		4	428	6	
		4	470	2	
		4	516	2	
		4	620	5	
		4	642	10	
		4	690	8	
		4	730	8	
		4	780	6	
		4	794	5	
		4	810	5	
	BRM200A3		2	528G	8
			2	571	2
	F29779-3		3	768	4
		3	808	4	
		4	38	2	
		4	170	4	
		4	236	2	
		4	310	4	
		4	368	4	
		4	410	2	
		4	450	2	
		4	558	2	
		4	574	3	
		4	590	3	
		4	710	4	
		4	750	4	
HL10VAZ6-6			2	624A	8
		3	471	8	
HL110AZ6-9		2	524A	1	
		2	566A	1	
HL19-5A3		2	660B	8	
		3	558	4	
		3	600	4	
		4	488	4	
		4	534	4	

**57-43-55**

PART NUMBER	AIRLINE PART NO.	FIG.	ITEM	TTL REQ
HL19-5A3N		3	556	4
		3	598	4
		4	486	4
		4	532	4
HL41PY5-3		2	660B	8
		3	558	4
		3	600	4
		4	488	4
		4	534	4
HL441N5-3		2	660B	8
		3	556	4
		3	558	4
		3	598	4
		3	600	4
		4	486	4
		4	488	4
		4	532	4
		4	534	4
		2	660B	8
HL441UC5-3		3	558	4
		3	600	4
		4	488	4
		4	534	4
		2	660A	8
		2	426	14
HL445PB5-3 HL70-5		3	543	2
		3	585	2
		4	472	2
		4	518	2
		2	680A	4
HL79-14 HL79-5		2	426	14
		3	543	2
		3	585	2
		4	472	2
		4	518	2
		4	518	2

# 57-43-55

 ILLUSTRATED PARTS LIST  
 01.1 Page 1030  
 Nov 01/00

PART NUMBER	AIRLINE PART NO.	FIG.	ITEM	TTL REQ	
HL79-6		2	286	1	
		2	420	34	
		2	509	1	
		2	522	6	
		2	525	1	
		2	564	7	
		2	567	1	
		2	608	24	
		2	614A	4	
		2	654	14	
		2	855	10	
		3	344	34	
		3	388	8	
		3	428	8	
		3	453	4	
		3	510	24	
		3	548	7	
		3	590	7	
		3	754	12	
		3	794	12	
		3	828	8	
		4	344	34	
		4	394	8	
		4	434	8	
		4	478	7	
		4	524	7	
		4	696	12	
		4	736	12	
		4	766	8	
		4	767	14	
	HL82-12APBW		2	628G	4
			3	479G	4
	HST10AG6-5		3	753	4
			3	793	4
		4	695	4	
		4	735	4	
HST10AG6-6		3	751	4	
		3	791	6	
		4	693	4	
		4	733	6	
HST10AG6-8		3	749	2	
		4	691	2	

**57-43-55**

ILLUSTRATED PARTS LIST  
01.1 Page 1031  
Nov 01/00

PART NUMBER	AIRLINE PART NO.	FIG.	ITEM	TTL REQ
HST79-6		3	755	10
		3	795	10
		4	697	10
		4	737	10
HST79CY6		3	755	10
		3	795	10
		4	697	10
		4	737	10
H10-08BAC		3	562	4
		3	604	4
		4	492	4
		4	538	4
H10-3BAC		2	13A	1
		2	70	6
		2	80	1
		2	136	2
		2	150	13
		2	240	4
		2	354	4
		2	514	2
		2	554	2
		2	602	12
		2	616A	2
		2	622A	4
		2	625	8
		2	648	4
		2	657P	4
		2	782	10
		2	826	5
		3	13	1
		3	56	1
		3	68	5
	3	112	2	
	3	196	4	
	3	276	4	
	3	382	6	
	3	422	6	
	3	457	2	
	3	467	4	
	3	473	8	
	3	504	8	
	3	542	2	
	3	584	2	
	3	678	5	

# 57-43-55

 ILLUSTRATED PARTS LIST  
 01.1 Page 1032  
 Nov 01/00



PART NUMBER	AIRLINE PART NO.	FIG.	ITEM	TTL REQ
H10-3BAC		3	700	10
		3	748	8
		3	788	8
		3	834	2
		4	14	1
		4	46	1
		4	60	5
		4	102	2
		4	186	4
		4	270	4
		4	388	6
		4	428	6
		4	470	2
		4	516	2
		4	620	5
		4	642	10
		4	690	8
		4	730	8
		4	780	6
		4	794	5
	4	810	5	
L800X6K9		2	524A	1
		2	566A	1
L8006K6		2	624A	8
		3	471	8
L839-5A3		2	660B	8
		3	558	4
		3	600	4
		4	488	4
		4	534	4

**57-43-55**

ILLUSTRATED PARTS LIST  
01.1 Page 1033  
Nov 01/00

PART NUMBER	AIRLINE PART NO.	FIG.	ITEM	TTL REQ
L839-5A3N		3	556	4
		3	598	4
		4	486	4
		4	532	4
MF1000-3BAC		2	58	2
		2	172	2
		2	192	2
		2	304	8
		2	313	1
		2	364	4
		2	408	1
		2	764	1
		3	130	2
		3	282K	4
		3	370	4
		3	622	2
		3	632	5
		3	648	6
		4	116	2
		4	284	4
		4	376	4
		4	556	2
		4	566	5
		4	582	6
MF19058-3-2BAC		4	40A	47
		4	86A	2
		4	150A	25
		4	332A	24
MF19058-3-3BAC		4	366A	16
		4	216A	1
		4	258A	1
		4	406A	10
MF19058-3-4BAC		4	446A	10
		4	174A	17
		4	214A	4
		4	256A	4
MF19058-3-4BAC		4	308A	17
		4	364A	34
		4	408A	6
		4	448A	8
MF19058-3-5BAC		4	176A	26
		4	212A	14
		4	254A	16
		4	306A	29

# 57-43-55

 ILLUSTRATED PARTS LIST  
 01.1 Page 1034  
 Nov 01/00

PART NUMBER	AIRLINE PART NO.	FIG.	ITEM	TTL REQ
MF19058-3-6BAC		4	178A	10
		4	210A	6
		4	252A	6
		4	304A	10
MF53049-3		2	58	2
		2	172	2
		2	192	2
		2	304	8
		2	313	1
		2	364	4
		2	408	1
		2	764	1
		3	130	2
		3	282K	4
		3	370	4
		3	622	2
		3	632	5
		3	648	6
		4	116	2
		4	284	4
		4	376	4
		4	556	2
		4	566	5
		4	582	6
MK1000-3BAC		2	528G	8
		2	571	2
MS27253-1		2	845	1
		3	734	1
		4	676	1
NAS1149DN816J		4	490A	4
		4	536A	4
NAS1149D0332J		4	12L	1
		4	44A	2
		4	58A	11
		4	100A	2
NAS1149D0362J		4	12A	46
NAS1149D0363J		4	184A	4
		4	268A	4
NAS1149D0363J		4	386A	6
		4	426A	6
		4	466A	1
		4	512A	1
		4	688A	4
		4	728A	4
		4	792A	5
		4	808A	5

**57-43-55**

ILLUSTRATED PARTS LIST  
01.1 Page 1035  
Nov 01/00

PART NUMBER	AIRLINE PART NO.	FIG.	ITEM	TTL REQ	
NAS1195DD3KH		2	226A	2	
		2	308	6	
		2	390	2	
		2	464	2	
		2	472	2	
		2	500	2	
		2	503K	2	
		2	752	4	
		2	768	7	
		3	181	2	
		3	247	2	
		3	310	2	
		3	366	4	
		3	406	4	
		3	446	4	
		3	770	2	
		3	810	2	
		4	172	2	
		4	238	2	
		4	312	2	
		4	370	4	
		4	412	4	
		4	452	4	
		4	712	2	
		4	752	2	
	NAS1195DD3WH		2	531	8
	NAS1398D6-2		2	865	24
NS103197-02		2	528G	8	
		2	571	2	
NS103218-02		2	58	2	
		2	172	2	
		2	192	2	
		2	304	8	
		2	313	1	
		2	364	4	
		2	408	1	
		2	764	1	
		3	130	2	

# 57-43-55

 ILLUSTRATED PARTS LIST  
 01.1 Page 1036  
 Nov 01/00

PART NUMBER	AIRLINE PART NO.	FIG.	ITEM	TTL REQ	
NS103218-02		3	282K	4	
		3	370	4	
		3	622	2	
		3	632	5	
		3	648	6	
		4	116	2	
		4	284	4	
		4	376	4	
		4	556	2	
		4	566	5	
		4	582	6	
	NS103225-02		2	54	2
			2	60	2
			2	194	2
			2	200	1
		2	218	4	
		2	306	10	
		2	314	1	
		2	382	4	
		2	410	2	
		2	416	1	
		2	462	2	
		2	470	2	
		2	498	2	
		2	503G	2	
		2	750	2	
		2	766	3	
		3	48	2	
		3	180	4	
		3	245	2	
		3	308	4	
		3	364	4	
		3	404	2	
		3	444	2	
		3	624	2	
	3	640	3		
	3	656	3		
	3	768	4		
	3	808	4		
	4	38	2		
	4	170	4		
	4	236	2		
	4	310	4		
	4	368	4		
	4	410	2		

**57-43-55**

ILLUSTRATED PARTS LIST  
01.1 Page 1037  
Nov 01/00

PART NUMBER	AIRLINE PART NO.	FIG.	ITEM	TTL REQ
NS103225-02		4	450	2
		4	558	2
		4	574	3
		4	590	3
		4	710	4
		4	750	4
NS202101-02		2	13A	1
		2	70	6
		2	80	1
		2	136	2
		2	150	13
		2	240	4
		2	354	4
		2	514	2
		2	554	2
		2	602	12
		2	616A	2
		2	622A	4
		2	625	8
		2	648	4
		2	657P	4
		2	782	10
		2	826	5
		3	13	1
		3	56	1
		3	68	5
		3	112	2
		3	196	4
		3	276	4
		3	382	6
		3	422	6
		3	457	2
		3	467	4
		3	473	8
		3	504	8
		3	542	2
	3	584	2	
	3	678	5	
	3	700	10	
	3	748	8	
	3	788	8	
	3	834	2	
	4	14	1	
	4	46	1	
	4	60	5	

# 57-43-55

 ILLUSTRATED PARTS LIST  
 01.1 Page 1038  
 Nov 01/00

PART NUMBER	AIRLINE PART NO.	FIG.	ITEM	TTL REQ	
NS202101-02		4	102	2	
		4	186	4	
		4	270	4	
		4	388	6	
		4	428	6	
		4	470	2	
		4	516	2	
		4	620	5	
		4	642	10	
		4	690	8	
		4	730	8	
		4	780	6	
		4	794	5	
		4	810	5	
	NS202101-82		3	562	4
			3	604	4
			4	492	4
	RMA9201M3		4	538	4
			2	528G	8
	RMF9201M3		2	571	2
		2	58	2	
		2	172	2	
		2	192	2	
		2	304	8	
		2	313	1	
		2	364	4	
		2	408	1	
		2	764	1	
		3	130	2	
		3	282K	4	
		3	370	4	
		3	622	2	
		3	632	5	
		3	648	6	
		4	116	2	
	4	284	4		
	4	376	4		
	4	556	2		
	4	566	5		
	4	582	6		

**57-43-55**

PART NUMBER	AIRLINE PART NO.	FIG.	ITEM	TTL REQ	
RMF9209M3		2	54	2	
		2	60	2	
		2	194	2	
		2	200	1	
		2	218	4	
		2	306	10	
		2	314	1	
		2	382	4	
		2	410	2	
		2	416	1	
		2	462	2	
		2	470	2	
		2	498	2	
		2	503G	2	
		2	750	2	
		2	766	3	
		3	48	2	
		3	180	4	
		3	245	2	
		3	308	4	
		3	364	4	
		3	404	2	
		3	444	2	
		3	624	2	
		3	640	3	
	RMF9209M3		3	656	3
			3	768	4
		3	808	4	
		4	38	2	
		4	170	4	
		4	236	2	
		4	310	4	
		4	368	4	
		4	410	2	
		4	450	2	
		4	558	2	
		4	574	3	
		4	590	3	
	4	710	4		
	4	750	4		

**57-43-55**

ILLUSTRATED PARTS LIST  
 01.1 Page 1040  
 Nov 01/00



015T1507  
114T4104

 **BOEING**  
COMPONENT  
MAINTENANCE MANUAL

PART NUMBER	AIRLINE PART NO.	FIG.	ITEM	TTL REQ
RMLH9075-3W		2	13A	1
		2	70	6
		2	80	1
		2	136	2
		2	150	13
		2	240	4
		2	354	4
		2	514	2
		2	554	2
		2	602	12
		2	616A	2
		2	622A	4
		2	625	8
		2	648	4
		2	657P	4
		2	782	10
		2	826	5
		3	13	1
		3	56	1
		3	68	5
		3	112	2
		3	196	4
		3	276	4
		3	382	6
		3	422	6
		3	457	2
		3	467	4
		3	473	8
		3	504	8

**57-43-55**

ILLUSTRATED PARTS LIST  
01.1 Page 1040A  
Nov 01/00

PART NUMBER	AIRLINE PART NO.	FIG.	ITEM	TTL REQ
RMLH9075-3W		3	542	2
		3	584	2
		3	678	5
		3	700	10
		3	748	8
		3	788	8
		3	834	2
		4	14	1
		4	46	1
		4	60	5
		4	102	2
		4	186	4
		4	270	4
		4	388	6
		4	428	6
		4	470	2
		4	516	2
		4	620	5
		4	642	10
		4	690	8
		4	730	8
		4	780	6
		4	794	5
	4	810	5	
RMLH9075-82W		3	562	4
		3	604	4
		4	492	4
		4	538	4
T6S1032J		2	13A	1
		2	70	6
		2	80	1
		2	136	2
		2	150	13
		2	240	4
		2	354	4
		2	514	2
		2	554	2
		2	602	12
		2	616A	2
		2	622A	4
		2	625	8
		2	648	4
	2	657P	4	
	2	782	10	
	2	826	5	

# 57-43-55

 ILLUSTRATED PARTS LIST  
 01.1 Page 1040B  
 Nov 01/00

PART NUMBER	AIRLINE PART NO.	FIG.	ITEM	TTL REQ	
T6S1032J		3	13	1	
		3	56	1	
		3	68	5	
		3	112	2	
		3	196	4	
		3	276	4	
		3	382	6	
		3	422	6	
		3	457	2	
		3	467	4	
		3	473	8	
		3	504	8	
		3	542	2	
		3	584	2	
		3	678	5	
		3	700	10	
		3	748	8	
		3	788	8	
		3	834	2	
		4	14	1	
		4	46	1	
		4	60	5	
		4	102	2	
		4	186	4	
		4	270	4	
		4	388	6	
		4	428	6	
		4	470	2	
		4	516	2	
		4	620	5	
		4	642	10	
		4	690	8	
		4	730	8	
		4	780	6	
		4	794	5	
		4	810	5	
	T6S832J		3	562	4
			3	604	4
			4	492	4
	T8076S1032		4	538	4
			2	528G	8
			2	571	2

**57-43-55**

ILLUSTRATED PARTS LIST  
01.1 Page 1040C  
Nov 01/00

PART NUMBER	AIRLINE PART NO.	FIG.	ITEM	TTL REQ
VN202A1-02		2	528G	8
		2	571	2
VN252A02		2	58	2
VN252A02		2	172	2
		2	192	2
		2	304	8
		2	313	1
		2	364	4
		2	408	1
		2	764	1
		3	130	2
		3	282K	4
		3	370	4
		3	622	2
		3	632	5
		3	648	6
		4	116	2
		4	284	4
		4	376	4
		4	556	2
		4	566	5
		4	582	6

**57-43-55**

PART NUMBER	AIRLINE PART NO.	FIG.	ITEM	TTL REQ
VN303A02		2	13A	1
		2	70	6
		2	80	1
		2	136	2
		2	150	13
		2	240	4
		2	354	4
		2	514	2
		2	554	2
		2	602	12
		2	616A	2
		2	622A	4
		2	625	8
		2	648	4
		2	657P	4
		2	782	10
		2	826	5
		3	13	1
		3	56	1
		3	68	5
		3	112	2
		3	196	4
		3	276	4
		3	382	6
		3	422	6
		3	457	2

**57-43-55**

ILLUSTRATED PARTS LIST  
01.1 Page 1040E  
Nov 01/00

PART NUMBER	AIRLINE PART NO.	FIG.	ITEM	TTL REQ
VN303A02		3	467	4
		3	473	8
		3	504	8
		3	542	2
		3	584	2
		3	678	5
		3	700	10
		3	748	8
		3	788	8
		3	834	2
		4	14	1
		4	46	1
		4	60	5
		4	102	2
		4	186	4
		4	270	4
		4	388	6
		4	428	6
		4	470	2
		4	516	2
		4	620	5
		4	642	10
		4	690	8
		4	730	8
		4	780	6
		4	794	5
	4	810	5	
VN303A82		3	562	4
		3	604	4
		4	492	4
012T2400-43		4	538	4
		2	631P	2
012T2400-45		3	488A	2
		2	708A	2
		2	728A	2
		3	554	2
		3	596	2
		4	484	2
015T1507-401		4	530	2
		1	1T	RF
015T1507-402		2	1A	RF
		1	5T	RF
015T1507-403		2	5A	RF
		1	1U	RF
		2	1B	RF

# 57-43-55

 ILLUSTRATED PARTS LIST  
 01.1 Page 1040F  
 Nov 01/00

PART NUMBER	AIRLINE PART NO.	FIG.	ITEM	TTL REQ
015T1507-404		1	5U	RF
		2	5B	RF
015T1507-405		1	1V	RF
		2	1C	RF
015T1507-406		1	5V	RF
		2	5C	RF
015T1507-407		1	1Z	RF
		3	1B	RF
015T1507-408		1	5Z	RF
		3	5B	RF
015T1507-409		1	2	RF
		3	1C	RF
015T1507-410		1	6	RF
		3	5C	RF
015T1507-411		1	2A	RF
		3	1D	RF
015T1507-412		1	6A	RF
		3	5D	RF
015T1507-413		1	2E	RF
		3	1H	RF
015T1507-414		1	6E	RF
		3	5J	RF
015T1507-415		1	2G	RF
		4	1Q	RF
015T1507-416		1	6G	RF
		4	5Q	RF
015T1507-417		1	2J	RF
		4	1S	RF
015T1507-418		1	6J	RF
		4	5S	RF
015T1507-419		1	2L	RF
		4	1U	RF
015T1507-420		1	6L	RF
		4	5U	RF
015T1507-421		1	2N	RF
		4	1W	RF

**57-43-55**

ILLUSTRATED PARTS LIST  
01.1 Page 1040G  
Nov 01/00

PART NUMBER	AIRLINE PART NO.	FIG.	ITEM	TTL REQ
015T1507-422		1	6N	RF
		4	5W	RF
015T1507-425		1	2Q	RF
		4	1Y	RF
015T1507-426		1	6Q	RF
		4	5Y	RF
015T1507-427		1	2R	RF
		4	1Z	RF
015T1507-428		1	6R	RF
015T1507-428		4	5Z	RF
015T1507-429		1	2S	RF
		4	2	RF
015T1507-430		1	6S	RF
		4	6	RF
015T1507-431		1	2W	RF
		4	2D	RF
015T1507-432		1	6W	RF
		4	6D	RF
015T1507-433		1	2Y	RF
		4	2F	RF
015T1507-434		1	6Y	RF
		4	6F	RF
015T1507-435		1	3	RF
		4	2H	RF
015T1507-436		1	7	RF
		4	6H	RF
015T1507-437		1	3B	RF
		4	2K	RF
015T1507-438		1	7B	RF
		4	6K	RF
015T1507-439		1	3D	RF
		4	2M	RF
015T1507-440		1	7D	RF
		4	6M	RF
015T1507-441		1	3F	RF
		4	2P	RF

# 57-43-55

 ILLUSTRATED PARTS LIST  
 01.1 Page 1040H  
 Nov 01/00



PART NUMBER	AIRLINE PART NO.	FIG.	ITEM	TTL REQ
015T1507-442		1	7F	RF
		4	6P	RF
015T1507-443		1	1W	RF
		2	1D	RF
015T1507-444		1	5W	RF
		2	5D	RF
015T1507-445		1	1X	RF
		2	1E	RF
015T1507-446		1	5X	RF
		2	5E	RF
015T1507-447		1	1Y	RF
		2	1F	RF
015T1507-448		1	5Y	RF
		2	5F	RF
015T1507-449		1	2B	RF
		3	1E	RF
015T1507-450		1	6B	RF
		3	5F	RF
015T1507-451		1	2C	RF
		3	1F	RF
015T1507-452		1	6C	RF
		3	5G	RF
015T1507-453		1	2D	RF
		3	1G	RF
015T1507-454		1	6D	RF
		3	5H	RF
015T1507-455		1	2F	RF
		3	1J	RF
015T1507-456		1	6F	RF
		3	5K	RF
015T1507-457		1	2H	RF
		4	1R	RF
015T1507-458		1	6H	RF
		4	5R	RF
015T1507-459		1	2K	RF
		4	1T	RF

**57-43-55**

ILLUSTRATED PARTS LIST  
01.1 Page 1040I  
Nov 01/00

PART NUMBER	AIRLINE PART NO.	FIG.	ITEM	TTL REQ
015T1507-460		1	6K	RF
		4	5T	RF
015T1507-461		1	2M	RF
		4	1V	RF
015T1507-462		1	6M	RF
		4	5V	RF
015T1507-463		1	2P	RF
		4	1X	RF
015T1507-464		1	6P	RF
		4	5X	RF
015T1507-465		1	2T	RF
		4	2A	RF
015T1507-466		1	6T	RF
		4	6A	RF
015T1507-467		1	2U	RF
		4	2B	RF
015T1507-468		1	6U	RF
		4	6B	RF
015T1507-469		1	2V	RF
		4	2C	RF
015T1507-470		1	6V	RF
		4	6C	RF
015T1507-471		1	2X	RF
		4	2E	RF
015T1507-472		1	6X	RF
		4	6E	RF
015T1507-473		1	2Z	RF
015T1507-473		4	2G	RF
015T1507-474		1	6Z	RF
		4	6G	RF
015T1507-475		1	3A	RF
		4	2J	RF
015T1507-476		1	7A	RF
		4	6J	RF
015T1507-477		1	3C	RF
		4	2L	RF
015T1507-478		1	7C	RF
		4	6L	RF
015T1507-479		1	3E	RF
		4	2N	RF
015T1507-480		1	7E	RF
		4	6N	RF

# 57-43-55

 ILLUSTRATED PARTS LIST  
 01.1 Page 1040J  
 Nov 01/00

PART NUMBER	AIRLINE PART NO.	FIG.	ITEM	TTL REQ
015T1507-481		1	3G	RF
		4	2Q	RF
015T1507-482		1	7G	RF
		4	6Q	RF
114T4104-1		1	1A	RF
		2	1	RF
114T4104-14SP		1	5	RF
		2	5	RF
114T4104-21SP		1	1A	RF
		3	1	RF
114T4104-22SP		1	5A	RF
		3	5	RF
114T4104-23		1	1B	RF
		3	1A	RF
114T4104-24		1	5B	RF
		3	5A	RF
114T4104-25		1	1C	RF
		4	1	RF
114T4104-26		1	5C	RF
		4	5	RF
114T4104-27SP		1	1D	RF
		4	1A	RF
114T4104-28SP		1	5D	RF
		4	5A	RF
114T4104-29		1	1E	RF
		4	1B	RF
114T4104-30		1	5E	RF
		4	5B	RF
114T4104-33		1	1F	RF
114T4104-33		4	1C	RF
114T4104-34		1	5F	RF
		4	5C	RF
114T4104-37SP		1	1H	RF
		4	1E	RF
114T4104-38SP		1	5H	RF
		4	5E	RF
114T4104-39		1	1J	RF
		4	1F	RF
114T4104-40		1	5J	RF
		4	5F	RF
114T4104-401SP		1	3K	RF
		4	2T	RF
114T4104-402SP		1	7K	RF
		4	6T	RF
114T4104-403G		1	3L	RF
		4	2U	RF

57-43-55

ILLUSTRATED PARTS LIST  
01.1 Page 1040K  
Nov 01/00

PART NUMBER	AIRLINE PART NO.	FIG.	ITEM	TTL REQ
114T4104-403P		1	3M	RF
		4	2V	RF
114T4104-404G		1	7L	RF
		4	6U	RF
114T4104-404P		1	7M	RF
		4	6V	RF
114T4104-41		1	1K	RF
		4	1G	RF
114T4104-42		1	5K	RF
		4	5G	RF
114T4104-45		1	1M	RF
		4	1J	RF
114T4104-46		1	5M	RF
		4	5J	RF
114T4104-47		1	1N	RF
		4	1K	RF
114T4104-48		1	5N	RF
		4	5K	RF
114T4104-49		1	1P	RF
		4	1L	RF
114T4104-50		1	5P	RF
		4	5L	RF
114T4104-5001		2	7	1
114T4104-5002		2	8	1
114T4104-5003		2	7A	1
114T4104-5004		2	8A	1
114T4104-5005		2	7B	1
114T4104-5006		2	8B	1
114T4104-5007		3	7	1
114T4104-5008		3	8	1
114T4104-5009		3	7A	1
114T4104-5010		3	8A	1
114T4104-51		1	1Q	RF
		4	1M	RF
114T4104-52		1	5Q	RF
		4	5M	RF
114T4104-53		1	1R	RF
		4	1N	RF
114T4104-54		1	5R	RF
		4	5N	RF
114T4104-57SP		1	3H	RF
		4	2R	RF
114T4104-58SP		1	7H	RF
		4	6R	RF
114T4104-59SP		1	3J	RF
		4	2S	RF

# 57-43-55

 ILLUSTRATED PARTS LIST  
 01.1 Page 1040L  
 Nov 01/00

PART NUMBER	AIRLINE PART NO.	FIG.	ITEM	TTL REQ
114T4104-60SP		1	7J	RF
		4	6S	RF
114T4110-57		2	210	1
		3	174	1
		4	160	1
114T4110-59		2	214	1
		3	176	1
		4	164	1
114T4110-60		2	215	1
		3	178	1
		4	166	1
114T4110-61		2	246	1
		3	202	1
		4	196	1
114T4110-63		2	256	1
		3	218	1
		4	206	1
114T4110-65		2	298	1
		3	238	1
		4	232	1
114T4110-67		2	326	1
		3	258	1
		4	248	1
114T4110-69		2	360	1
		3	282	1
		4	280	1
114T4110-71		2	374	1
114T4110-71		3	293	1
		4	294	1
114T4110-73		2	378	1
		3	298	1
		4	298	1
114T4110-74		2	379	1
		3	300	1
		4	300	1

**57-43-55**

ILLUSTRATED PARTS LIST  
01.1 Page 1040M  
Nov 01/00

PART NUMBER	AIRLINE PART NO.	FIG.	ITEM	TTL REQ
114T4110-75		2	400	1
		3	324	1
		4	328	1
114T4114-1		2	438	1
114T4114-10		2	448	1
		3	340	1
		4	340	1
114T4114-11		4	336A	1
114T4114-12		4	340A	1
114T4114-17		3	334A	1
		4	336B	1
114T4114-18		3	338A	1
		4	340B	1
114T4114-19		3	334B	1
		4	336C	1
		2	444	1
114T4114-2		3	338B	1
		4	340C	1
114T4114-7		2	440	1
		3	334	1
		4	334	1
114T4114-8		2	446	1
		3	338	1
		4	338	1
114T4114-9		2	442	1
		3	336	1
		4	336	1
114T4136-1		2	626	2
		3	475	2
		4	784	2
114T4136-2		2	627	2
		3	477	2
		4	786	2
114T4140-129		2	700	1
114T4140-130		2	702	1

# 57-43-55

 ILLUSTRATED PARTS LIST  
 01.1 Page 1040N  
 Nov 01/00

PART NUMBER	AIRLINE PART NO.	FIG.	ITEM	TTL REQ
114T4140-131		2	720	1
114T4140-132		2	722	1
114T4140-133		2	712	1
114T4140-134		2	714	1
114T4140-135		2	732	1
114T4140-136		2	734	1
114T4140-137		2	704	1
114T4140-138		2	706	1
114T4140-139		2	724	1
114T4140-140		2	726	1
114T4140-141		2	716	1
114T4140-142		2	718	1
114T4140-143		2	736	1
114T4140-144		2	738	1
114T4149-1		2	666A	2
		3	566	1
		3	608	1
		4	496	1
		4	542	1
114T4149-2		2	667	2
		3	568	1
		3	610	1
		4	498	1
		4	544	1
114T4151-5		2	857	1
		3	836	1
		4	768	1
114T4151-6		2	859	1
		3	838	1
		4	770	1
114T4151-7		2	861	1
		3	840	1
		4	772	1
114T4151-8		2	863	1
		3	842	1
		4	774	1

**57-43-55**

ILLUSTRATED PARTS LIST  
01.1 Page 10400  
Nov 01/00

PART NUMBER	AIRLINE PART NO.	FIG.	ITEM	TTL REQ
114T4159-1		2	450	1
		3	349	1
		4	352	1
114T4159-2		2	452	1
		3	350	1
		4	354	1
114T4159-3		2	486	1
		3	352	1
		4	356	1
114T4159-4		2	488	1
		3	354	1
		4	358	1
114T4159-4		2	274	1
114T4177-4		1	1	RF
114T4184-1		2	1	RF
		2	536A	1
		2	578A	1
		2	630A	1
		2	631	1
		3	1	RF
		3	483	1
		3	485	1

# 57-43-55

 ILLUSTRATED PARTS LIST  
 01.1 Page 1040P  
 Nov 01/00



PART NUMBER	AIRLINE PART NO.	FIG.	ITEM	TTL REQ
114T4184-1,		2	201	2
		2	203	4
		2	205	2
		2	365	2
		2	367	4
		2	369	2
		2	508A	1
		2	509	1
		2	516A	6
		2	520	6
		2	522	6
		2	524A	1
		2	525	1
		2	526A	1
		2	527	1
		2	528	40
		2	528G	8
		2	529	8
		2	530A	4
		2	531	8
		2	532A	1
		2	533	1
		2	534A	1
		2	535	5
		2	535G	1
		2	556A	6
	2	560A	1	
	2	562	6	

**57-43-55**

ILLUSTRATED PARTS LIST  
01.1 Page 1040Q  
Nov 01/00

PART NUMBER	AIRLINE PART NO.	FIG.	ITEM	TTL REQ
114T4184-1,		2	564	7
		2	566A	1
		2	567	1
		2	568A	1
		2	569	1
		2	570	44
		2	571	2
		2	572A	6
		2	573	8
		2	574A	6
		2	575	1
		2	576A	2
		2	576G	1
		2	577	5
		2	577G	1
		2	613	4
		2	614A	4
		2	615	2
		2	616A	2
		2	617	2
		2	618A	4
		2	619	2
		2	620A	8
		2	621	4
		2	622A	4
		2	623	4
		2	624A	8
		2	625	8
		2	626	2
		2	627	2
		2	628A	4
		2	629	1
		2	657A	4
	2	660A	8	
	2	664A	8	
	2	666A	2	
	2	667	2	
	2	668A	4	

**57-43-55**

ILLUSTRATED PARTS LIST  
 01.1 Page 1040R  
 Nov 01/00



**BOEING**  
COMPONENT  
MAINTENANCE MANUAL

PART NUMBER	AIRLINE PART NO.	FIG.	ITEM	TTL REQ	
114T4184-1,		2	680A	4	
		2	708A	2	
		2	728A	2	
		2	865	24	
		2	867	2	
		3	165	4	
		3	166A	4	
		3	167	2	
		3	286A	4	
		3	287	4	
		3	288A	2	
		3	451	4	
		3	453	4	
		3	455	2	
		3	457	2	
		3	459	2	
		3	461	4	
		3	461G	2	
		3	463	8	
		3	465	4	
		3	467	4	
		3	469	4	
		3	471	8	
		3	473	8	
		3	475	2	
		3	477	2	
		3	479	4	
		3	481	1	
	114T4184-10		2	576A	2
	114T4184-2		1	5	RF
			2	5	RF
			2	201	2
			2	203	4
		2	205	2	
		2	365	2	
		2	367	4	
		2	369	2	
		2	508A	1	
		2	509	1	

**57-43-55**

ILLUSTRATED PARTS LIST  
01.1 Page 1040S  
Nov 01/00

PART NUMBER	AIRLINE PART NO.	FIG.	ITEM	TTL REQ
114T4184-2		2	516A	6
		2	520	6
		2	522	6
		2	524A	1
		2	525	1
		2	526A	1
		2	527	1
		2	528	40
		2	528G	8
		2	529	8
		2	530A	4
		2	531	8
		2	532A	1
		2	533	1
		2	534A	1
		2	535	5
		2	535G	1
		2	537	1
		2	548C	1
		2	556A	6
		2	560A	1
		2	562	6
		2	564	7
		2	566A	1
		2	567	1
		2	568A	1
		2	569	1
		2	570	44
		2	571	2
		2	572A	6
		2	573	8
		2	574A	6
	2	575	1	
	2	576A	2	
	2	576G	1	
	2	577	5	
	2	577G	1	
	2	613	4	
	2	614A	4	
	2	615	2	
	2	616A	2	

**57-43-55**

ILLUSTRATED PARTS LIST  
 01.1 Page 1040T  
 Nov 01/00



**BOEING**  
COMPONENT  
MAINTENANCE MANUAL

PART NUMBER	AIRLINE PART NO.	FIG.	ITEM	TTL REQ
114T4184-2		2	617	2
		2	618A	4
		2	619	2
		2	620A	8
		2	621	4
		2	622A	4
		2	623	4
		2	624A	8
		2	625	8
		2	626	2
		2	627	2
		2	628A	4
		2	629	1
		2	630G	1
		2	631G	1
		2	657A	4
		2	660A	8
		2	664A	8
		2	666A	2
		2	667	2
		2	668A	4
		2	680A	4
		2	708A	2
		2	728A	2
		2	865	24
		2	867	2
		3	5	RF
		3	165	4
		3	166A	4
		3	167	2
		3	286A	4
		3	287	4
		3	288A	2
		3	451	4
		3	453	4
		3	455	2
		3	457	2
		3	459	2
		3	461	4

**57-43-55**

ILLUSTRATED PARTS LIST  
01.1 Page 1040U  
Nov 01/00

PART NUMBER	AIRLINE PART NO.	FIG.	ITEM	TTL REQ
114T4184-2		3	461G	2
		3	463	8
		3	465	4
		3	467	4
		3	469	4
		3	471	8
		3	473	8
		3	475	2
		3	477	2
		3	479	4
		3	481	1
		3	484A	1
		3	486A	1
114T4184-3		2	632A	1
		3	523	1
114T4184-4		2	633	1
		3	525	1
114T4184-5		2	634A	1
		3	527	1
114T4184-6		2	635	1
		3	529	1
114T4184-7		2	867	2
114T4192-1		2	630A	1
		3	483	1
114T4192-2		2	630G	1
		3	484A	1
114T4192-3		2	631S	1
		3	489	1
114T4192-4		2	631W	1
		3	490A	1
114T4193-1		2	631	1
		3	485	1
114T4193-2		2	631G	1
		3	486A	1
114T4193-3		2	631T	1
		3	489A	1
114T4193-4		2	631X	1
		3	490B	1
114T4198-1		2	536A	1
114T4198-2		2	537	1
114T4198-3		2	542B	1
114T4198-4		2	544B	1
114T4199-1		2	578A	1
114T4199-2		2	548C	1
114T4199-3		2	584B	1
114T4199-4		2	586B	1

# 57-43-55

 ILLUSTRATED PARTS LIST  
 01.1 Page 1040V  
 Nov 01/00

PART NUMBER	AIRLINE PART NO.	FIG.	ITEM	TTL REQ
114T4200-23		3	668	1
		4	610	1
114T4200-24		3	670	1
		4	612	1
114T4200-5		2	770	1
		3	688	1
		4	630	1
114T4200-6		2	772	1
		3	690	1
		4	632	1
114T4200-7		2	814	1
114T4200-8		2	816	1
114T4221-17		2	784	1
		3	702	1
		4	644	1
114T4221-18		2	786	1
		3	704	1
		4	646	1
114T4221-3		2	794	1
		3	712	1
		4	654	1
114T4221-4		2	796	1
		3	714	1
		4	656	1
114T4222-15		2	788	1
		3	706	1
		4	648A	1
114T4222-21		2	798	1
		3	716	1
		4	658	1
114T4222-22		2	800	1
		3	718	1
		4	660	1
114T4223-33		2	802	1
		3	720	1
		4	662	1
114T4223-34		2	804	1
		3	722	1
		4	664	1
114T4223-39		2	790	1
		3	708	1
		4	650	1

**57-43-55**

ILLUSTRATED PARTS LIST  
01.1 Page 1040W  
Nov 01/00

PART NUMBER	AIRLINE PART NO.	FIG.	ITEM	TTL REQ
114T4223-40		2	792	1
		3	710	1
		4	652	1
114T4224-10		4	72A	1
114T4224-4		2	88	1
		3	78	1
		4	68	1
114T4224-5		2	90	1
		3	82	1
		4	72	1
114T4224-9		4	68A	1
114T4225-7		2	100	1
		3	90	1
		4	80	1
114T4225-8		2	110	1
		3	92	1
		4	82	1
114T4226-2		2	116	2
		3	98	2
		4	88	2
114T4230-12		2	162	1
		3	144	1
		4	130	1
114T4230-15		2	168	1
		3	146	1
		4	132	1
114T4230-4		2	158	1
		3	140	1
		4	126	1
114T4230-7		2	160	1
		3	142	1
		4	128	1

# 57-43-55

 ILLUSTRATED PARTS LIST  
 01.1 Page 1040X  
 Nov 01/00



PART NUMBER	AIRLINE PART NO.	FIG.	ITEM	TTL REQ
114T4231-12		2	156	1
114T4231-15		2	166	1
		3	138	1
		4	124	1
114T4231-29		2	118	1
114T4231-30		2	122	1
114T4231-31		2	126	1
114T4231-32		2	130	1
114T4231-4		2	152	1
114T4231-48		3	132A	1
		4	118	1
114T4231-52		3	134A	1
		4	120	1
114T4231-56		3	136A	1
		4	122	1
114T4231-8		2	154	1
114T4232-19		2	26	1
		3	28	1
		4	18	1
114T4232-20		2	28	1
		3	30	1
		4	20	1
114T4232-21		2	30	1
		3	32	1
		4	22	1
114T4232-22		2	32	1
		3	34	1
		4	24	1
114T4232-23		2	34	1
		3	36	1
		4	26	1
114T4232-24		2	36	1
		3	38	1
		4	28	1

**57-43-55**

ILLUSTRATED PARTS LIST  
01.1 Page 1040Y  
Nov 01/00

PART NUMBER	AIRLINE PART NO.	FIG.	ITEM	TTL REQ
114T4233-19		2	14	1
		3	14	1
114T4233-20		2	16	1
		3	16	1
114T4233-21		2	18	1
		3	18	1
114T4233-22		2	20	1
		3	22	1
114T4233-23		2	22	1
		3	24	1
114T4233-24		2	24	1
		3	26	1
114T4233-31		2	82	1
		3	58	1
		4	48A	1
114T4233-32		3	27	50
		4	16	46
		4	16L	4
114T4233-33		4	17H	1
114T4234-10		2	75	1
		3	76	1
		4	66	1
114T4234-11		2	84	1
114T4234-11		3	60	1
		4	50	1
114T4234-12		2	86	1
		3	61	1
		4	52	1
114T4234-9		2	74	1
		3	74	1
		4	64	1
114T4235-4		2	72	1
		3	72	1
		4	62	1
114T4235-8		2	138	1
		3	114	1
		4	104	1
114T4236-10		4	70A	1
114T4236-11		4	74A	1

# 57-43-55

 ILLUSTRATED PARTS LIST  
 01.1 Page 1040Z  
 Nov 01/00

PART NUMBER	AIRLINE PART NO.	FIG.	ITEM	TTL REQ
114T4236-4		2	92	1
		3	80	1
		4	70	1
114T4236-5		2	94	1
		3	84	1
		4	74	1
114T4237-11		2	140	1
		3	116	1
		4	106	1
114T4237-12		2	142	1
		3	118	1
		4	108	1
114T4240-37		2	806	1
		3	724	1
		4	666	1
114T4240-38		2	808	1
		3	726	1
		4	668	1
114T4240-39		2	810	1
		3	728	1
		4	670	1
114T4240-40		2	812	1
		3	730	1
		4	672	1
114T4240-41		2	828A	1
114T4240-42		2	830A	1
114T4240-43		2	832A	1
114T4240-44		2	834A	1
114T4240-77		3	680A	1
114T4240-77		4	622	1
114T4240-78		3	682A	1
114T4240-79		4	624	1
		3	684A	1
		4	626	1
114T4240-80		3	686A	1
		4	628	1
		2	120	1
114T4242-13		3	100	1
		4	90	1
		2	124	1
114T4242-14		3	102	1
		4	92	1
		2	128	1
114T4242-15		3	104	1
		4	94	1

**57-43-55**

ILLUSTRATED PARTS LIST  
01.1 Page 1041  
Nov 01/00

PART NUMBER	AIRLINE PART NO.	FIG.	ITEM	TTL REQ
114T4242-16		2	132	1
		3	106	1
		4	96	1
114T4264-1		2	182	1
		3	152	1
		4	144	1
114T4264-10		2	297	1
		3	236	1
		4	230	1
114T4264-11		2	322	1
		3	254	1
		4	244	1
114T4264-12		2	324	1
		3	256	1
		4	246	1
114T4264-13		2	356	1
114T4264-14		2	358	1
114T4264-15		2	370	1
		3	290	1
114T4264-16		2	372	1
		3	292	1
114T4264-17		2	396	1
		3	320	1
		4	324	1
114T4264-18		2	398	1
		3	322	1
		4	326	1
114T4264-2		2	184	1
		3	154	1
114T4264-2		4	146	1
114T4264-21		3	198	1
		4	192	1
114T4264-22		3	200	1
		4	194	1

# 57-43-55

 ILLUSTRATED PARTS LIST  
 01.1 Page 1042  
 Nov 01/00



**BOEING**  
COMPONENT  
MAINTENANCE MANUAL

PART NUMBER	AIRLINE PART NO.	FIG.	ITEM	TTL REQ
114T4264-23		3	278	1
		4	276	1
114T4264-24		3	280	1
		4	278	1
114T4264-25		3	168A	1
		4	156	1
114T4264-26		3	170A	1
		4	158	1
114T4264-27		3	290A	1
		4	290	1
114T4264-28		3	292A	1
		4	292	1
114T4264-3		2	206	1
		3	168	1
114T4264-4		2	208	1
		3	170	1
114T4264-5		2	242	1
114T4264-6		2	244	1
114T4264-7		2	252	1
		3	214	1
		4	202	1
114T4264-8		2	254	1
		3	216	1
		4	204	1
114T4264-9		2	296	1
		3	234	1
		4	228	1
114T4301-153		4	812	1
114T4301-154		4	814	1
114T4301-155		4	802	1
114T4301-156		4	804	1
114T4301-159		4	796	1
114T4301-160		4	798	1
114T4302-4		2	276B	1
		3	231B	1
		4	222	1

**57-43-55**

ILLUSTRATED PARTS LIST  
01.1 Page 1042A  
Nov 01/00

PART NUMBER	AIRLINE PART NO.	FIG.	ITEM	TTL REQ
114T4406-10		2	633	1
114T4406-13		3	523	1
114T4406-14		3	525	1
114T4406-17		3	736	1
114T4406-18		3	738	1
114T4406-19		3	772	1
114T4406-20		3	774	1
114T4406-21		4	678	1
114T4406-22		4	680A	1
114T4406-23		4	714	1
114T4406-24		4	716	1
114T4406-25		4	678B	1
114T4406-26		4	680B	1
114T4406-9		2	632A	1
114T4407-10		2	635	1
114T4407-13		3	527	1
114T4407-14		3	529	1
114T4407-17		3	776	1
114T4407-18		3	778	1
114T4407-19		3	812	1
114T4407-20		3	814	1
114T4407-21		4	718	1
114T4407-22		4	720	1
114T4407-23		4	754	1
114T4407-24		4	756	1
114T4407-25		4	718B	1
114T4407-26		4	720B	1
114T4407-9		2	634A	1
114T4506-5		2	682	1
114T4506-6		2	684	1
114T4506-7		2	692	1
114T4506-8		2	694	1
114T4507-5		2	686A	1
114T4507-6		2	688A	1
114T4507-7		2	696	1

# 57-43-55

 ILLUSTRATED PARTS LIST  
 01.1 Page 1042B  
 Nov 01/00



**BOEING**  
COMPONENT  
MAINTENANCE MANUAL

PART NUMBER	AIRLINE PART NO.	FIG.	ITEM	TTL REQ
114T4507-8		2	698	1
114T4510-33		2	636	1
114T4510-34		2	638	1
114T4510-35		2	640	1
114T4510-36		2	642	1
114T4518-1		3	532	1
114T4518-10		4	460A	1
114T4518-11		4	500A	1
114T4518-12		4	502A	1
114T4518-13		4	458B	1
114T4518-14		4	460B	1
114T4518-2		3	534	1
114T4518-3		3	570	1
114T4518-4		3	572	1
114T4518-401		4	458C	1
114T4518-402		4	460C	1
114T4518-403		4	500B	1
114T4518-404		4	502B	1
114T4518-5		4	458	1
114T4518-6		4	460	1
114T4518-7		4	500	1
114T4518-8		4	502	1
114T4518-9		4	458A	1
114T4519-1		3	574	1
114T4519-10		4	506A	1
114T4519-11		4	546C	1
114T4519-12		4	548C	1
114T4519-13		4	504B	1
114T4519-14		4	506B	1
114T4519-2		3	576	1
114T4519-3		3	612	1
114T4519-4		3	614	1
114T4519-401		4	504C	1
114T4519-402		4	506C	1
114T4519-403		4	546D	1
114T4519-404		4	548D	1
114T4519-5		4	504	1
114T4519-6		4	506	1
114T4519-7		4	546B	1
114T4519-8		4	548B	1
114T4519-9		4	504A	1
114T4606-13		3	372	1
114T4606-14		3	374	1
114T4606-15		3	408	1
114T4606-16		3	410	1

**57-43-55**

ILLUSTRATED PARTS LIST  
01.1 Page 1042C  
Nov 01/00

PART NUMBER	AIRLINE PART NO.	FIG.	ITEM	TTL REQ
114T4606-21		4	378	1
114T4606-22		4	380	1
114T4606-23		4	414	1
114T4606-24		4	416	1
114T4606-25		4	378B	1
114T4606-26		4	380B	1
114T4606-401		4	378C	1
114T4606-402		4	380C	1
114T4606-403		4	414B	1
114T4606-404		4	416B	1
114T4607-13		3	412	1
114T4607-14		3	414	1
114T4607-15		3	448	1
114T4607-16		3	450	1
114T4607-21		4	418	1
114T4607-22		4	420	1
114T4607-23		4	454	1
114T4607-24		4	456	1
114T4607-25		4	418B	1
114T4607-26		4	420B	1
114T4607-401		4	418C	1
114T4607-402		4	420C	1
114T4607-403		4	454B	1
114T4607-404		4	456B	1
114T4704-10		4	552	1
114T4704-13		4	550B	1
114T4704-14		4	552B	1
114T4704-5		3	616	1
114T4704-6		3	618	1
114T4704-9		4	550	1
114T4907-1		2	740	1
114T4907-10		4	562	1
114T4907-13		4	560B	1
114T4907-14		4	562B	1
114T4907-2		2	742	1
114T4907-5		3	626A	1
114T4907-6		3	628	1
114T4907-9		4	560	1
114T4908-1		2	754	1
114T4908-10		4	578	1
114T4908-13		4	576B	1
114T4908-14		4	578B	1
114T4908-2		2	756	1
114T4908-5		3	642	1
114T4908-6		3	644	1

# 57-43-55

 ILLUSTRATED PARTS LIST  
 01.1 Page 1042D  
 Nov 01/00



PART NUMBER	AIRLINE PART NO.	FIG.	ITEM	TTL REQ
114T4908-9		4	576	1
114T4912-11		2	839	1
		3	658	1
		4	600	1
114T4912-12		2	841	1
		3	660	1
		4	602	1
114T4912-13		2	842	1
		3	662	1
		4	604	1
114T4912-14		2	843	1
		3	664	1
		4	606	1
114T6411-1		2	535G	1
114T6412-1		2	577G	1
114T6412-2		2	577P	1
114T6415-1		2	623	4
		3	469	4
114T6415-4		2	619	2
		3	461G	2
114T6415-5		2	618A	4
		3	461	4
114T6415-6		4	788	4
114T6420-3		2	567G	1
114T6420-4		2	525G	1
256T2931-10		4	17M	1
256T2931-7		4	17F	1
256T2931-8		4	17A	1
256T2931-9		4	17R	1
66014-14		2	680A	4
66014-5		2	426	14
		3	543	2
		3	585	2
		4	472	2
		4	518	2

**57-43-55**

ILLUSTRATED PARTS LIST  
01.1 Page 1042E  
Nov 01/00

PART NUMBER	AIRLINE PART NO.	FIG.	ITEM	TTL REQ
66014-6		2	286	1
		2	420	34
		2	509	1
		2	522	6
		2	525	1
		2	564	7
		2	567	1
		2	608	24
		2	614A	4
		2	654	14
		2	855	10
		3	344	34
		3	388	8
		3	428	8
		3	453	4
		3	510	24
		3	548	7
		3	590	7
		3	754	12
		3	794	12
66014-6		3	828	8
		4	344	34
		4	394	8
		4	434	8
		4	478	7
		4	524	7
		4	696	12
		4	736	12
67068-5A3		4	766	8
		4	767	14
		2	660B	8
		3	558	4
		3	600	4
		4	488	4
		4	534	4

# 57-43-55

 ILLUSTRATED PARTS LIST  
 01.1 Page 1042F  
 Nov 01/00

PART NUMBER	AIRLINE PART NO.	FIG.	ITEM	TTL REQ
69310-5A3 96-02		2	660A	8
		2	13A	1
		2	70	6
		2	80	1
		2	136	2
		2	150	13
		2	240	4
		2	354	4
		2	514	2
		2	554	2
		2	602	12
		2	616A	2
		2	622A	4
		2	625	8
		2	648	4
		2	657P	4
		2	782	10
		2	826	5
		3	13	1
		3	56	1
		3	68	5
		3	112	2
		3	196	4
		3	276	4
		3	382	6
		3	422	6
		3	457	2
	3	467	4	

**57-43-55**

ILLUSTRATED PARTS LIST  
01.1 Page 1042G  
Nov 01/00

PART NUMBER	AIRLINE PART NO.	FIG.	ITEM	TTL REQ
96-02		3	473	8
		3	504	8
		3	542	2
		3	584	2
		3	678	5
		3	700	10
		3	748	8
		3	788	8
		3	834	2
		4	14	1
		4	46	1
		4	60	5
		4	102	2
		4	186	4
		4	270	4
		4	388	6
		4	428	6
		4	470	2
		4	516	2
		4	620	5
	4	642	10	
	4	690	8	
	4	730	8	
	4	780	6	
	4	794	5	
	4	810	5	
96-82		3	562	4
		3	604	4
		4	492	4
		4	538	4

**57-43-55**

**BOEING**  
COMPONENT  
MAINTENANCE MANUAL

FIG. & ITEM	PART NO.	AIRLINE PART NUMBER	NOMENCLATURE 1234567	EFF CODE	QTY PER ASSY
01- -1	114T4104-13SP		STRUCTURE ASSY-OUTBD SLAT NO. 4 WING LE (LH) (REWORK DWG 114T4184-1) (PRE SB 757-32-0107) (PRE SB 767-57A0057) (FOR DETAILS SEE FIG. 2)	A	RF
-1A	114T4104-21SP		STRUCTURE ASSY-OUTBD SLAT NO. 4 WING LE (LH) (REWORK DWG 114T4104-1) (POST SB 757-32-0107) (PRE SB 767-57A0057) (FOR DETAILS SEE FIG. 3)	B	RF
-1B	114T4104-23		STRUCTURE ASSY-OUTBD SLAT NO. 4 WING LE (VARIABLE) (LH) (REWORK DWG 114T4184-1) (PRE SB 767-57A0057) (FOR DETAILS SEE FIG. 3)	C	RF
-1C	114T4104-25		STRUCTURE ASSY-OUTBD SLAT NO. 4 WING LE (VARIABLE) (LH) (PRE SB 767-57A0057) (FOR DETAILS SEE FIG. 4)	D	RF
-1D	114T4104-27SP		STRUCTURE ASSY-OUTBD SLAT NO. 4 WING LE (LH) (POST SB 757-32-0107) (PRE SB 767-57A0057) (FOR DETAILS SEE FIG. 4)	E	RF
-1E	114T4104-29		STRUCTURE ASSY-OUTBD SLAT NO. 4 WING LE (LH) (PRE SB 767-57A0057) (FOR DETAILS SEE FIG. 4)	F	RF
-1F	114T4104-33		STRUCTURE ASSY-OUTBD SLAT NO. 4 WING LE (VARIABLE) (LH) (FOR DETAILS SEE FIG. 4) (PRE SB 767-57A0057)	G	RF
-1G	114T4104-35		DELETED		

**57-43-55**

FIG. & ITEM	PART NO.	AIRLINE PART NUMBER	NOMENCLATURE 1234567	EFF CODE	QTY PER ASSY
01- -1H	114T4104-37SP		STRUCTURE ASSY-OUTBD SLAT NO. 4 WING LE (LH) (POST SB 757-32-0107) (PRE SB 767-57A0057) (FOR DETAILS SEE FIG. 4)	H	RF
-1J	114T4104-39		STRUCTURE ASSY-OUTBD SLAT NO. 4 WING LE (VARIABLE) (LH) (PRE SB 767-57A0057) (FOR DETAILS SEE FIG. 4)	J	RF
-1K	114T4104-41		STRUCTURE ASSY-OUTBD SLAT NO. 4 WING LE (LH) (POST SB 757-32-0107) (PRE SB 767-57A0057) (FOR DETAILS SEE FIG. 4)	K	RF
-1L	114T4104-43		DELETED		
-1M	114T4104-45		STRUCTURE ASSY-OUTBD SLAT NO. 4 WING LE (VARIABLE) (LH) (PRE SB 767-57A0057) (FOR DETAILS SEE FIG. 4)	Y	RF
-1N	114T4104-47		STRUCTURE ASSY-OUTBD SLAT NO. 4 WING LE (VARIABLE) (LH) (PRE SB 767-57A0057) (FOR DETAILS SEE FIG. 4)	Z	RF
-1P	114T4104-49		STRUCTURE ASSY-OUTBD SLAT NO. 4 WING LE (LH) (PRE SB 767-57A0057) (FOR DETAILS SEE FIG. 4)	AC	RF
-1Q	114T4104-51		STRUCTURE ASSY-OUTBD SLAT NO. 4 WING LE (VARIABLE) (LH) (PRE SB 767-57A0057) (FOR DETAILS SEE FIG. 4)	AE	RF
-1R	114T4104-53		STRUCTURE ASSY-OUTBD SLAT NO. 4 WING LE (LH) (FOR DETAILS SEE FIG. 4)	L	RF
-1S	114T4104-55		DELETED		
-1T	015T1507-401		STRUCTURE ASSY-OUTBD SLAT NO. 4 WING LE (LH) (POST SB 767-57A0057) (FOR DETAILS SEE FIG. 2)	AJ	RF

# 57-43-55

 ILLUSTRATED PARTS LIST  
 01.1 Page 1042J  
 Nov 01/00



**BOEING**  
COMPONENT  
MAINTENANCE MANUAL

FIG. & ITEM	PART NO.	AIRLINE PART NUMBER	NOMENCLATURE 1234567	EFF CODE	QTY PER ASSY
01- -1U	015T1507-403		STRUCTURE ASSY-OUTBD SLAT NO. 4 WING LE (LH) (POST SB 767-57A0057) (FOR DETAILS SEE FIG. 2)	AK	RF
-1V	015T1507-405		STRUCTURE ASSY-OUTBD SLAT NO. 4 WING LE (LH) (POST SB 767-57A0057) (FOR DETAILS SEE FIG. 2)	AL	RF
-1W	015T1507-443		STRUCTURE ASSY-OUTBD SLAT NO. 4 WING LE (LH) (POST SB 767-57A0057) (FOR DETAILS SEE FIG. 2)	AM	RF
-1X	015T1507-445		STRUCTURE ASSY-OUTBD SLAT NO. 4 WING LE (LH) (POST SB 767-57A0057) (FOR DETAILS SEE FIG. 2)	AN	RF
-1Y	015T1507-447		STRUCTURE ASSY-OUTBD SLAT NO. 4 WING LE (LH) (POST SB 767-57A0057) (FOR DETAILS SEE FIG. 2)	AP	RF
-1Z	015T1507-407		STRUCTURE ASSY-OUTBD SLAT NO. 4 WING LE (LH) (POST SB 767-57A0057) (FOR DETAILS SEE FIG. 3)	AW	RF
-2	015T1507-409		STRUCTURE ASSY-OUTBD SLAT NO. 4 WING LE (LH) (POST SB 767-57A0057) (FOR DETAILS SEE FIG. 3)	AX	RF
-2A	015T1507-411		STRUCTURE ASSY-OUTBD SLAT NO. 4 WING LE (LH) (POST SB 767-57A0057) (FOR DETAILS SEE FIG. 3)	AY	RF
-2B	015T1507-449		STRUCTURE ASSY-OUTBD SLAT NO. 4 WING LE (LH) (POST SB 767-57A0057) (FOR DETAILS SEE FIG. 3)	AZ	RF
-2C	015T1507-451		STRUCTURE ASSY-OUTBD SLAT NO. 4 WING LE (LH) (POST SB 767-57A0057) (FOR DETAILS SEE FIG. 3)	BA	RF
-2D	015T1507-453		STRUCTURE ASSY-OUTBD SLAT NO. 4 WING LE (LH) (POST SB 767-57A0057) (FOR DETAILS SEE FIG. 3)	BB	RF

**57-43-55**

ILLUSTRATED PARTS LIST  
01.1 Page 1042K  
Nov 01/00

FIG. & ITEM	PART NO.	AIRLINE PART NUMBER	NOMENCLATURE 1234567	EFF CODE	QTY PER ASSY
01- -2E	015T1507-413		STRUCTURE ASSY-OUTBD SLAT NO. 4 WING LE (LH) (POST SB 767-57A0057) (FOR DETAILS SEE FIG. 3)	BC	RF
-2F	015T1507-455		STRUCTURE ASSY-OUTBD SLAT NO. 4 WING LE (LH) (POST SB 767-57A0057) (FOR DETAILS SEE FIG. 3)	BD	RF
-2G	015T1507-415		STRUCTURE ASSY-OUTBD SLAT NO. 4 WING LE (LH) (POST SB 767-57A0057) (FOR DETAILS SEE FIG. 4)	BN	RF
-2H	015T1507-457		STRUCTURE ASSY-OUTBD SLAT NO. 4 WING LE (LH) (POST SB 767-57A0057) (FOR DETAILS SEE FIG. 4)	BP	RF
-2J	015T1507-417		STRUCTURE ASSY-OUTBD SLAT NO. 4 WING LE (LH) (POST SB 767-57A0057) (FOR DETAILS SEE FIG. 4)	BQ	RF
-2K	015T1507-459		STRUCTURE ASSY-OUTBD SLAT NO. 4 WING LE (LH) (POST SB 767-57A0057) (FOR DETAILS SEE FIG. 4)	BR	RF
-2L	015T1507-419		STRUCTURE ASSY-OUTBD SLAT NO. 4 WING LE (LH) (POST SB 767-57A0057) (FOR DETAILS SEE FIG. 4)	BS	RF
-2M	015T1507-461		STRUCTURE ASSY-OUTBD SLAT NO. 4 WING LE (LH) (POST SB 767-57A0057) (FOR DETAILS SEE FIG. 4)	BT	RF
-2N	015T1507-421		STRUCTURE ASSY-OUTBD SLAT NO. 4 WING LE (LH) (POST SB 767-57A0057) (FOR DETAILS SEE FIG. 4)	BU	RF
-2P	015T1507-463		STRUCTURE ASSY-OUTBD SLAT NO. 4 WING LE (LH) (POST SB 767-57A0057) (FOR DETAILS SEE FIG. 4)	BV	RF
-2Q	015T1507-425		STRUCTURE ASSY-OUTBD SLAT NO. 4 WING LE (LH) (POST SB 767-57A0057) (FOR DETAILS SEE FIG. 4)	BW	RF

# 57-43-55

 ILLUSTRATED PARTS LIST  
 01.1 Page 1042L  
 Nov 01/00





**BOEING**  
COMPONENT  
MAINTENANCE MANUAL

FIG. & ITEM	PART NO.	AIRLINE PART NUMBER	NOMENCLATURE 1234567	EFF CODE	QTY PER ASSY
01- -2R	015T1507-427		STRUCTURE ASSY-OUTBD SLAT NO. 4 WING LE (LH) (POST SB 767-57A0057) (FOR DETAILS SEE FIG. 4)	BX	RF
-2S	015T1507-429		STRUCTURE ASSY-OUTBD SLAT NO. 4 WING LE (LH) (POST SB 767-57A0057) (FOR DETAILS SEE FIG. 4)	BY	RF
-2T	015T1507-465		STRUCTURE ASSY-OUTBD SLAT NO. 4 WING LE (LH) (POST SB 767-57A0057) (FOR DETAILS SEE FIG. 4)	BZ	RF
-2U	015T1507-467		STRUCTURE ASSY-OUTBD SLAT NO. 4 WING LE (LH) (POST SB 767-57A0057) (FOR DETAILS SEE FIG. 4)	CA	RF
-2V	015T1507-469		STRUCTURE ASSY-OUTBD SLAT NO. 4 WING LE (LH) (POST SB 767-57A0057) (FOR DETAILS SEE FIG. 4)	CB	RF
-2W	015T1507-431		STRUCTURE ASSY-OUTBD SLAT NO. 4 WING LE (LH) (POST SB 767-57A0057) (FOR DETAILS SEE FIG. 4)	CC	RF
-2X	015T1507-471		STRUCTURE ASSY-OUTBD SLAT NO. 4 WING LE (LH) (POST SB 767-57A0057) (FOR DETAILS SEE FIG. 4)	CD	RF
-2Y	015T1507-433		STRUCTURE ASSY-OUTBD SLAT NO. 4 WING LE (LH) (POST SB 767-57A0057) (FOR DETAILS SEE FIG. 4)	CE	RF
-2Z	015T1507-473		STRUCTURE ASSY-OUTBD SLAT NO. 4 WING LE (LH) (POST SB 767-57A0057) (FOR DETAILS SEE FIG. 4)	CF	RF
-3	015T1507-435		STRUCTURE ASSY-OUTBD SLAT NO. 4 WING LE (LH) (POST SB 767-57A0057) (FOR DETAILS SEE FIG. 4)	CG	RF
-3A	015T1507-475		STRUCTURE ASSY-OUTBD SLAT NO. 4 WING LE (LH) (POST SB 767-57A0057) (FOR DETAILS SEE FIG. 4)	CH	RF

**57-43-55**

ILLUSTRATED PARTS LIST  
01.1 Page 1042M  
Nov 01/00

FIG. & ITEM	PART NO.	AIRLINE PART NUMBER	NOMENCLATURE 1234567	EFF CODE	QTY PER ASSY
01- -3B	015T1507-437		STRUCTURE ASSY-OUTBD SLAT NO. 4 WING LE (LH) (POST SB 767-57A0057) (FOR DETAILS SEE FIG. 4)	CJ	RF
-3C	015T1507-477		STRUCTURE ASSY-OUTBD SLAT NO. 4 WING LE (LH) (POST SB 767-57A0057) (FOR DETAILS SEE FIG. 4)	CK	RF
-3D	015T1507-439		STRUCTURE ASSY-OUTBD SLAT NO. 4 WING LE (LH) (POST SB 767-57A0057) (FOR DETAILS SEE FIG. 4)	CL	RF
-3E	015T1507-479		STRUCTURE ASSY-OUTBD SLAT NO. 4 WING LE (LH) (POST SB 767-57A0057) (FOR DETAILS SEE FIG. 4)	CM	RF
-3F	015T1507-441		STRUCTURE ASSY-OUTBD SLAT NO. 4 WING LE (LH) (POST SB 767-57A0057) (FOR DETAILS SEE FIG. 4)	CN	RF
-3G	015T1507-481		STRUCTURE ASSY-OUTBD SLAT NO. 4 WING LE (LH) (POST SB 767-57A0057) (FOR DETAILS SEE FIG. 4)	CP	RF
-3H	114T4104-57SP		STRUCTURE ASSY-OUTBD SLAT NO. 4 WING LE (LH) (FOR DETAILS SEE FIG. 4)	DS	RF
-3J	114T4104-59SP		STRUCTURE ASSY-OUTBD SLAT NO. 4 WING LE (LH) (FOR DETAILS SEE FIG. 4)	DT	RF
-3K	114T4104-401SP		STRUCTURE ASSY-OUTBD SLAT NO. 4 WING LE (LH) (FOR DETAILS SEE FIG. 4)	DW	RF
-3L	114T4104-403G		STRUCTURE ASSY-OUTBD SLAT NO. 4 WING LE (LH) (FOR DETAILS SEE FIG. 4)	DY	RF
-3M	114T4104-403P		STRUCTURE ASSY-OUTBD SLAT NO. 4 WING LE (LH) (FOR DETAILS SEE FIG. 4)	DZ	RF

# 57-43-55

 ILLUSTRATED PARTS LIST  
 01.1 Page 1042N  
 Nov 01/00

 **BOEING**  
COMPONENT  
MAINTENANCE MANUAL

FIG. & ITEM	PART NO.	AIRLINE PART NUMBER	NOMENCLATURE 1234567	EFF CODE	QTY PER ASSY
01-5	114T4104-14SP		STRUCTURE ASSY-OUTBD SLAT NO. 9 WING LE (RH) (REWORK DWG 114T4184-2) (PRE SB 757-32-0107) (PRE SB 767-57A0057) (FOR DETAILS SEE FIG. 2)	M	RF
-5A	114T4104-22SP		STRUCTURE ASSY-OUTBD SLAT NO. 9 WING LE (RH) (REWORK DWG 114T4184-2) (POST SB 757-32-0107) (PRE SB 767-57A0057) (FOR DETAILS SEE FIG. 3)	N	RF
-5B	114T4104-24		STRUCTURE ASSY-OUTBD SLAT NO. 9 WING LE (VARIABLE) (RH) (REWORK DWG 114T4184-2) (PRE SB 767-57A0057) (FOR DETAILS SEE FIG. 3)	P	RF
-5C	114T4104-26		STRUCTURE ASSY-OUTBD SLAT NO. 9 WING LE (VARIABLE) (RH) (PRE SB 767-57A0057) (FOR DETAILS SEE FIG. 4)	Q	RF
-5D	114T4104-28SP		STRUCTURE ASSY-OUTBD SLAT NO. 9 WING LE (RH) (POST SB 757-32-0107) (PRE SB 767-57A0057) (FOR DETAILS SEE FIG. 4)	R	RF
-5E	114T4104-30		STRUCTURE ASSY-OUTBD SLAT NO. 9 WING LE (RH) (PRE SB 767-57A0057) (FOR DETAILS SEE FIG. 4)	S	RF
-5F	114T4104-34		STRUCTURE ASSY-OUTBD SLAT NO. 9 WING LE (VARIABLE) (RH) (PRE SB 767-57A0057) (FOR DETAILS SEE FIG. 4)	T	RF
-5G	114T4104-36		DELETED		

**57-43-55**

FIG. & ITEM	PART NO.	AIRLINE PART NUMBER	NOMENCLATURE 1234567	EFF CODE	QTY PER ASSY
01- -5H	114T4104-38SP		STRUCTURE ASSY-OUTBD SLAT NO. 9 WING LE (RH) (POST SB 757-32-0107) (PRE SB 767-57A0057) (FOR DETAILS SEE FIG. 4)	U	RF
-5J	114T4104-40		STRUCTURE ASSY-OUTBD SLAT NO. 9 WING LE (VARIABLE) (RH) (PRE SB 767-57A0057) (FOR DETAILS SEE FIG. 4)	V	RF
-5K	114T4104-42		STRUCTURE ASSY-OUTBD SLAT NO. 9 WING LE (RH) (POST SB 757-32-0107) (PRE SB 767-57A0057) (FOR DETAILS SEE FIG. 4)	W	RF
-5L	114T4104-44		DELETED		
-5M	114T4104-46		STRUCTURE ASSY-OUTBD SLAT NO. 9 WING LE (VARIABLE) (RH) (PRE SB 767-57A0057) (FOR DETAILS SEE FIG. 4)	AA	RF
-5N	114T4104-48		STRUCTURE ASSY-OUTBD SLAT NO. 9 WING LE (VARIABLE) (RH) (PRE SB 767-57A0057) (FOR DETAILS SEE FIG. 4)	AB	RF
-5P	114T4104-50		STRUCTURE ASSY-OUTBD SLAT NO. 9 WING LE (RH) (PRE SB 767-57A0057) (FOR DETAILS SEE FIG. 4)	AD	RF
-5Q	114T4104-52		STRUCTURE ASSY-OUTBD SLAT NO. 9 WING LE (VARIABLE) (RH) (PRE SB 767-57A0057) (FOR DETAILS SEE FIG. 4)	AF	RF
-5R	114T4104-54		STRUCTURE ASSY-OUTBD SLAT NO. 9 WING LE (RH) (FOR DETAILS SEE FIG. 4)	X	RF
-5S	114T4104-56		DELETED		
-5T	015T1507-402		STRUCTURE ASSY-OUTBD SLAT NO. 9 WING LE (RH) (POST SB 767-57A0057) (FOR DETAILS SEE FIG. 2)	AQ	RF

# 57-43-55

 ILLUSTRATED PARTS LIST  
 01.1 Page 1042P  
 Nov 01/00

 **BOEING**  
COMPONENT  
MAINTENANCE MANUAL

FIG. & ITEM	PART NO.	AIRLINE PART NUMBER	NOMENCLATURE 1234567	EFF CODE	QTY PER ASSY
01- -5U	015T1507-404		STRUCTURE ASSY-OUTBD SLAT NO. 9 WING LE (RH) (POST SB 767-57A0057) (FOR DETAILS SEE FIG. 2)	AR	RF
-5V	015T1507-406		STRUCTURE ASSY-OUTBD SLAT NO. 9 WING LE (RH) (POST SB 767-57A0057) (FOR DETAILS SEE FIG. 2)	AS	RF
-5W	015T1507-444		STRUCTURE ASSY-OUTBD SLAT NO. 9 WING LE (RH) (POST SB 767-57A0057) (FOR DETAILS SEE FIG. 2)	AT	RF
-5X	015T1507-446		STRUCTURE ASSY-OUTBD SLAT NO. 9 WING LE (RH) (POST SB 767-57A0057) (FOR DETAILS SEE FIG. 2)	AU	RF
-5Y	015T1507-448		STRUCTURE ASSY-OUTBD SLAT NO. 9 WING LE (RH) (POST SB 767-57A0057) (FOR DETAILS SEE FIG. 2)	AV	RF
-5Z	015T1507-408		STRUCTURE ASSY-OUTBD SLAT NO. 9 WING LE (RH) (POST SB 767-57A0057) (FOR DETAILS SEE FIG. 3)	BE	RF
-6	015T1507-410		STRUCTURE ASSY-OUTBD SLAT NO. 9 WING LE (RH) (POST SB 767-57A0057) (FOR DETAILS SEE FIG. 3)	BF	RF
-6A	015T1507-412		STRUCTURE ASSY-OUTBD SLAT NO. 9 WING LE (RH) (POST SB 767-57A0057) (FOR DETAILS SEE FIG. 3)	BG	RF
-6B	015T1507-450		STRUCTURE ASSY-OUTBD SLAT NO. 9 WING LE (RH) (POST SB 767-57A0057) (FOR DETAILS SEE FIG. 3)	BH	RF
-6C	015T1507-452		STRUCTURE ASSY-OUTBD SLAT NO. 9 WING LE (RH) (POST SB 767-57A0057) (FOR DETAILS SEE FIG. 3)	BJ	RF
-6D	015T1507-454		STRUCTURE ASSY-OUTBD SLAT NO. 9 WING LE (RH) (POST SB 767-57A0057) (FOR DETAILS SEE FIG. 3)	BK	RF

**57-43-55**

ILLUSTRATED PARTS LIST  
01.1 Page 1042Q  
Nov 01/00

FIG. & ITEM	PART NO.	AIRLINE PART NUMBER	NOMENCLATURE 1234567	EFF CODE	QTY PER ASSY
01- -6E	015T1507-414		STRUCTURE ASSY-OUTBD SLAT NO. 9 WING LE (RH) (POST SB 767-57A0057) (FOR DETAILS SEE FIG. 3)	BL	RF
-6F	015T1507-456		STRUCTURE ASSY-OUTBD SLAT NO. 9 WING LE (RH) (POST SB 767-57A0057) (FOR DETAILS SEE FIG. 3)	BM	RF
-6G	015T1507-416		STRUCTURE ASSY-OUTBD SLAT NO. 9 WING LE (RH) (POST SB 767-57A0057) (FOR DETAILS SEE FIG. 4)	CQ	RF
-6H	015T1507-458		STRUCTURE ASSY-OUTBD SLAT NO. 9 WING LE (RH) (POST SB 767-57A0057) (FOR DETAILS SEE FIG. 4)	CR	RF
-6J	015T1507-418		STRUCTURE ASSY-OUTBD SLAT NO. 9 WING LE (RH) (POST SB 767-57A0057) (FOR DETAILS SEE FIG. 4)	CS	RF
-6K	015T1507-460		STRUCTURE ASSY-OUTBD SLAT NO. 9 WING LE (RH) (POST SB 767-57A0057) (FOR DETAILS SEE FIG. 4)	CT	RF
-6L	015T1507-420		STRUCTURE ASSY-OUTBD SLAT NO. 9 WING LE (RH) (POST SB 767-57A0057) (FOR DETAILS SEE FIG. 4)	CU	RF
-6M	015T1507-462		STRUCTURE ASSY-OUTBD SLAT NO. 9 WING LE (RH) (POST SB 767-57A0057) (FOR DETAILS SEE FIG. 4)	CV	RF
-6N	015T1507-422		STRUCTURE ASSY-OUTBD SLAT NO. 9 WING LE (RH) (POST SB 767-57A0057) (FOR DETAILS SEE FIG. 4)	CW	RF
-6P	015T1507-464		STRUCTURE ASSY-OUTBD SLAT NO. 9 WING LE (RH) (POST SB 767-57A0057) (FOR DETAILS SEE FIG. 4)	CX	RF
-6Q	015T1507-426		STRUCTURE ASSY-OUTBD SLAT NO. 9 WING LE (RH) (POST SB 767-57A0057) (FOR DETAILS SEE FIG. 4)	CY	RF

# 57-43-55

 ILLUSTRATED PARTS LIST  
 01.1 Page 1042R  
 Nov 01/00



**BOEING**  
COMPONENT  
MAINTENANCE MANUAL

FIG. & ITEM	PART NO.	AIRLINE PART NUMBER	NOMENCLATURE 1234567	EFF CODE	QTY PER ASSY
01- -6R	015T1507-428		STRUCTURE ASSY-OUTBD SLAT NO. 9 WING LE (RH) (POST SB 767-57A0057) (FOR DETAILS SEE FIG. 4)	CZ	RF
-6S	015T1507-430		STRUCTURE ASSY-OUTBD SLAT NO. 9 WING LE (RH) (POST SB 767-57A0057) (FOR DETAILS SEE FIG. 4)	DA	RF
-6T	015T1507-466		STRUCTURE ASSY-OUTBD SLAT NO. 9 WING LE (RH) (POST SB 767-57A0057) (FOR DETAILS SEE FIG. 4)	DB	RF
-6U	015T1507-468		STRUCTURE ASSY-OUTBD SLAT NO. 9 WING LE (RH) (POST SB 767-57A0057) (FOR DETAILS SEE FIG. 4)	DC	RF
-6V	015T1507-470		STRUCTURE ASSY-OUTBD SLAT NO. 9 WING LE (RH) (POST SB 767-57A0057) (FOR DETAILS SEE FIG. 4)	DD	RF
-6W	015T1507-432		STRUCTURE ASSY-OUTBD SLAT NO. 9 WING LE (RH) (POST SB 767-57A0057) (FOR DETAILS SEE FIG. 4)	DE	RF
-6X	015T1507-472		STRUCTURE ASSY-OUTBD SLAT NO. 9 WING LE (RH) (POST SB 767-57A0057) (FOR DETAILS SEE FIG. 4)	DF	RF
-6Y	015T1507-434		STRUCTURE ASSY-OUTBD SLAT NO. 9 WING LE (RH) (POST SB 767-57A0057) (FOR DETAILS SEE FIG. 4)	DG	RF
-6Z	015T1507-474		STRUCTURE ASSY-OUTBD SLAT NO. 9 WING LE (RH) (POST SB 767-57A0057) (FOR DETAILS SEE FIG. 4)	DH	RF
-7	015T1507-436		STRUCTURE ASSY-OUTBD SLAT NO. 9 WING LE (RH) (POST SB 767-57A0057) (FOR DETAILS SEE FIG. 4)	DJ	RF
-7A	015T1507-476		STRUCTURE ASSY-OUTBD SLAT NO. 9 WING LE (RH) (POST SB 767-57A0057) (FOR DETAILS SEE FIG. 4)	DK	RF

**57-43-55**

ILLUSTRATED PARTS LIST  
01.1 Page 1042S  
Nov 01/00

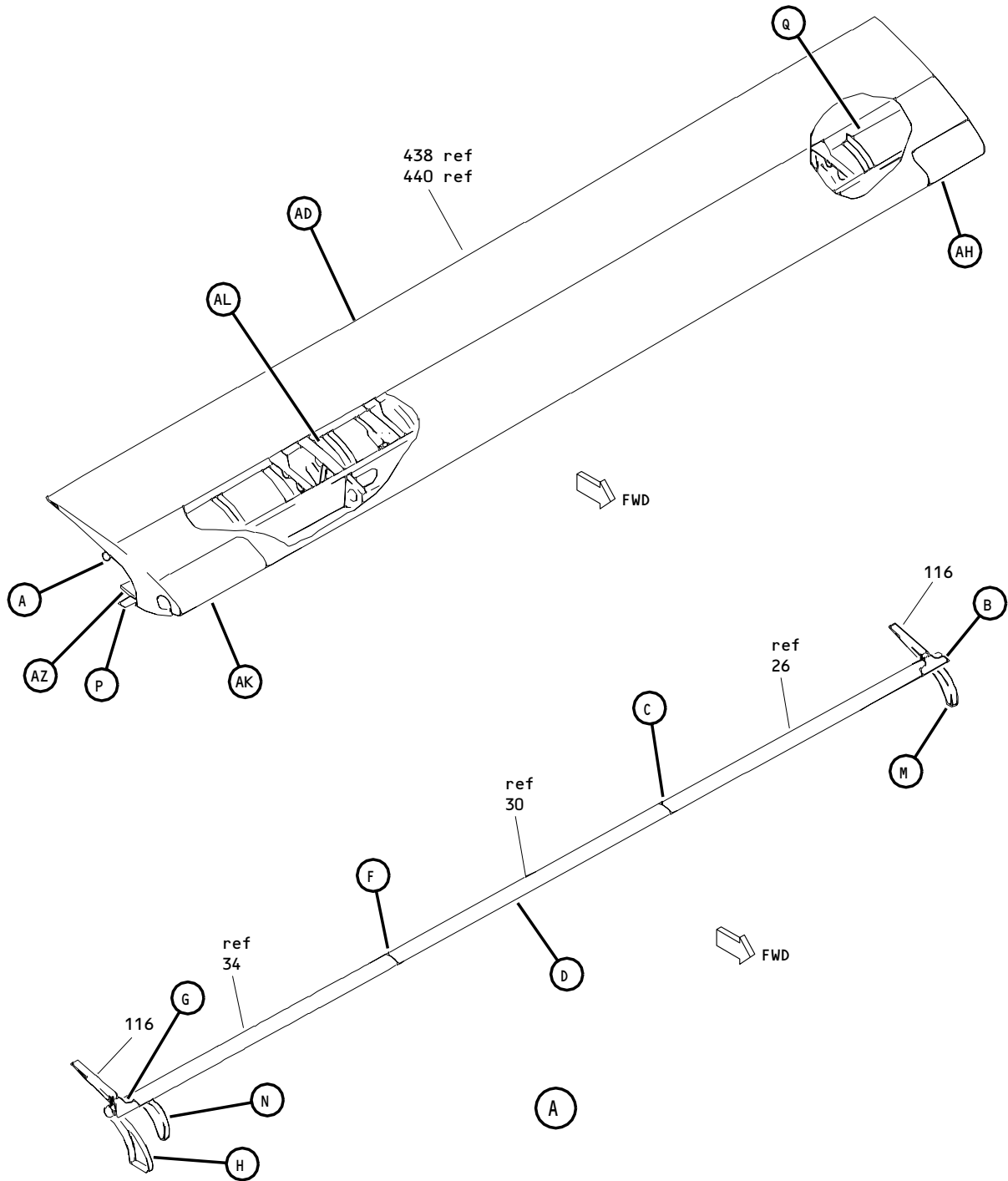
FIG. & ITEM	PART NO.	AIRLINE PART NUMBER	NOMENCLATURE 1234567	EFF CODE	QTY PER ASSY
01- -7B	015T1507-438		STRUCTURE ASSY-OUTBD SLAT NO. 9 WING LE (RH) (POST SB 767-57A0057) (FOR DETAILS SEE FIG. 4)	DL	RF
-7C	015T1507-478		STRUCTURE ASSY-OUTBD SLAT NO. 9 WING LE (RH) (POST SB 767-57A0057) (FOR DETAILS SEE FIG. 4)	DM	RF
-7D	015T1507-440		STRUCTURE ASSY-OUTBD SLAT NO. 9 WING LE (RH) (POST SB 767-57A0057) (FOR DETAILS SEE FIG. 4)	DN	RF
-7E	015T1507-480		STRUCTURE ASSY-OUTBD SLAT NO. 9 WING LE (RH) (POST SB 767-57A0057) (FOR DETAILS SEE FIG. 4)	DP	RF
-7F	015T1507-442		STRUCTURE ASSY-OUTBD SLAT NO. 9 WING LE (RH) (POST SB 767-57A0057) (FOR DETAILS SEE FIG. 4)	DQ	RF
-7G	015T1507-482		STRUCTURE ASSY-OUTBD SLAT NO. 9 WING LE (RH) (POST SB 767-57A0057) (FOR DETAILS SEE FIG. 4)	DR	RF
-7H	114T4104-58SP		STRUCTURE ASSY-OUTBD SLAT NO. 9 WING LE (RH) (FOR DETAILS SEE FIG. 4)	DU	RF
-7J	114T4104-60SP		STRUCTURE ASSY-OUTBD SLAT NO. 9 WING LE (RH) (FOR DETAILS SEE FIG. 4)	DV	RF
-7K	114T4104-402SP		STRUCTURE ASSY-OUTBD SLAT NO. 9 WING LE (RH) (FOR DETAILS SEE FIG. 4)	DX	RF
-7L	114T4104-404G		STRUCTURE ASSY-OUTBD SLAT NO. 9 WING LE (RH) (FOR DETAILS SEE FIG. 4)	EA	RF
-7M	114T4104-404P		STRUCTURE ASSY-OUTBD SLAT NO. 9 WING LE (RH) (FOR DETAILS SEE FIG. 4)	EB	RF

- Item Not Illustrated

# 57-43-55

 ILLUSTRATED PARTS LIST  
 01.1 Page 1042T  
 Nov 01/00

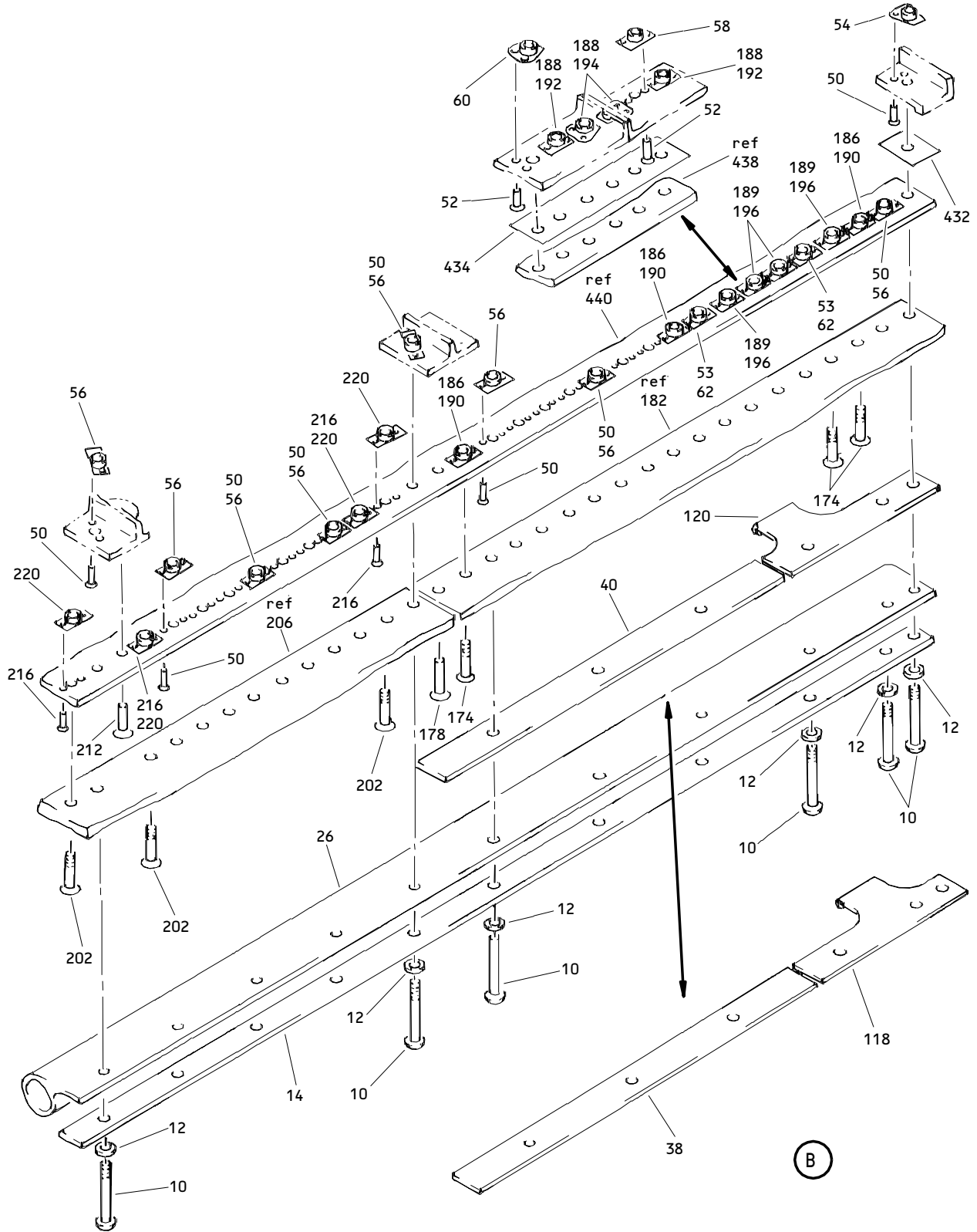




Outboard Slat No. 4 Wing Leading Edge Structure Assembly  
Figure 2 (Sheet 1)

**57-43-55**

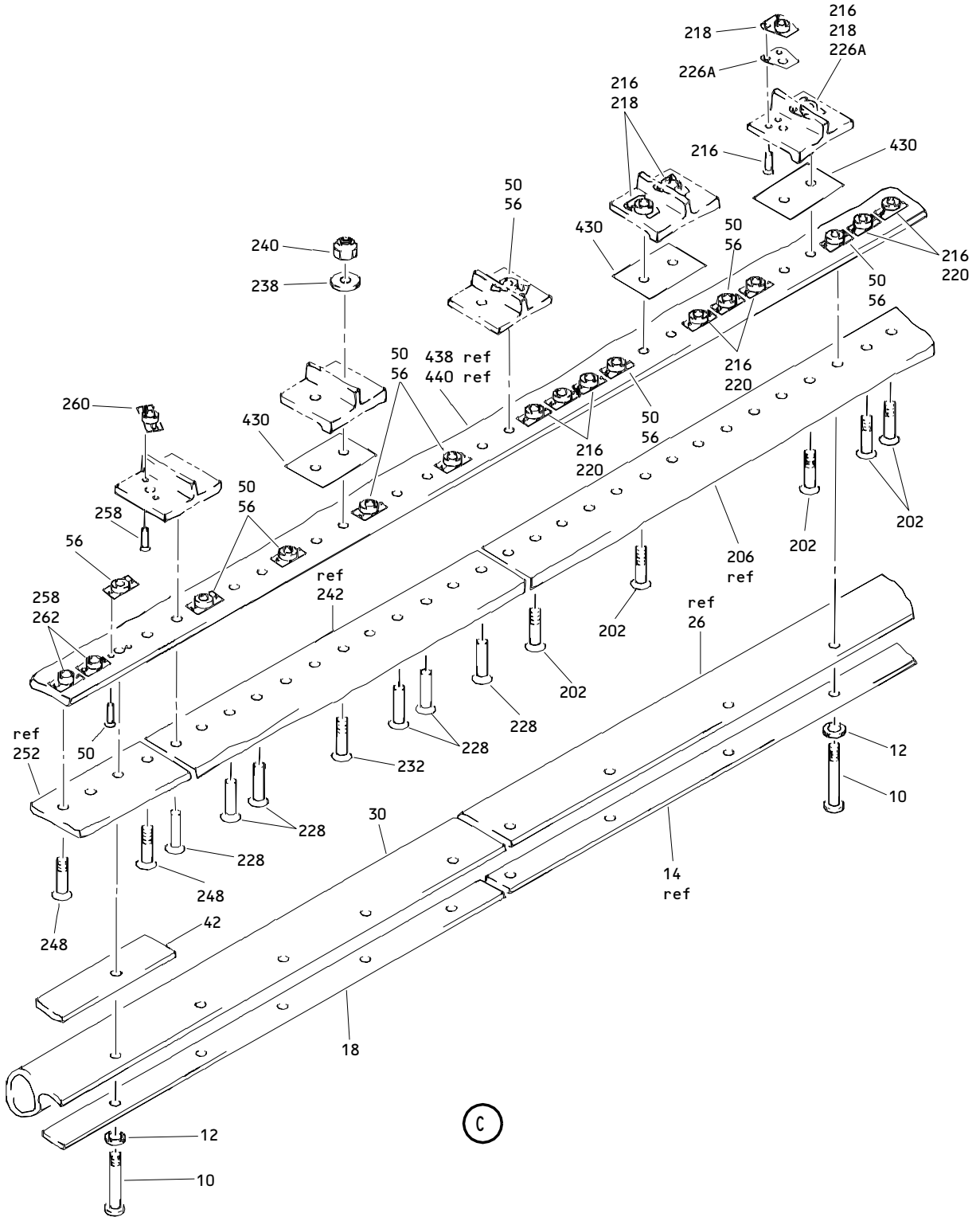
ILLUSTRATED PARTS LIST  
01.1 Page 1042U  
Nov 01/00



Outboard Slat No. 4 Wing Leading Edge Structure Assembly  
 Figure 2 (Sheet 2)

**57-43-55**

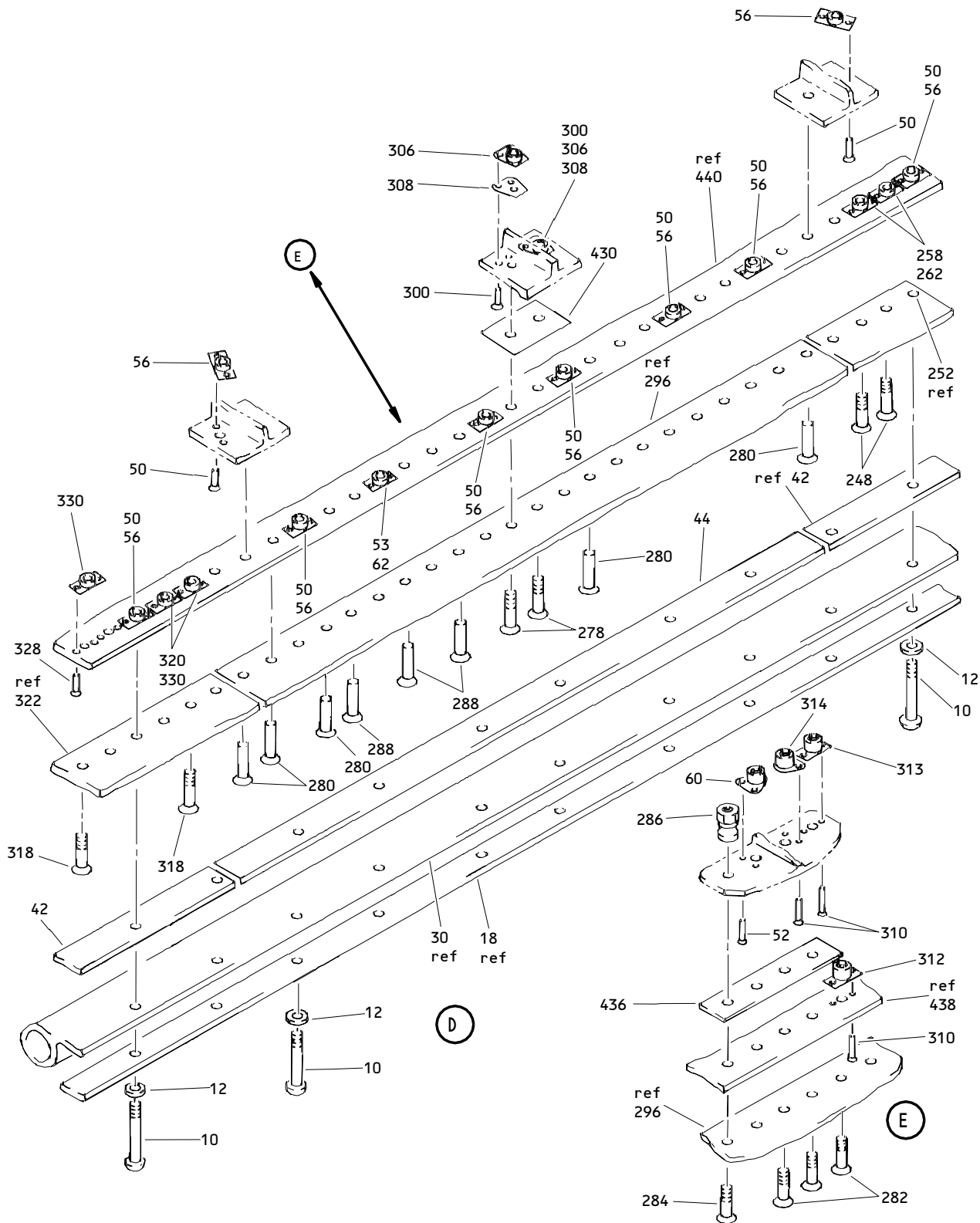
ILLUSTRATED PARTS LIST  
 01.1 Page 1042V  
 Nov 01/00



Outboard Slat No. 4 Wing Leading Edge Structure Assembly  
Figure 2 (Sheet 3)

**57-43-55**

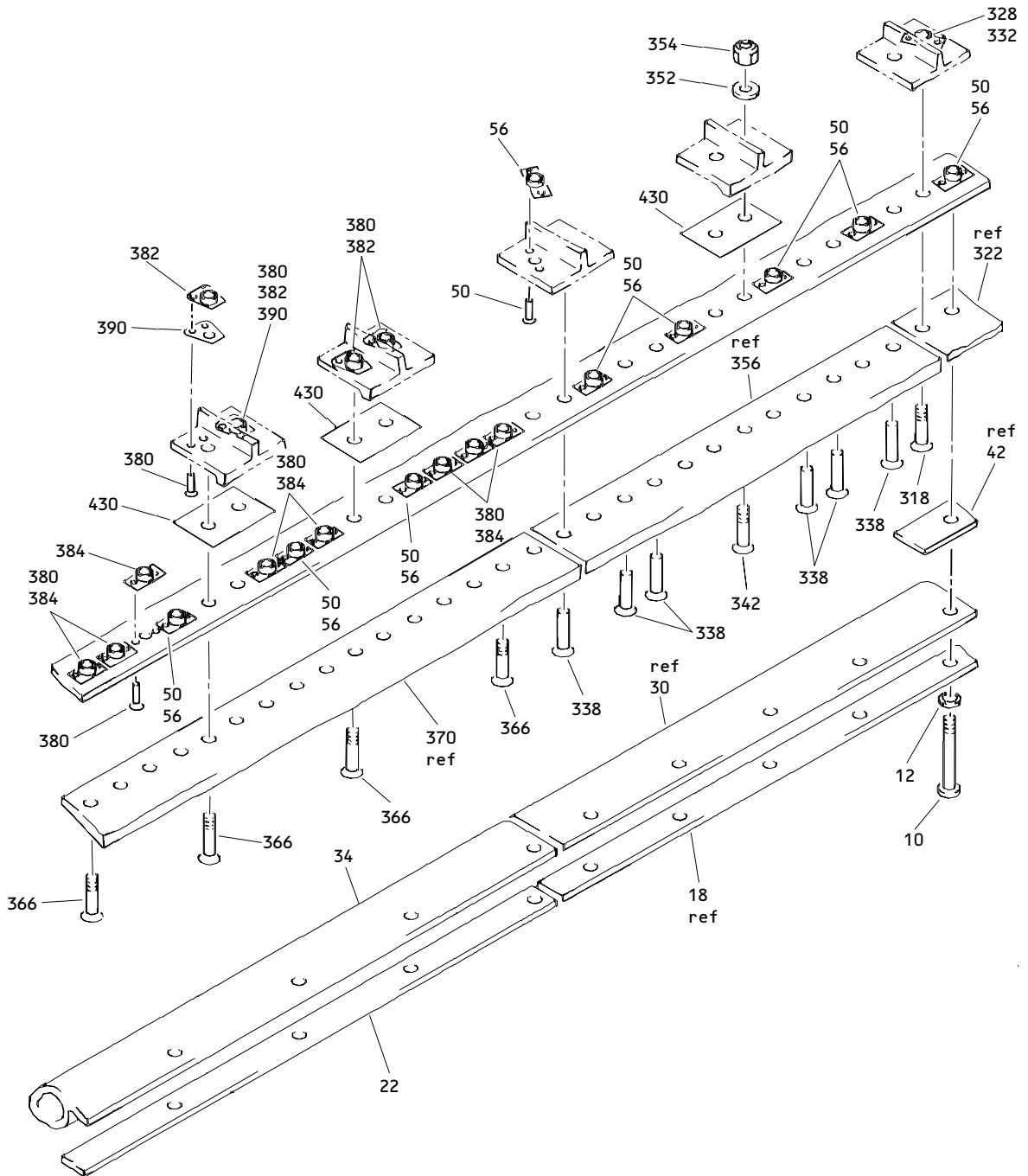
ILLUSTRATED PARTS LIST  
01.1 Page 1042W  
Nov 01/00



Outboard Slat No. 4 Wing Leading Edge Structure Assembly  
 Figure 2 (Sheet 4)

**57-43-55**

ILLUSTRATED PARTS LIST  
 01.1 Page 1042X  
 Nov 01/00

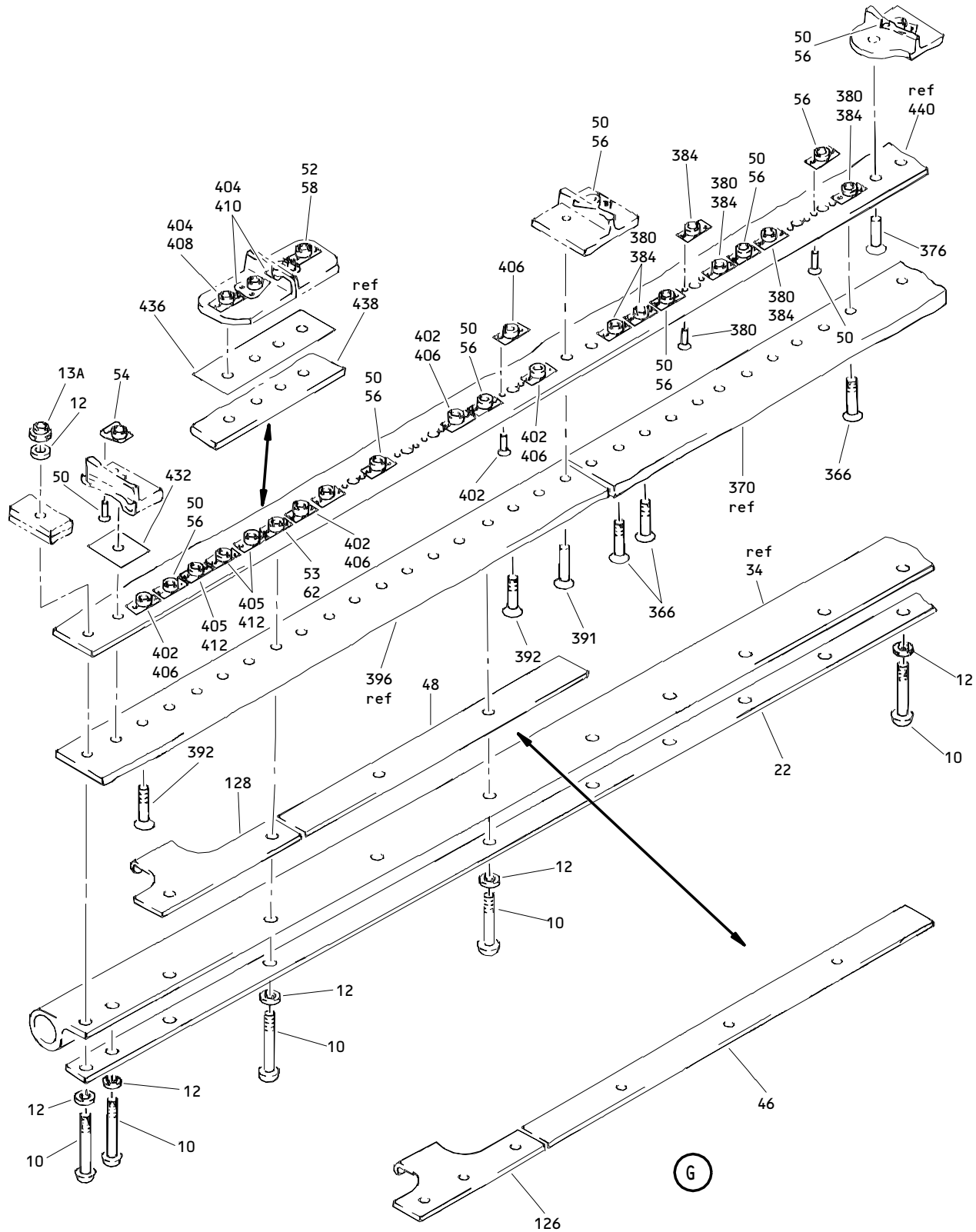


(F)

Outboard Slat No. 4 Wing Leading Edge Structure Assembly  
Figure 2 (Sheet 5)

**57-43-55**

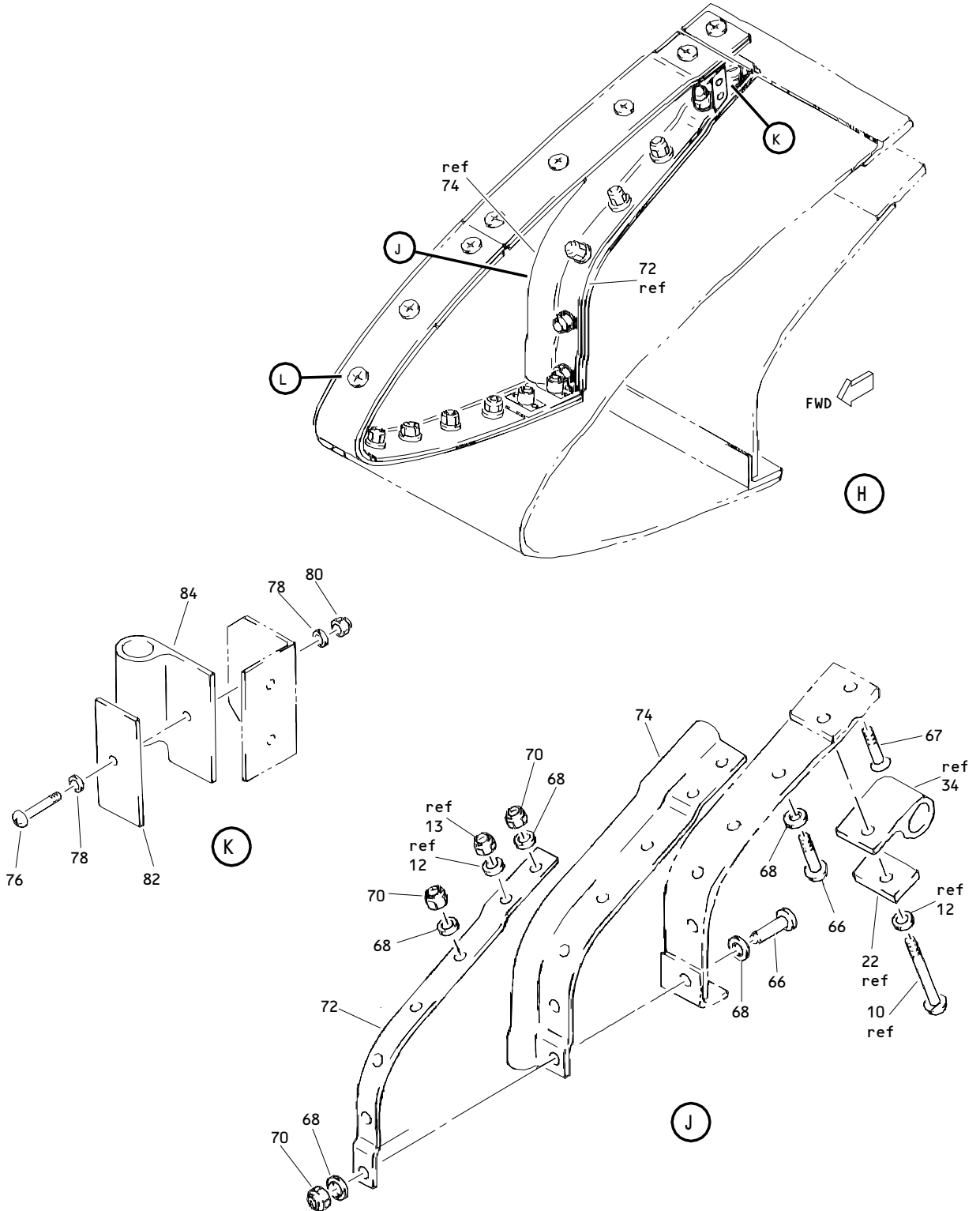
ILLUSTRATED PARTS LIST  
01.1 Page 1042Y  
Nov 01/00



Outboard Slat No. 4 Wing Leading Edge Structure Assembly  
 Figure 2 (Sheet 6)

**57-43-55**

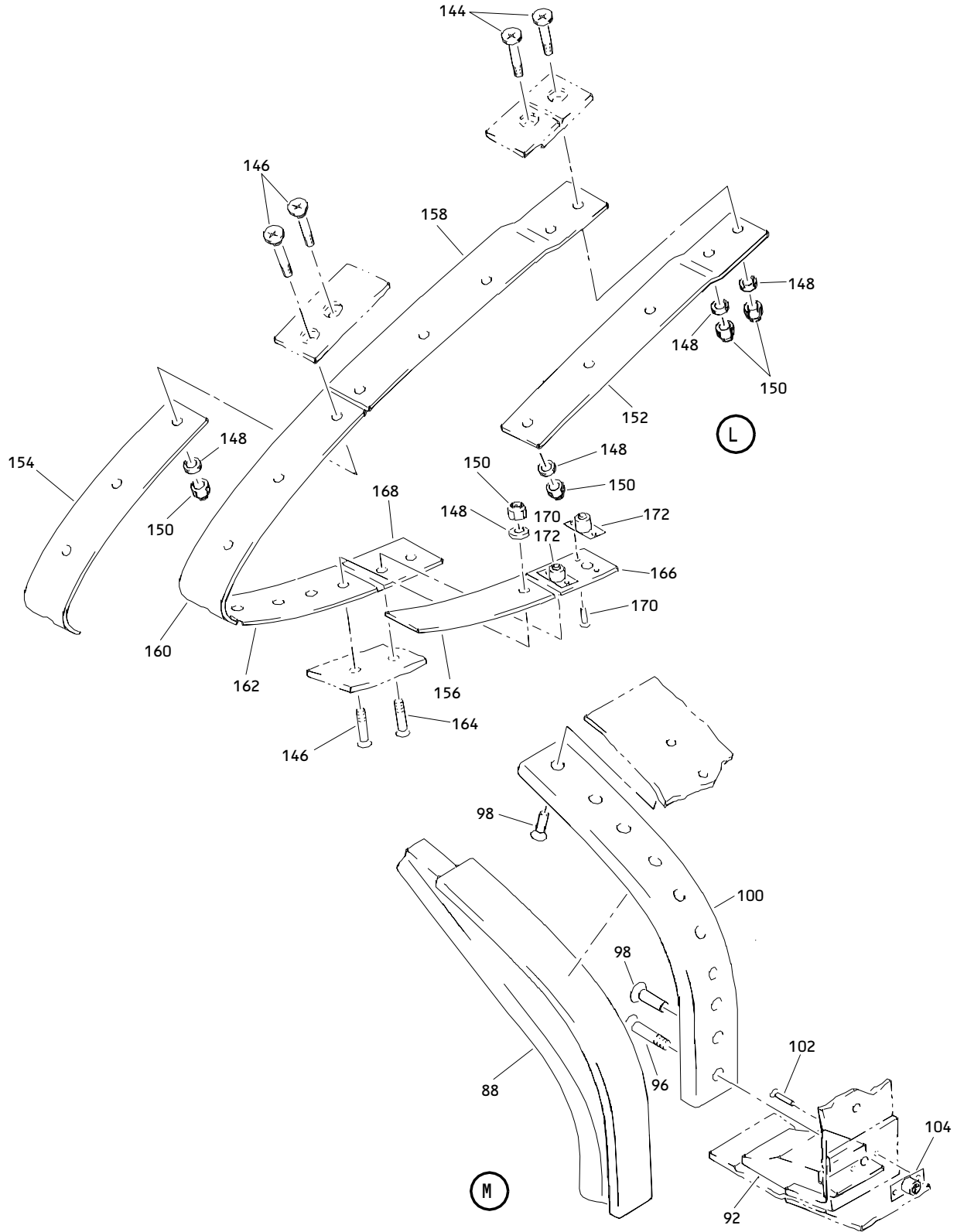
ILLUSTRATED PARTS LIST  
 01.1 Page 10422  
 Nov 01/00



Outboard Slat No. 4 Wing Leading Edge Structure Assembly  
Figure 2 (Sheet 7)

**57-43-55**

ILLUSTRATED PARTS LIST  
01.1 Page 1043  
Nov 01/00

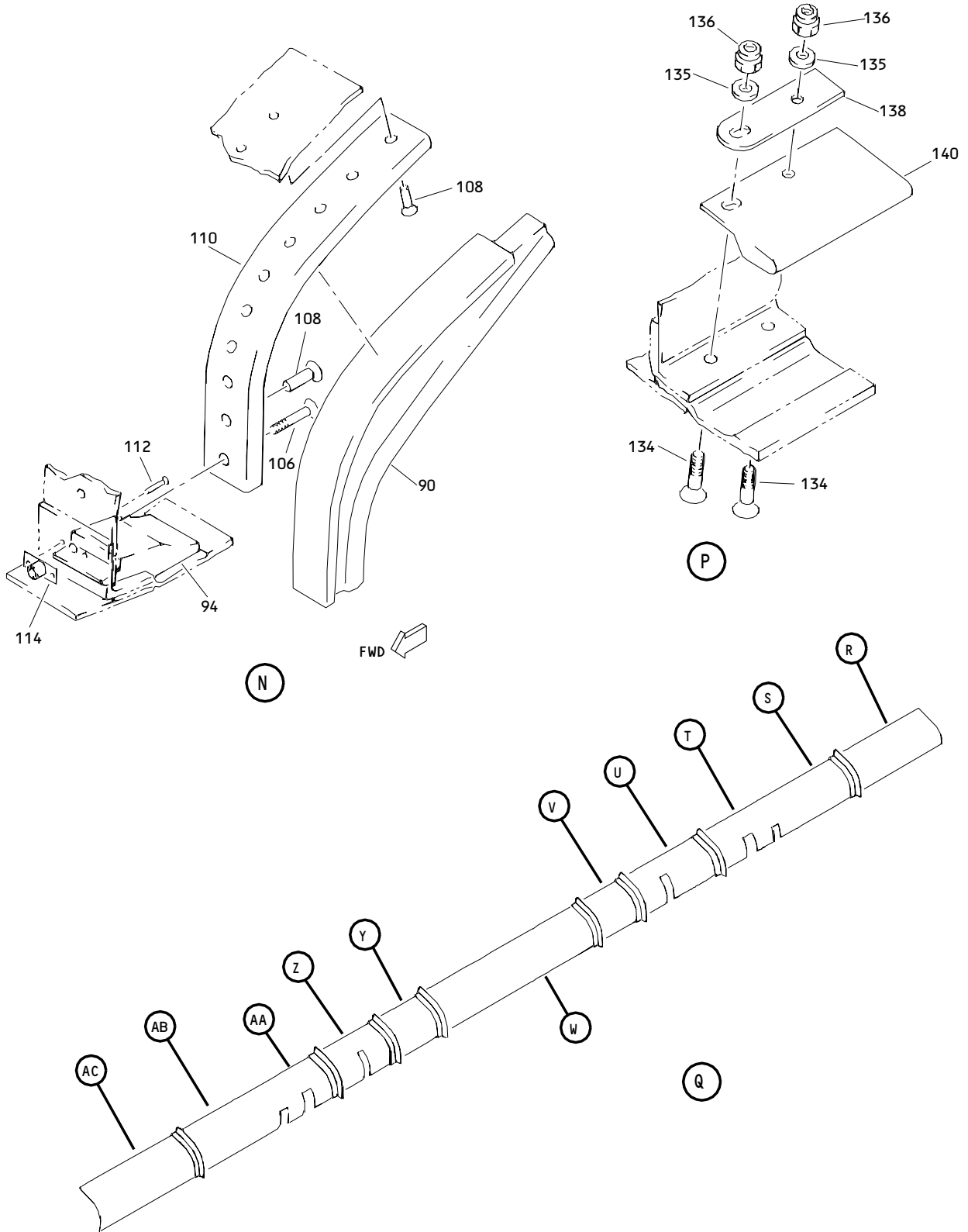


Outboard Slat No. 4 Wing Leading Edge Structure Assembly  
 Figure 2 (Sheet 8)

**57-43-55**

ILLUSTRATED PARTS LIST  
 01.1 Page 1044  
 Nov 01/00

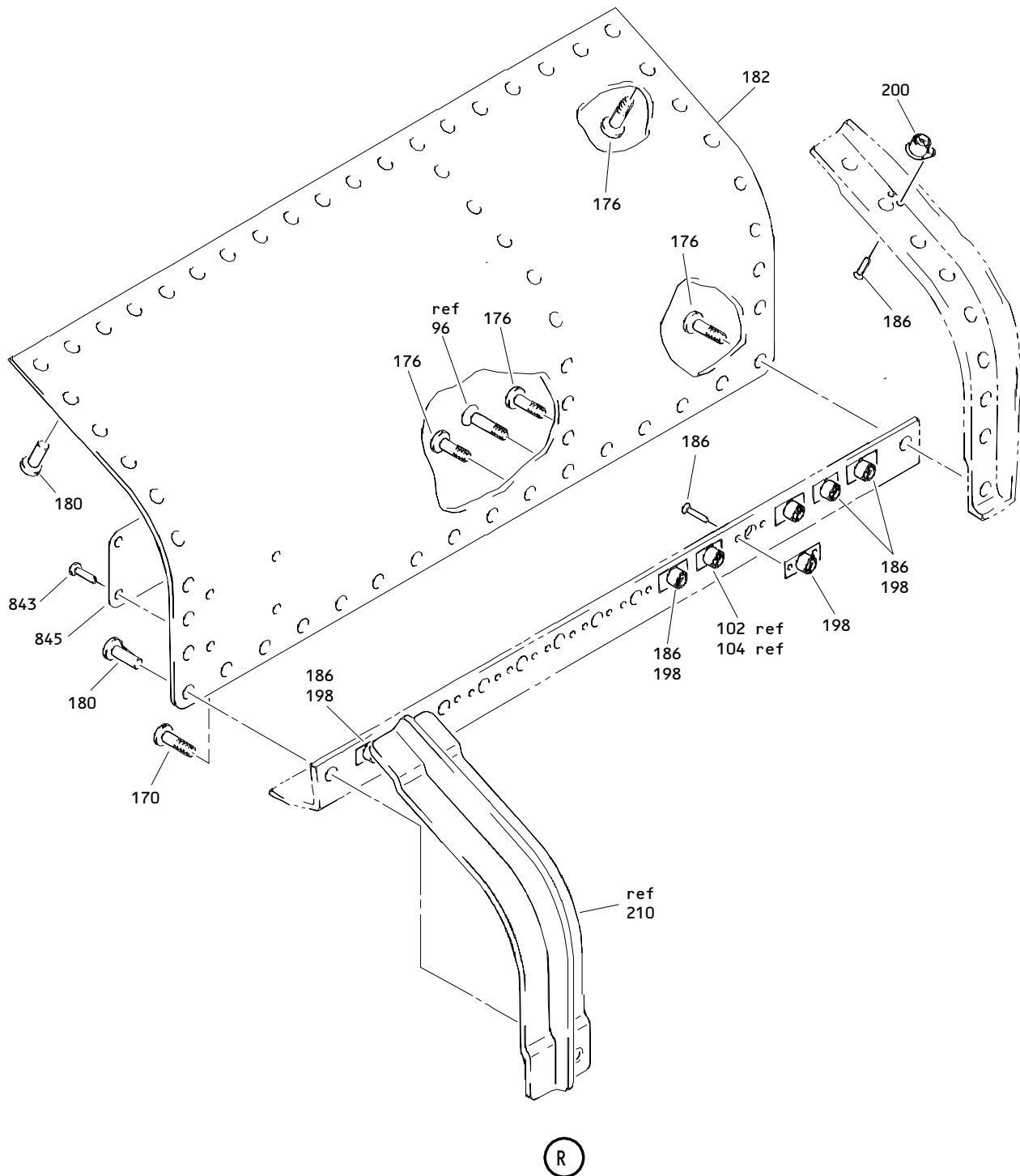




Outboard Slat No. 4 Wing Leading edge Structure Assembly  
Figure 2 (Sheet 9)

**57-43-55**

ILLUSTRATED PARTS LIST  
01.1 Page 1044A  
Nov 01/00

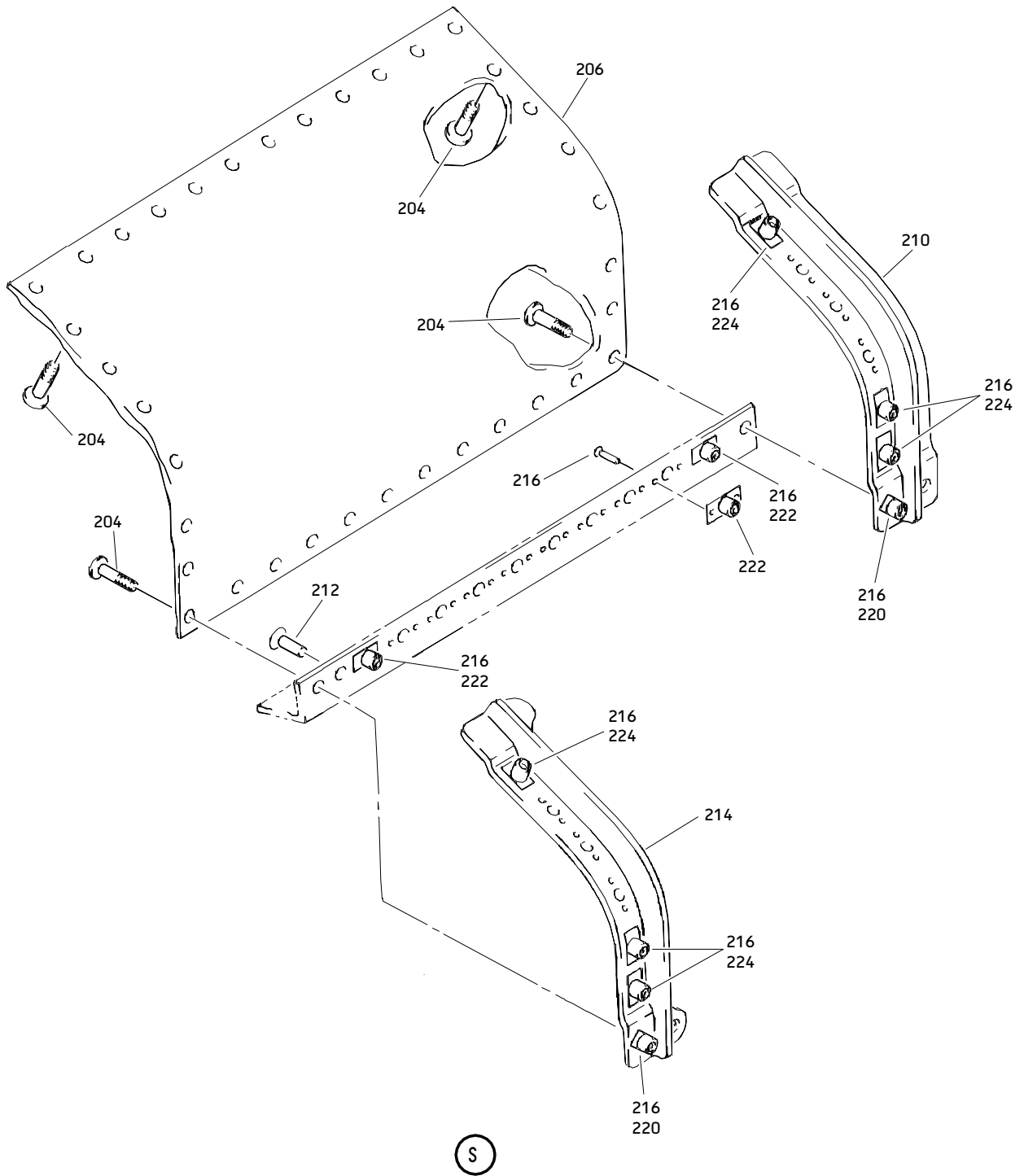


Outboard Slat No. 4 Wing Leading Edge Structure Assembly  
 Figure 2 (Sheet 10)

**57-43-55**

ILLUSTRATED PARTS LIST  
 01.1 Page 1044B  
 Nov 01/00

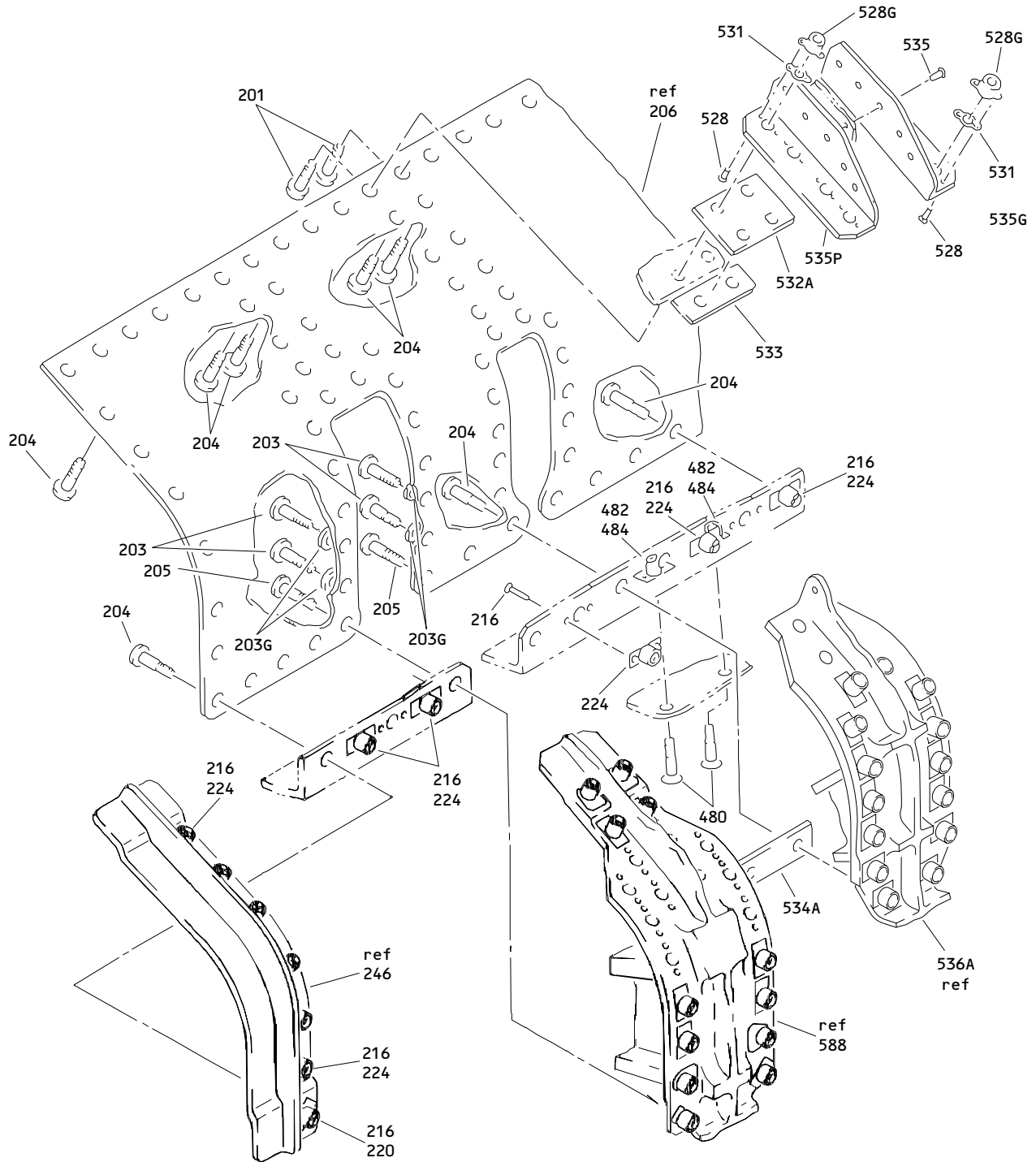
T77627



Outboard Slat No. 4 Wing Leading Edge Structure Assembly  
Figure 2 (Sheet 11)

**57-43-55**

ILLUSTRATED PARTS LIST  
01.1 Page 1044C  
Nov 01/00

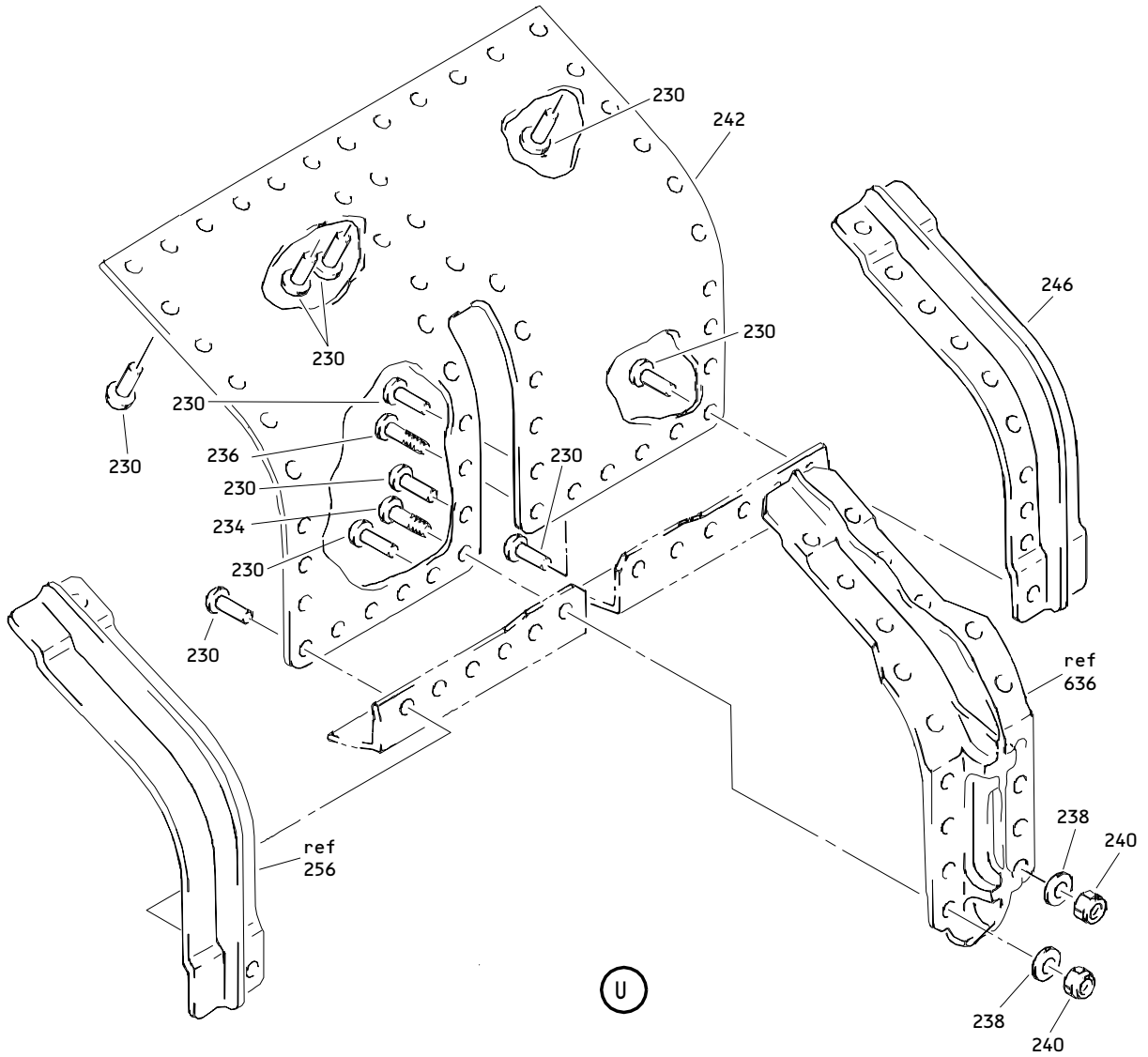


(T)

Outboard Slat No. 4 Wing Leading Edge Structure Assembly  
 Figure 2 (Sheet 12)

**57-43-55**

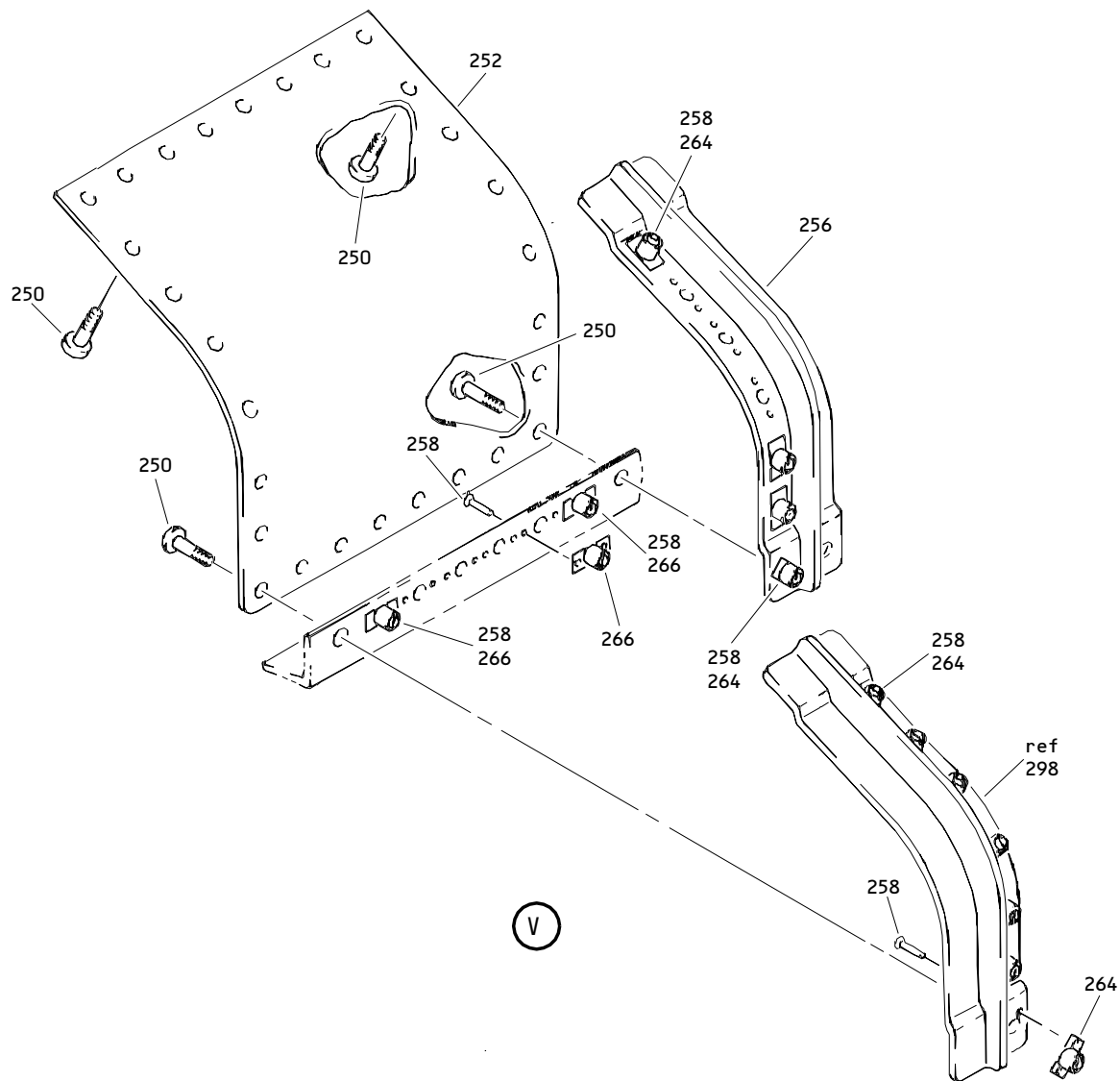
ILLUSTRATED PARTS LIST  
 01.1 Page 1044D  
 Nov 01/00



Outboard Slat No. 4 Wing Leading Edge Structure Assembly  
Figure 2 (Sheet 13)

**57-43-55**

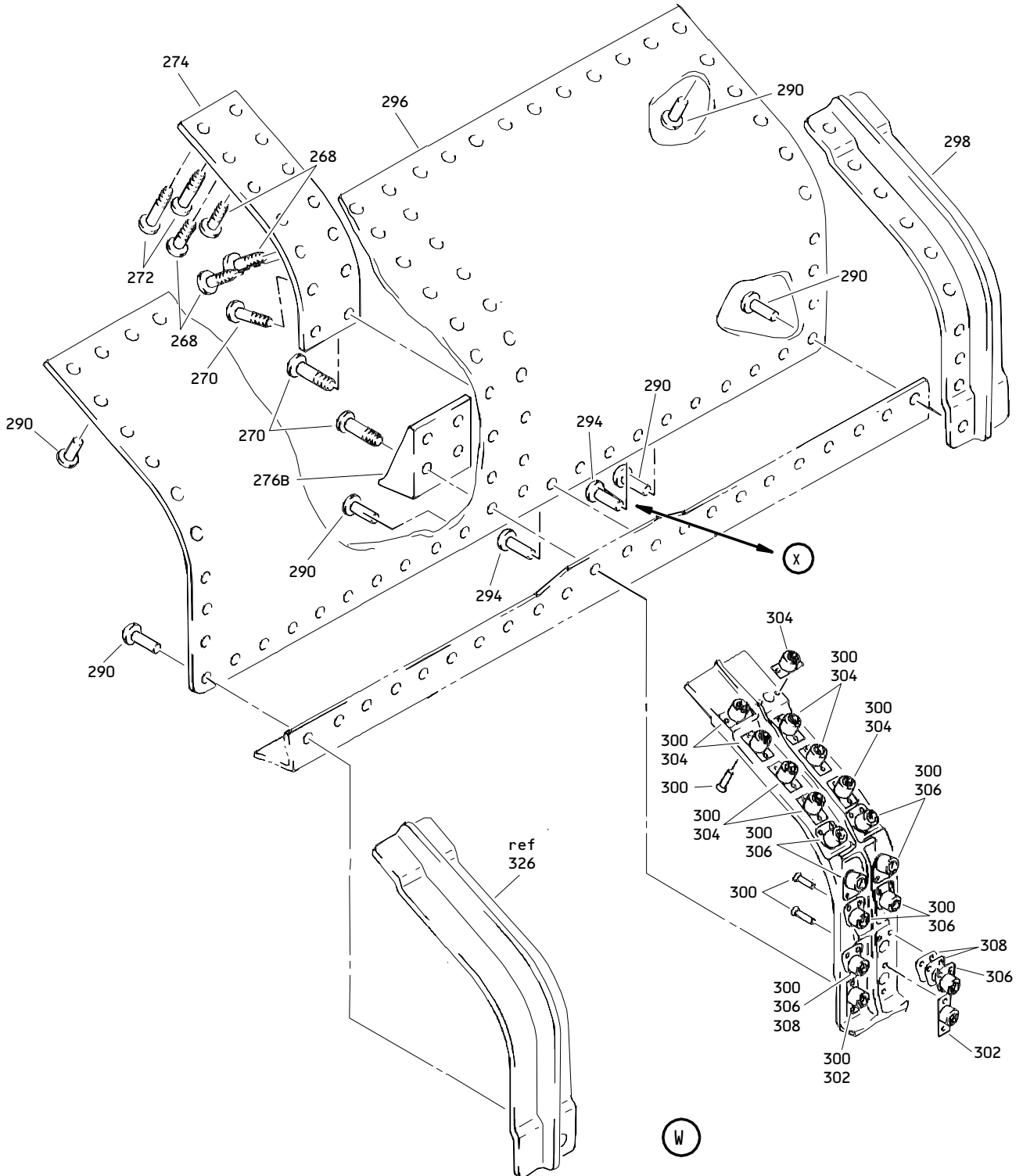
ILLUSTRATED PARTS LIST  
01.1 Page 1044E  
Nov 01/00



Outboard Slat No. 4 Wing Leading Edge Structure Assembly  
 Figure 2 (Sheet 14)

**57-43-55**

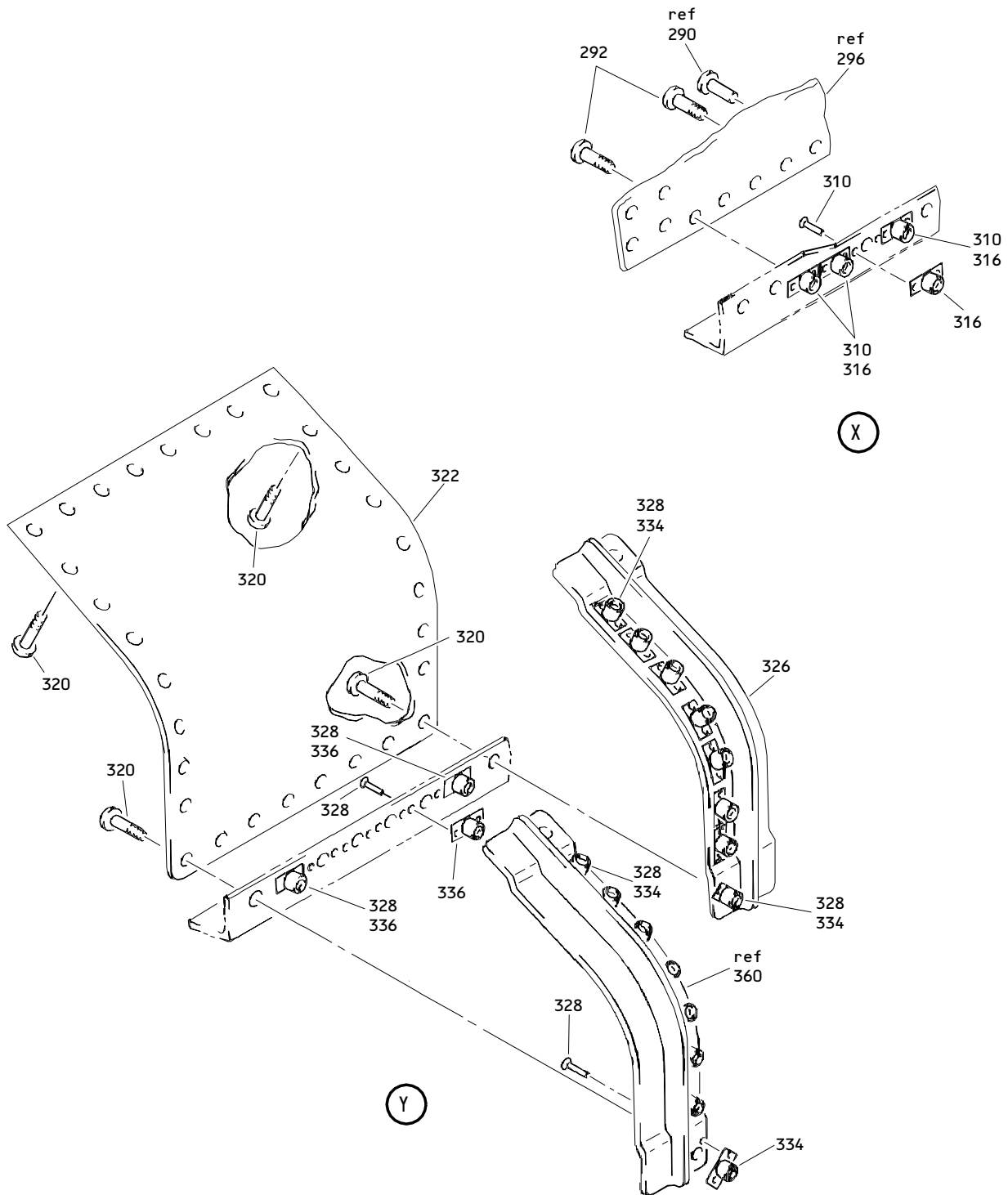
ILLUSTRATED PARTS LIST  
 01.1 Page 1044F  
 Nov 01/00



Outboard Slat No. 4 Wing Leading Edge Structure Assembly  
Figure 2 (Sheet 15)

**57-43-55**

ILLUSTRATED PARTS LIST  
01.1 Page 1044G  
Nov 01/00

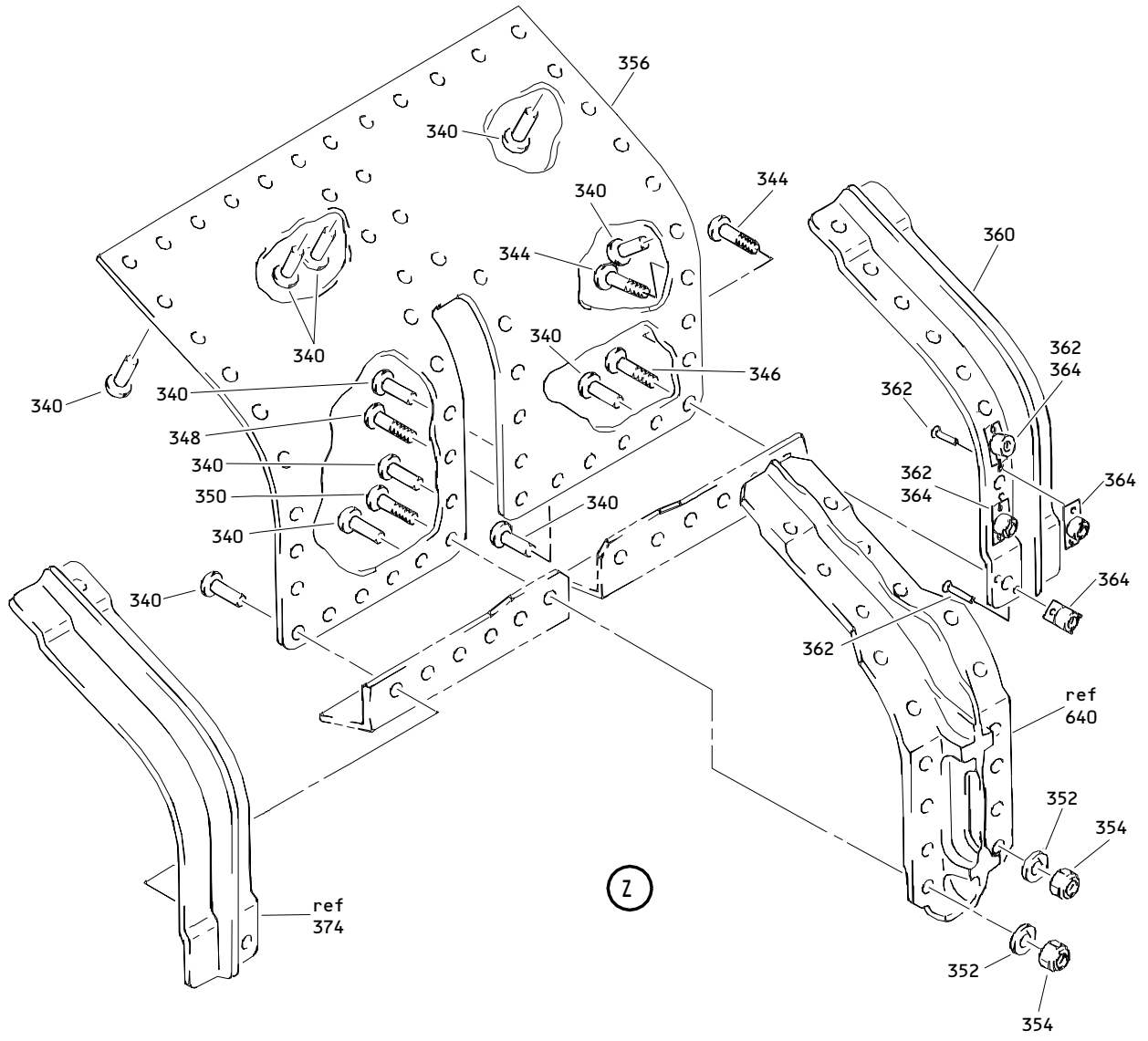


Outboard Slat No. 4 Wing Leading Edge Structure Assembly  
 Figure 2 (Sheet 16)

**57-43-55**

ILLUSTRATED PARTS LIST  
 01.1 Page 1044H  
 Nov 01/00

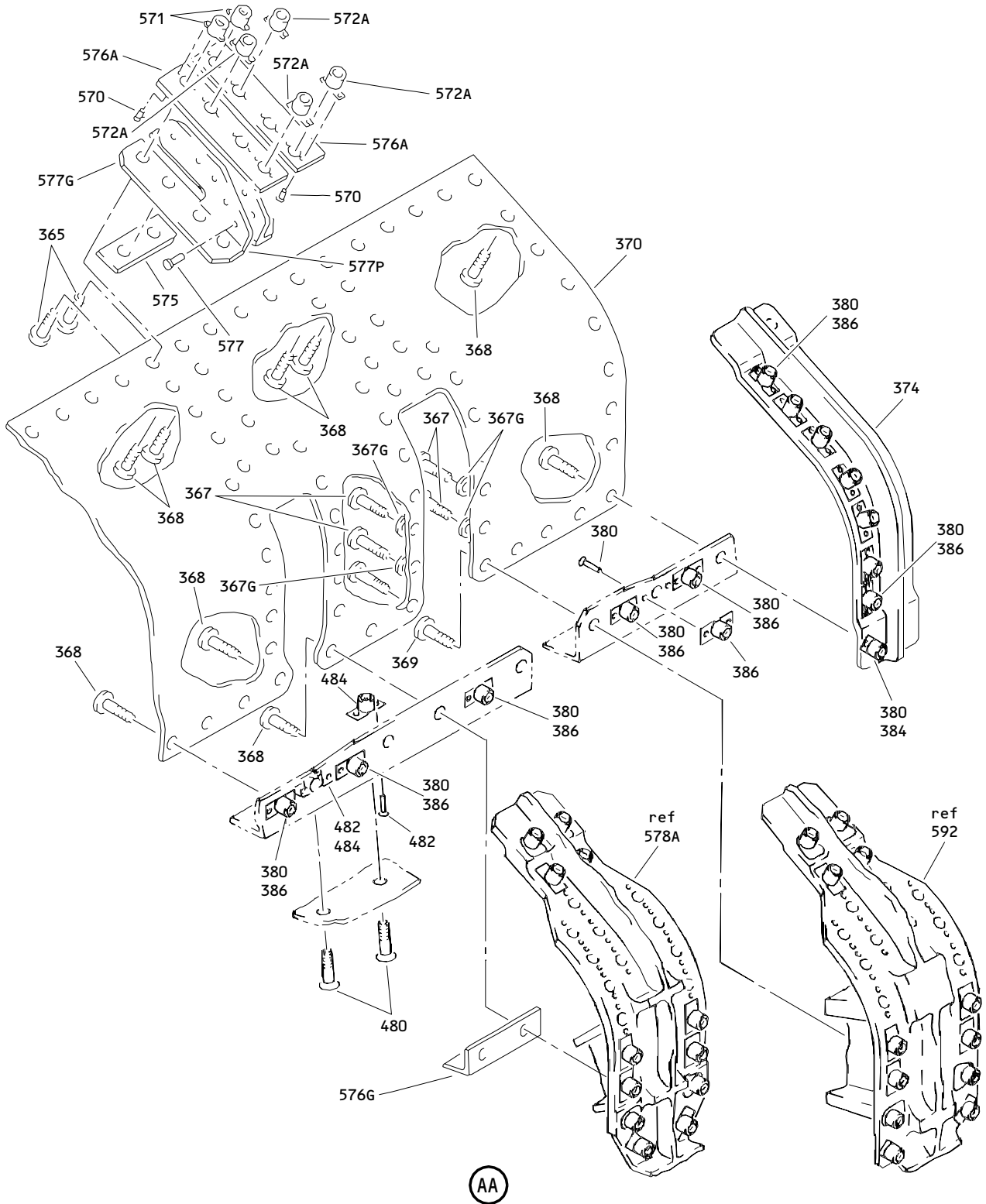




Outboard Slat No. 4 Wing Leading Edge Structure Assembly  
Figure 2 (Sheet 17)

**57-43-55**

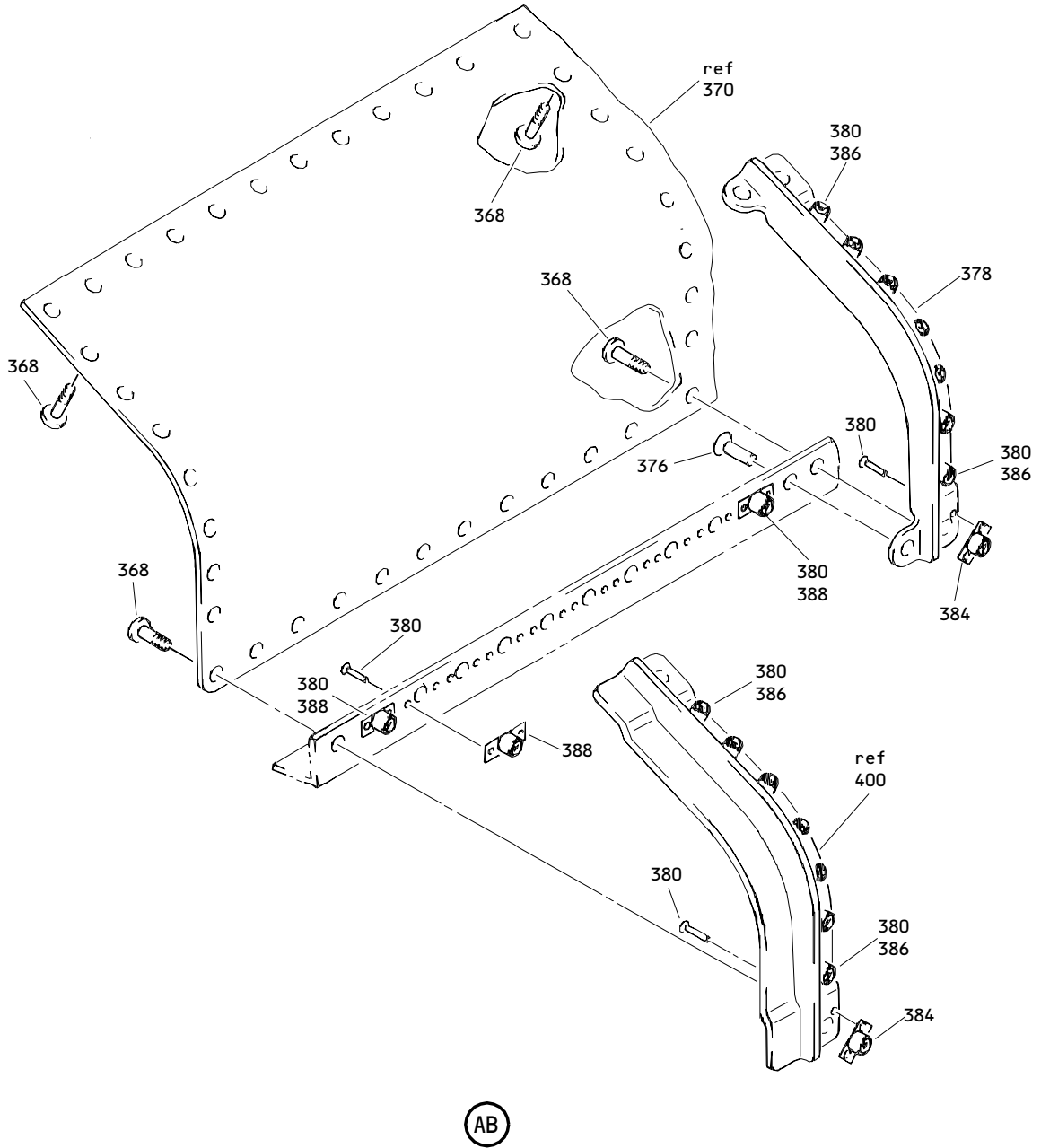
ILLUSTRATED PARTS LIST  
01.1 Page 1044I  
Nov 01/00



Outboard Slat No. 4 Wing Leading Edge Structure Assembly  
 Figure 2 (Sheet 18)

**57-43-55**

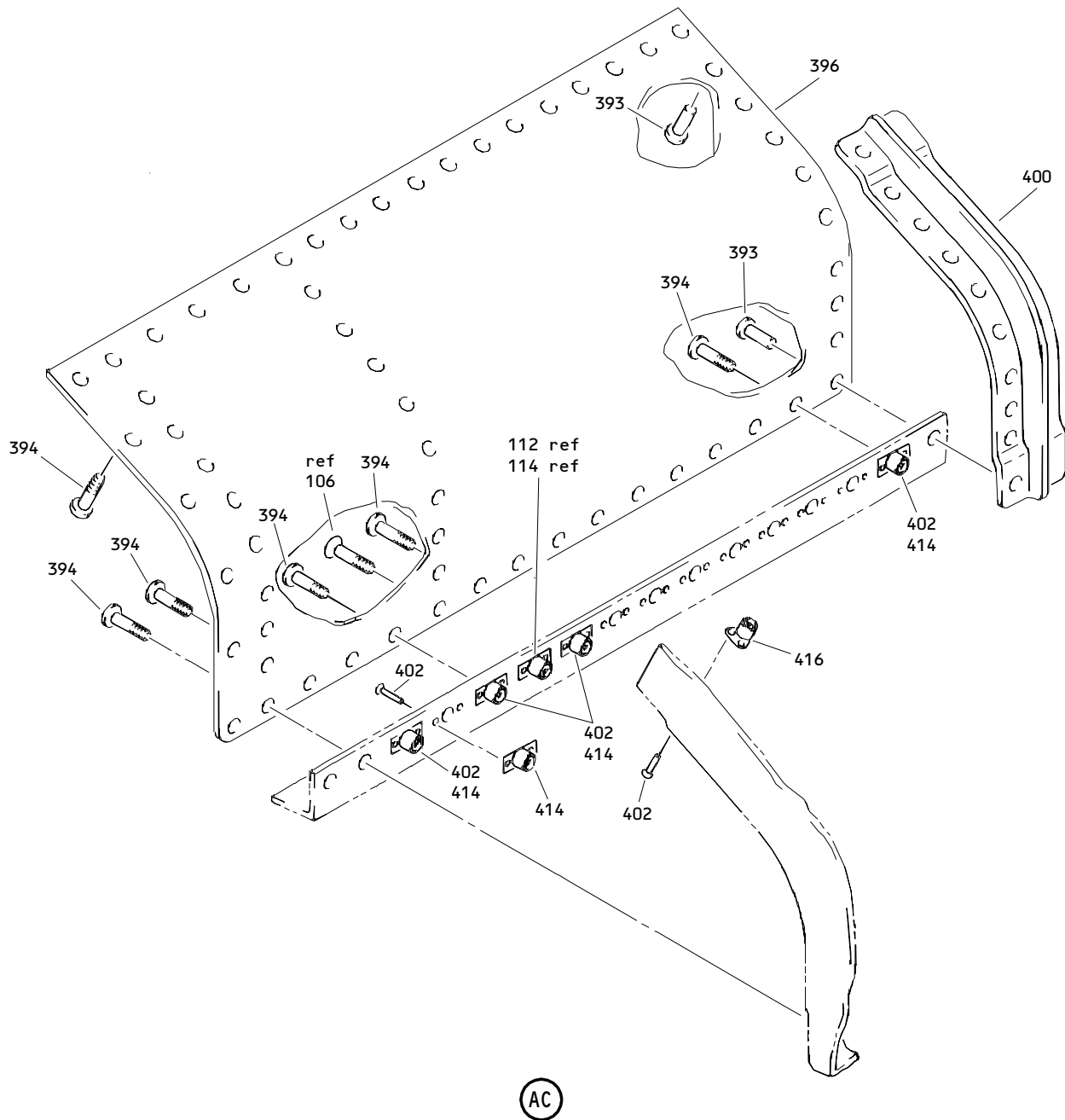
ILLUSTRATED PARTS LIST  
 01.1 Page 1044J  
 Nov 01/00



Outboard Slat No. 4 Wing Leading Edge Structure Assembly  
Figure 2 (Sheet 19)

**57-43-55**

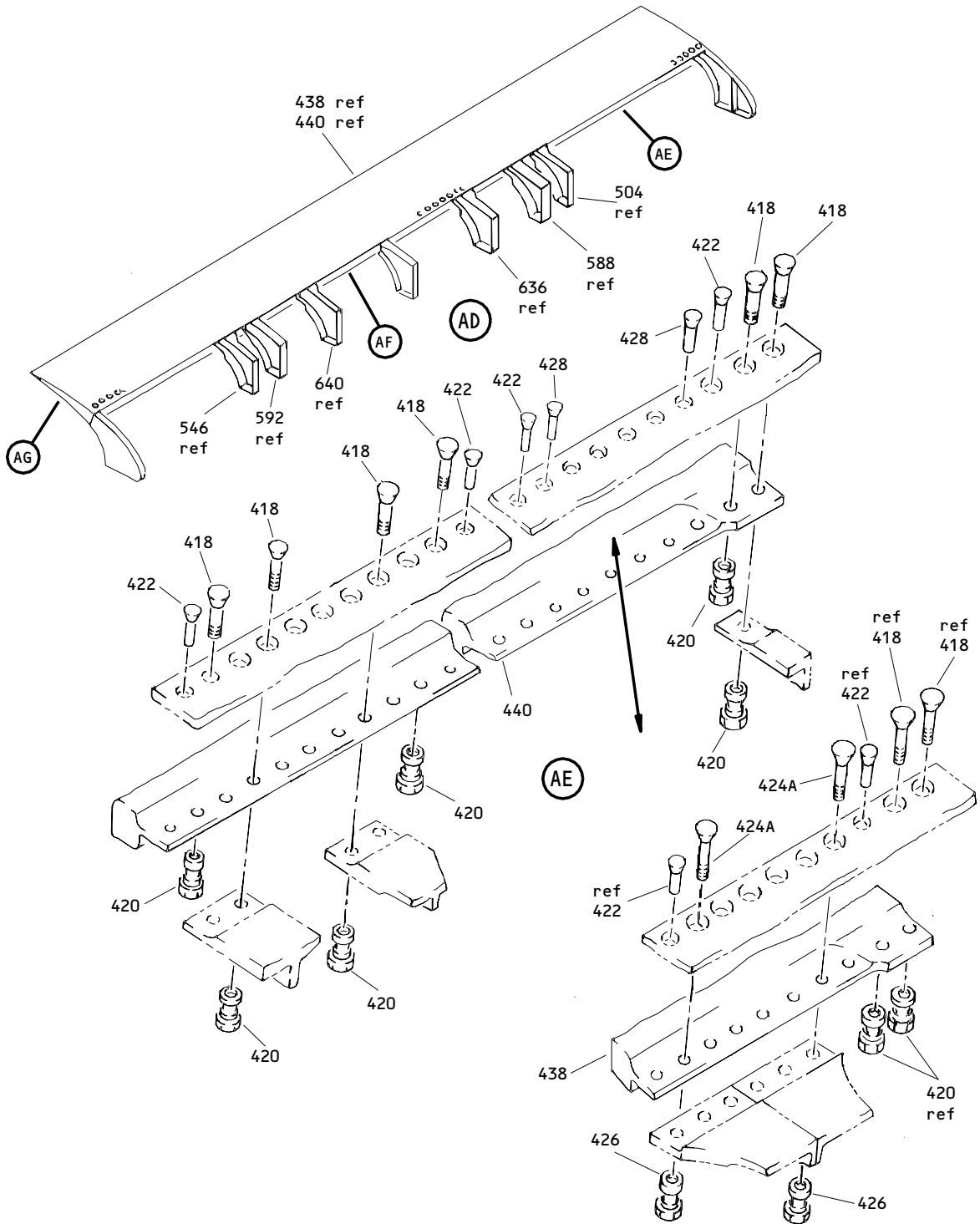
ILLUSTRATED PARTS LIST  
01.1 Page 1044K  
Nov 01/00



Outboard Slat No. 4 Wing Leading Edge Structure Assembly  
 Figure 2 (Sheet 20)

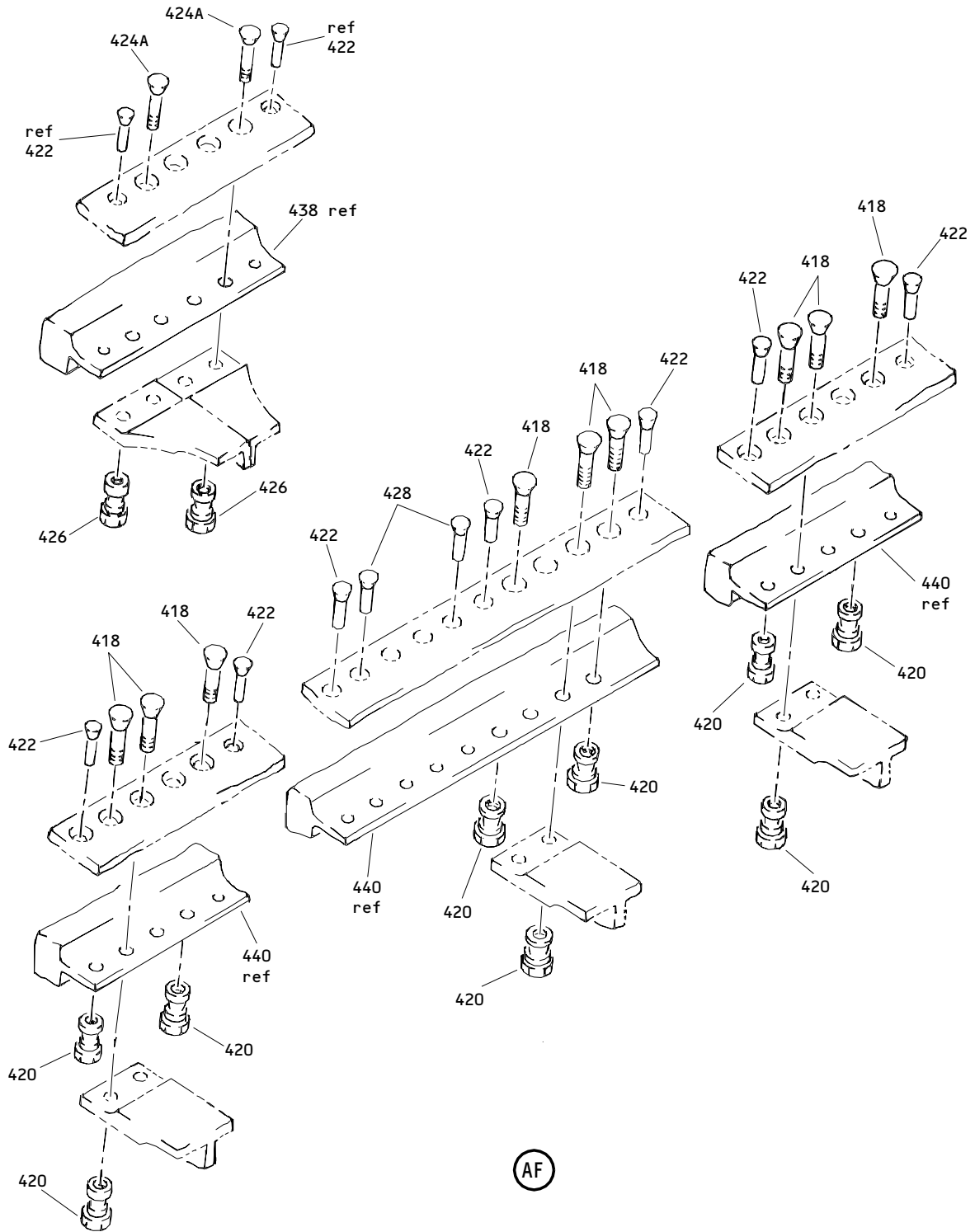
**57-43-55**

ILLUSTRATED PARTS LIST  
 01.1 Page 1044L  
 Nov 01/00



Outboard Slat No. 4 Wing Leading Edge Structure Assembly  
Figure 2 (Sheet 21)

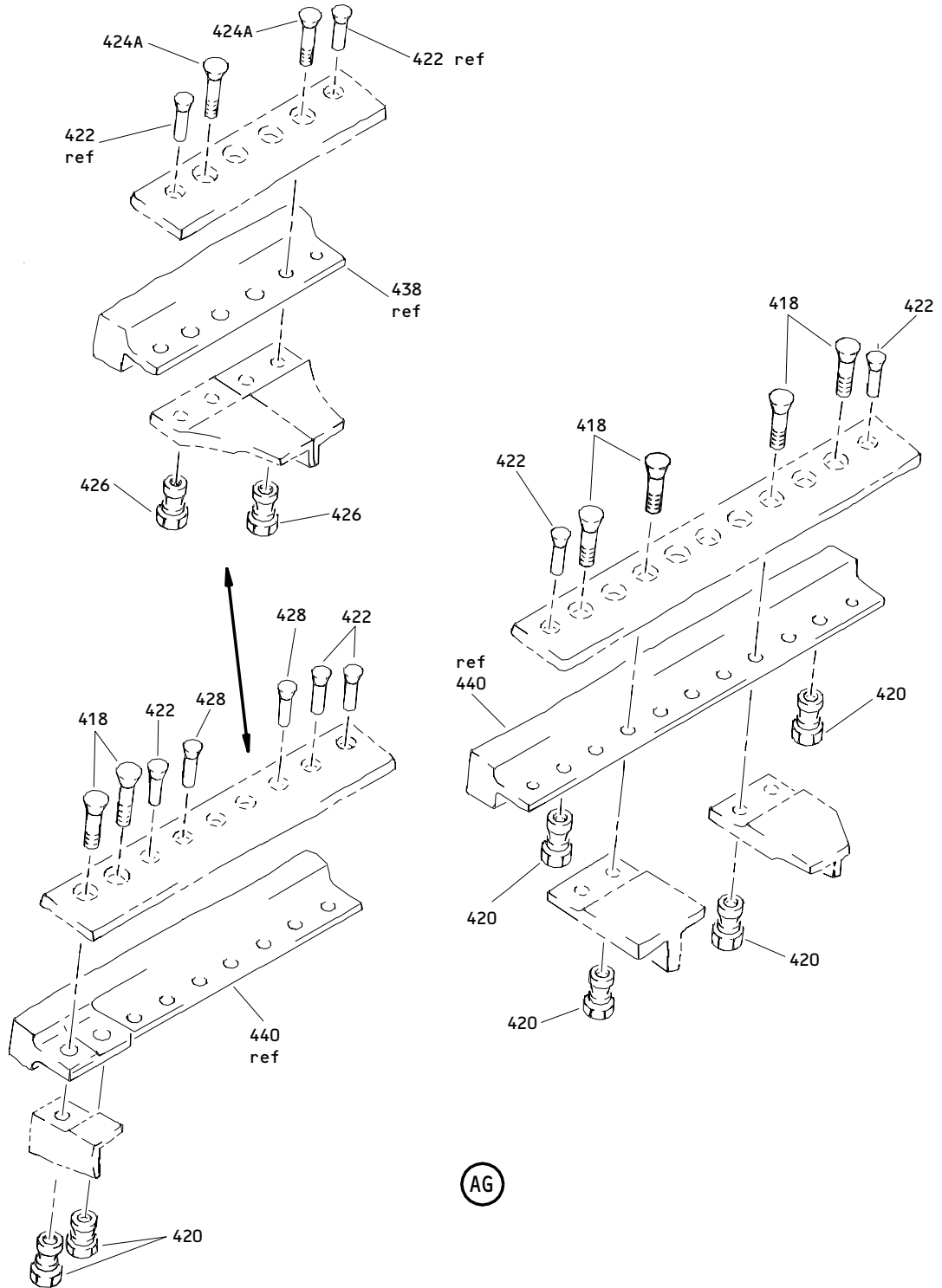
57-43-55



Outboard Slat No. 4 Wing Leading Edge Structure Assembly  
 Figure 2 (Sheet 22)

**57-43-55**

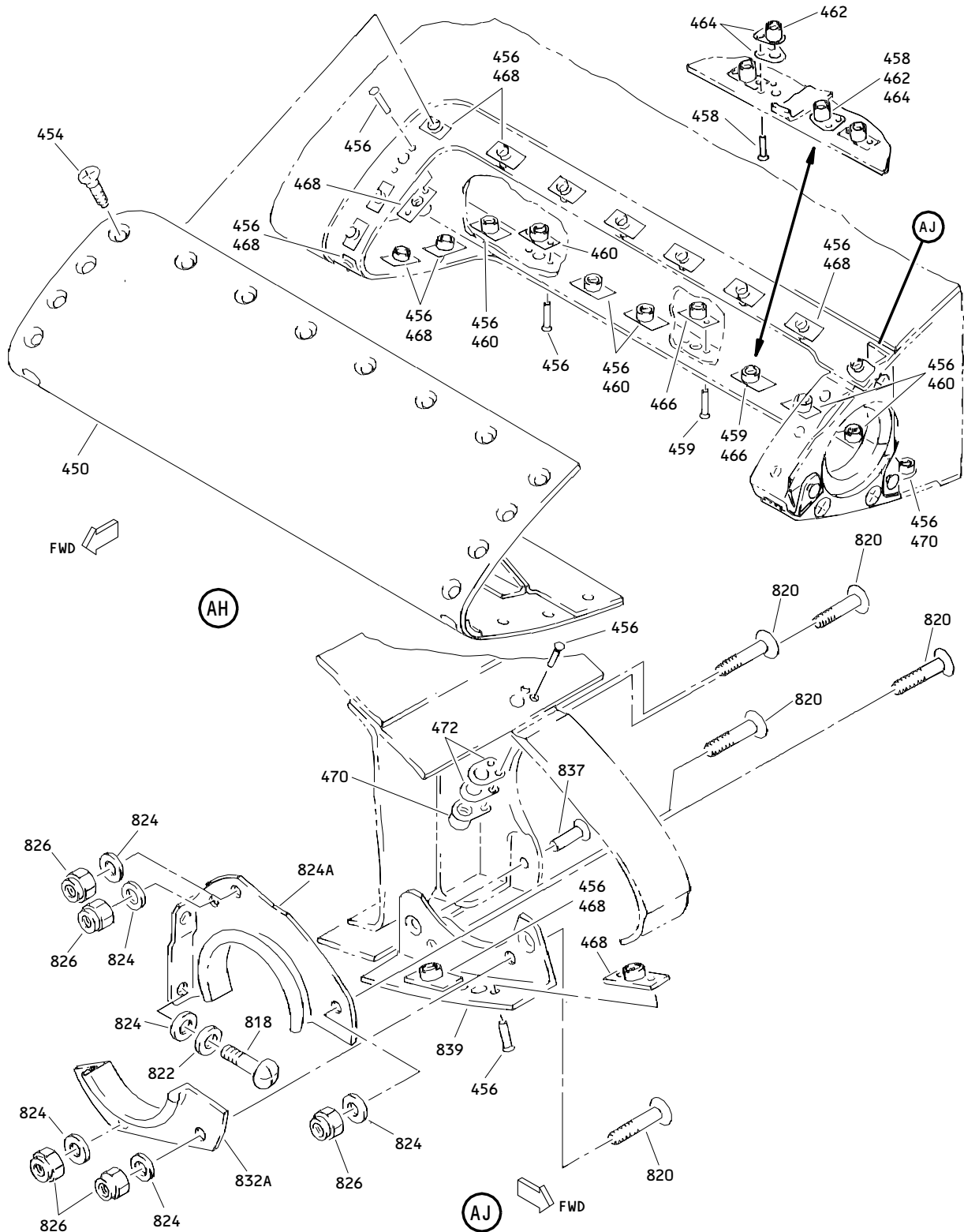
ILLUSTRATED PARTS LIST  
 01.1 Page 1044N  
 Nov 01/00



Outboard Slat No. 4 Wing Leading Edge Structure Assembly  
Figure 2 (Sheet 23)

**57-43-55**

ILLUSTRATED PARTS LIST  
01.1 Page 10440  
Nov 01/00

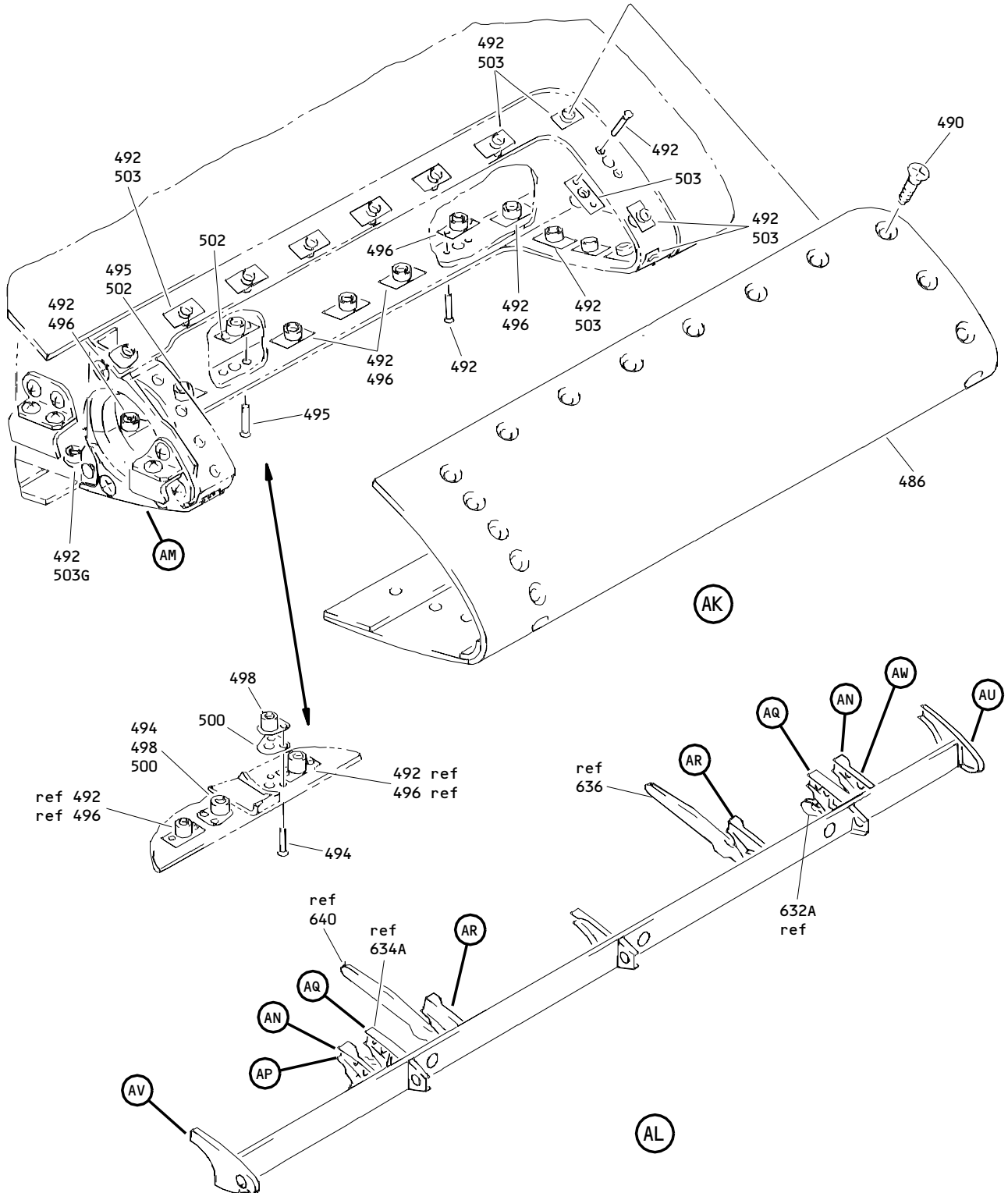


Outboard Slat No. 4 Wing Leading Edge Structure Assembly  
 Figure 2 (Sheet 24)

**57-43-55**

ILLUSTRATED PARTS LIST  
 01.1 Page 1044P  
 Nov 01/00

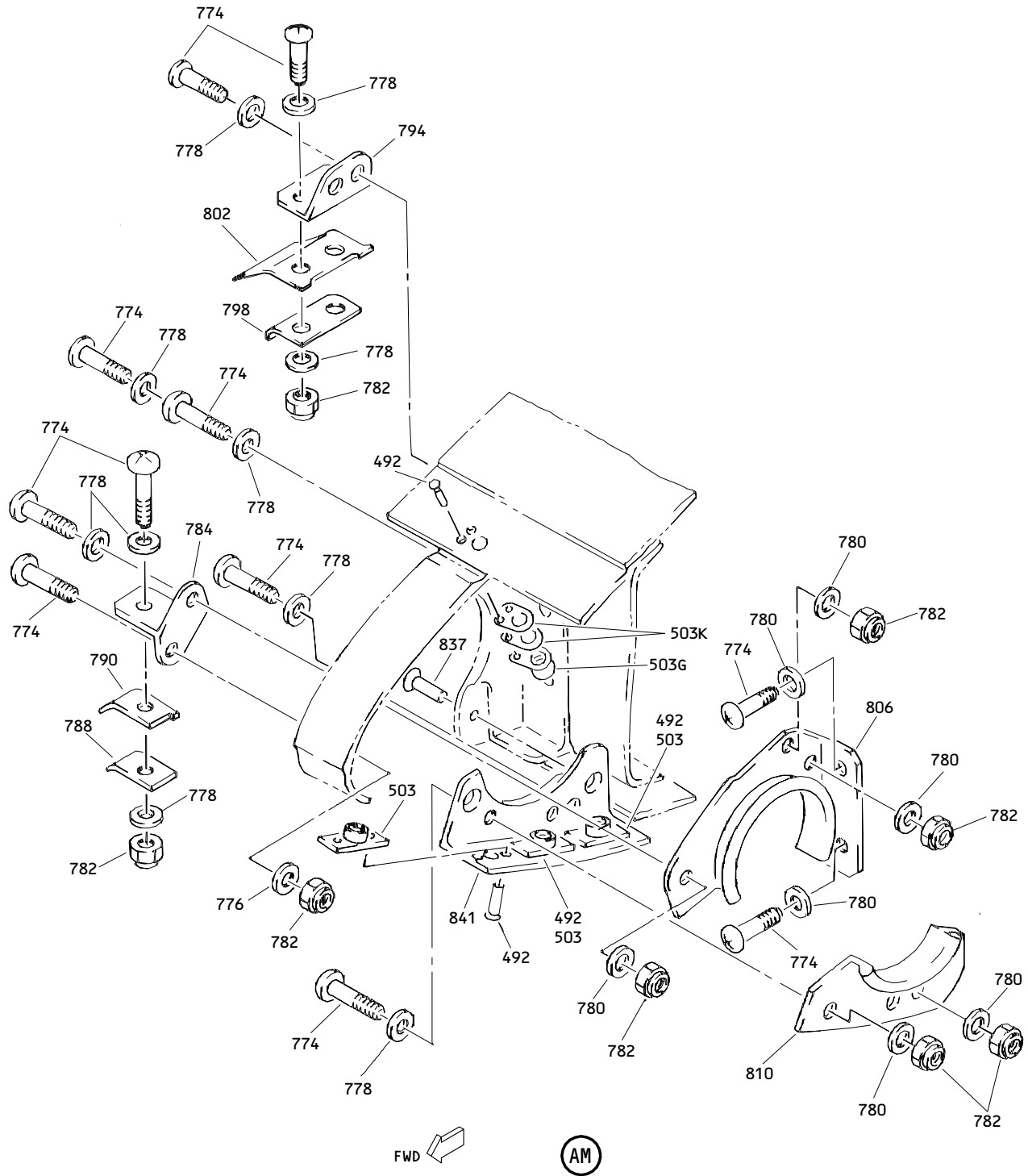




Outboard Slat No. 4 Wing Leading Edge Structure Assembly  
Figure 2 (Sheet 25)

**57-43-55**

ILLUSTRATED PARTS LIST  
01.101 Page 1044Q  
Nov 01/01

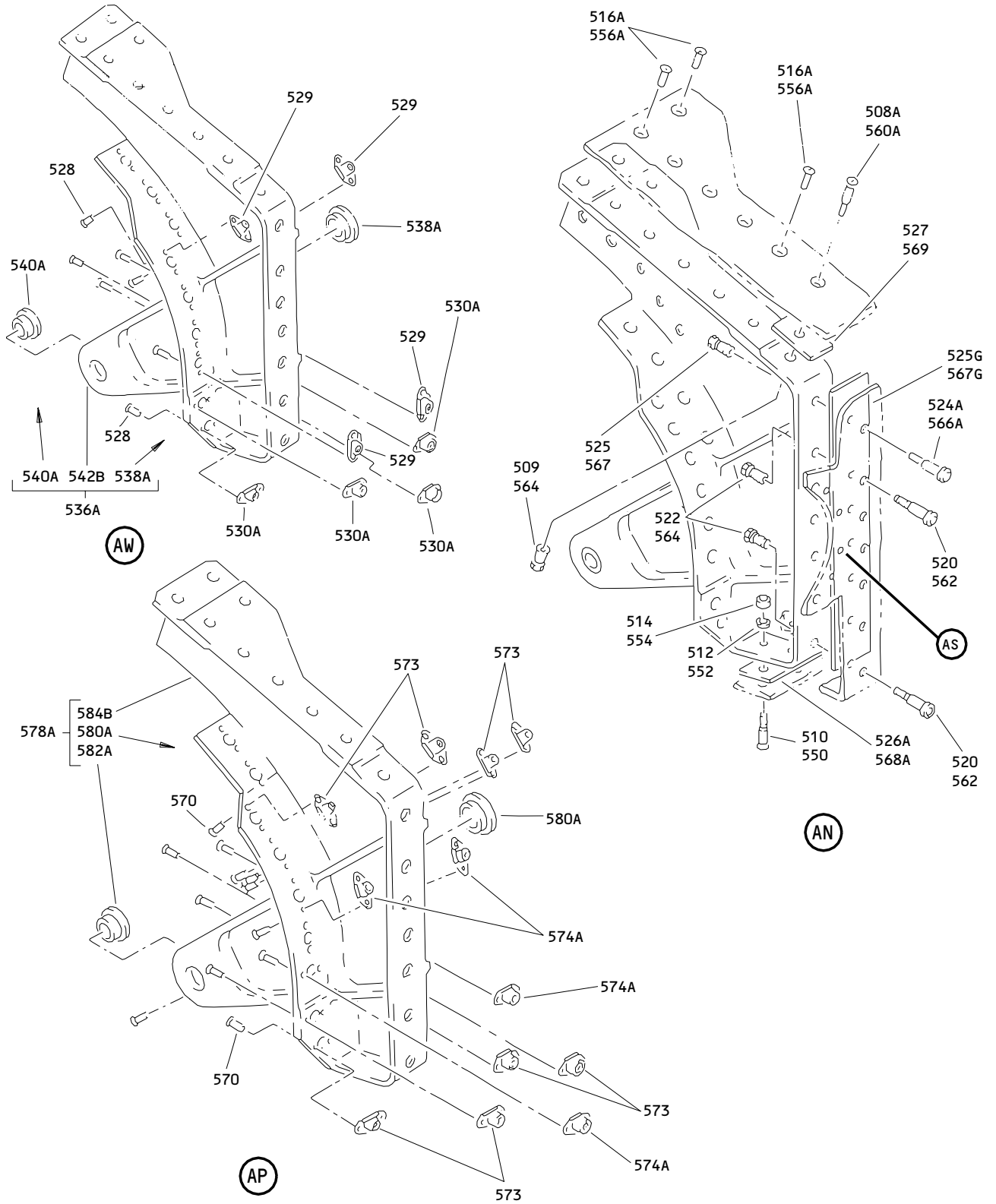


Outboard Slat No. 4 Wing Leading Edge Structure Assembly  
 Figure 2 (Sheet 26)

**57-43-55**

ILLUSTRATED PARTS LIST  
 01.1 Page 1044R  
 Nov 01/00

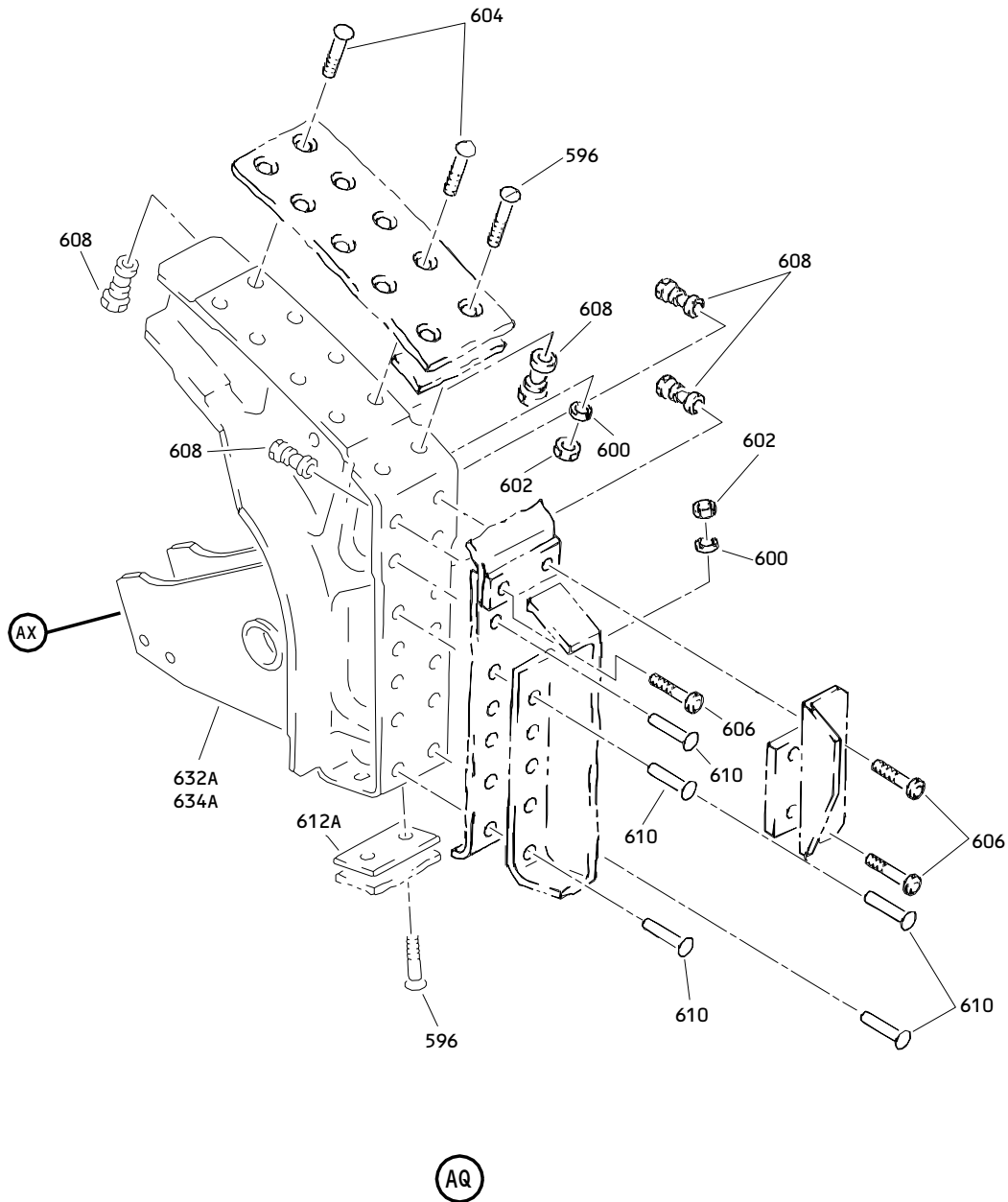
T77643



Outboard Slat No. 4 Wing Leading Edge Structure Assembly  
Figure 2 (Sheet 27)

**57-43-55**

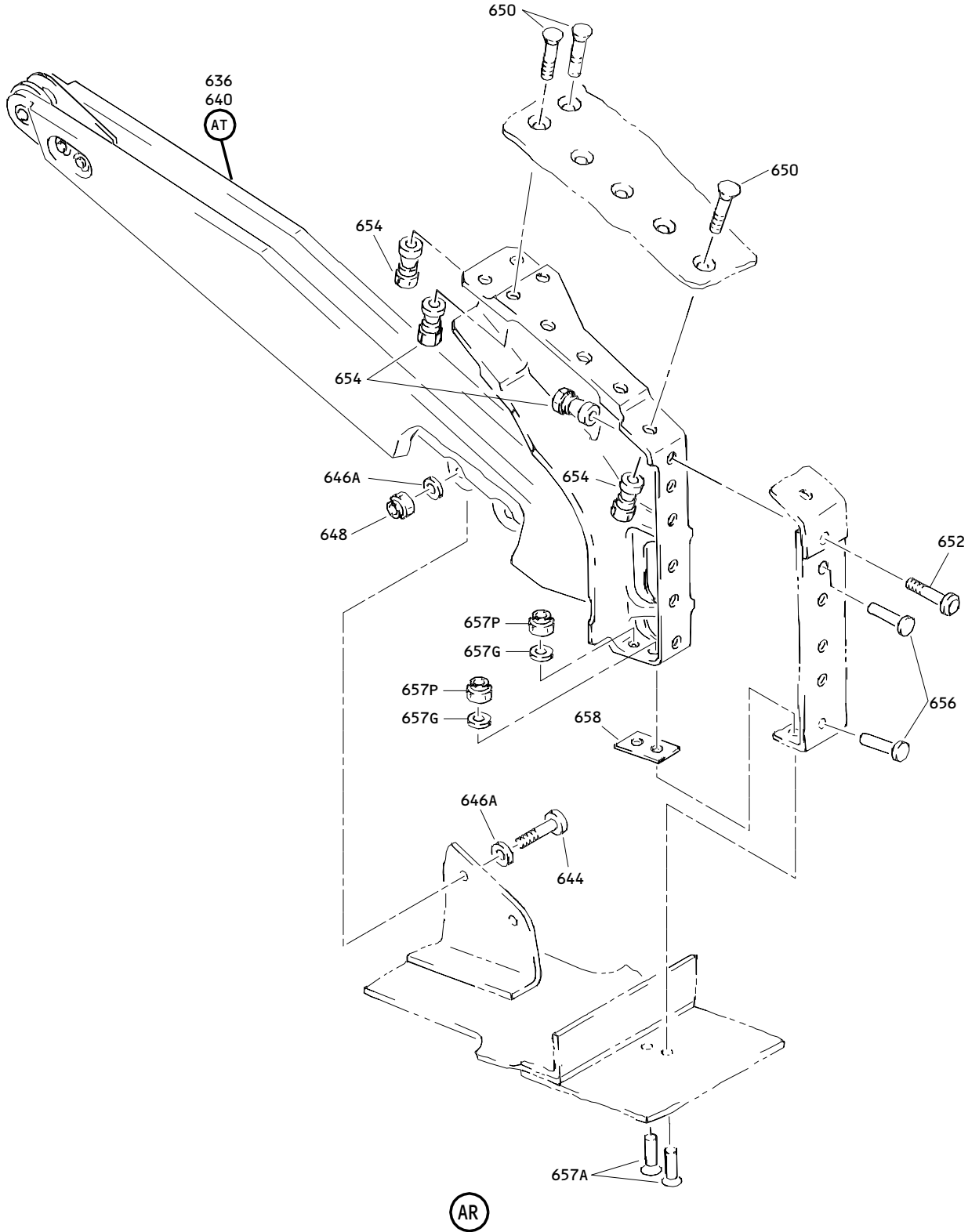
ILLUSTRATED PARTS LIST  
01.1 Page 1044S  
Nov 01/00



Outboard Slat No. 4 Wing Leading Edge Structure Assembly  
 Figure 2 (Sheet 28)

**57-43-55**

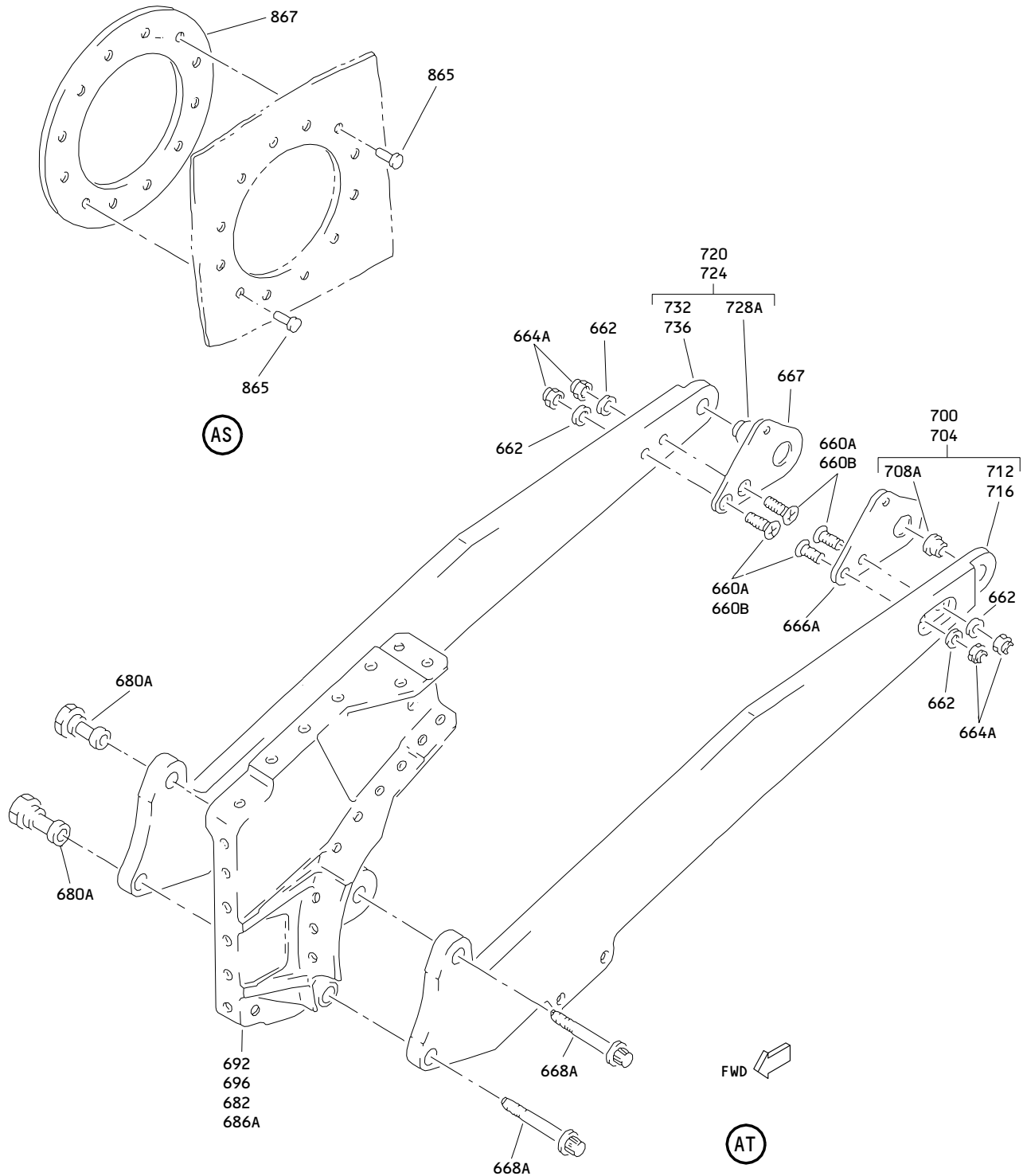
ILLUSTRATED PARTS LIST  
 01.1 Page 1044T  
 Nov 01/00



Outboard Slat No. 4 Wing Leading Edge Structure Assembly  
Figure 2 (Sheet 29)

**57-43-55**

ILLUSTRATED PARTS LIST  
01.1 Page 1044U  
Nov 01/00

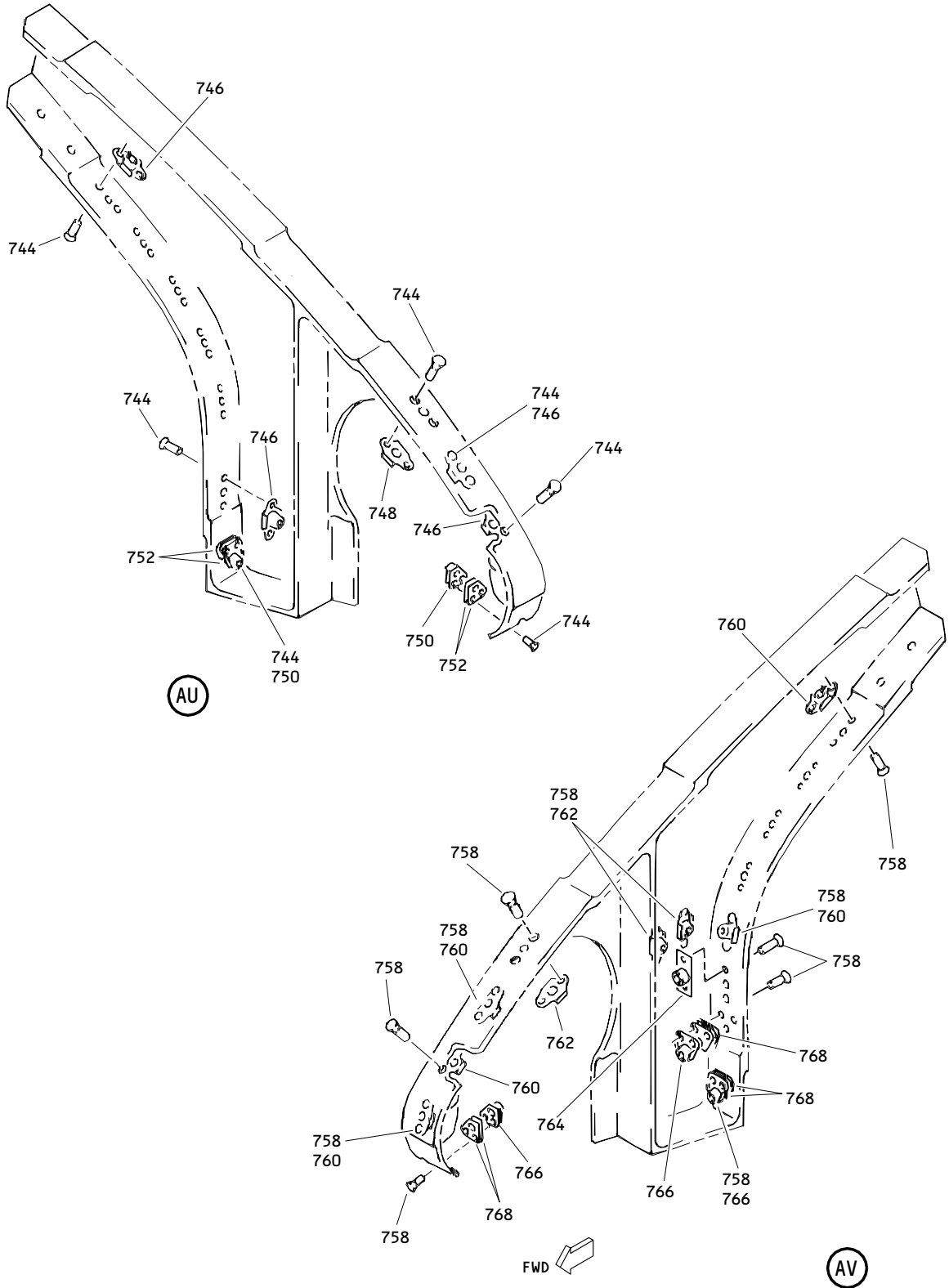


Outboard Slat No. 4 Wing Leading Edge Structure Assembly  
 Figure 2 (Sheet 30)

**57-43-55**

ILLUSTRATED PARTS LIST  
 01.1 Page 1044V  
 Nov 01/00

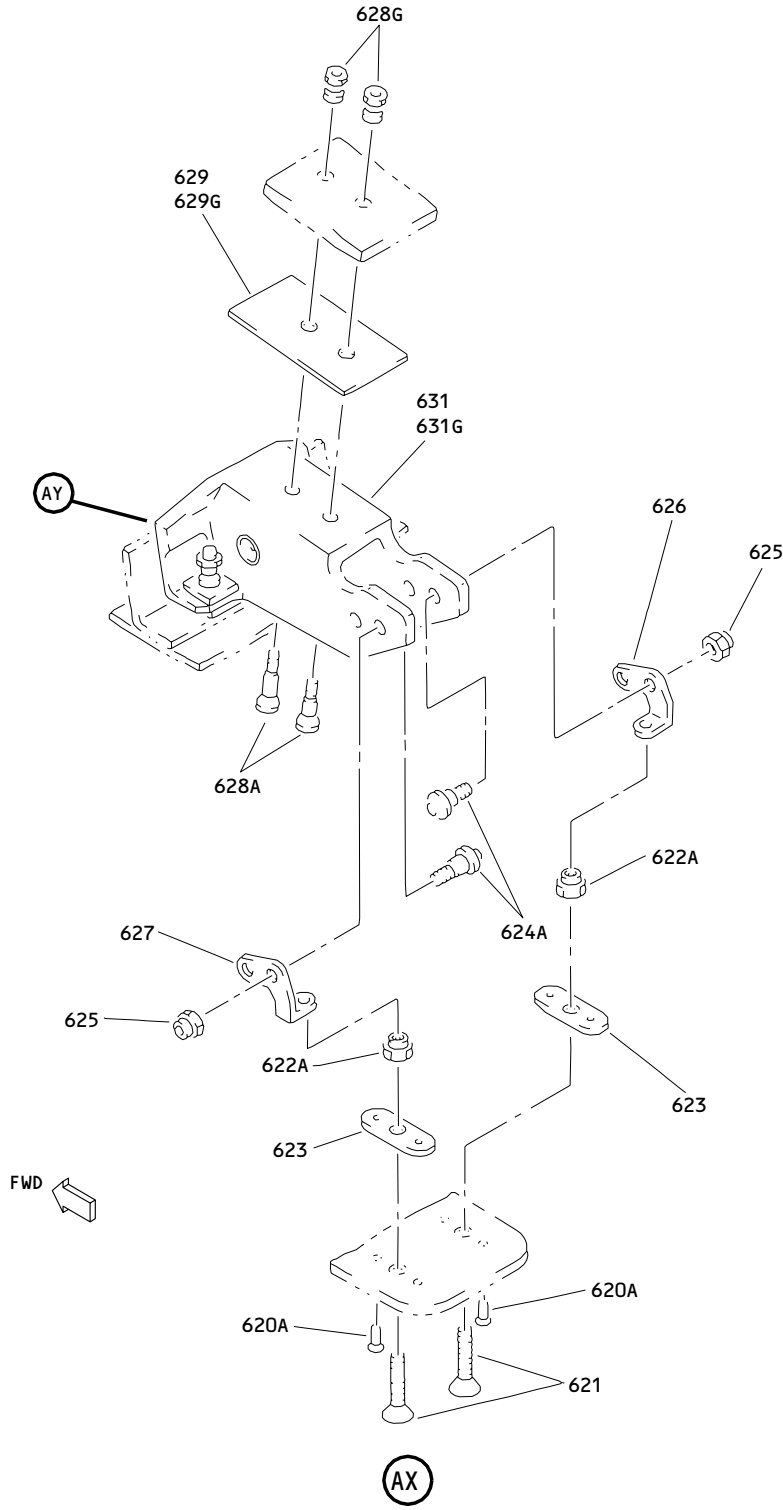
T77679



Outboard Slat No. 4 Wing Leading Edge Structure Assembly  
Figure 2 (Sheet 31)

**57-43-55**

ILLUSTRATED PARTS LIST  
01.1 Page 1044W  
Nov 01/00

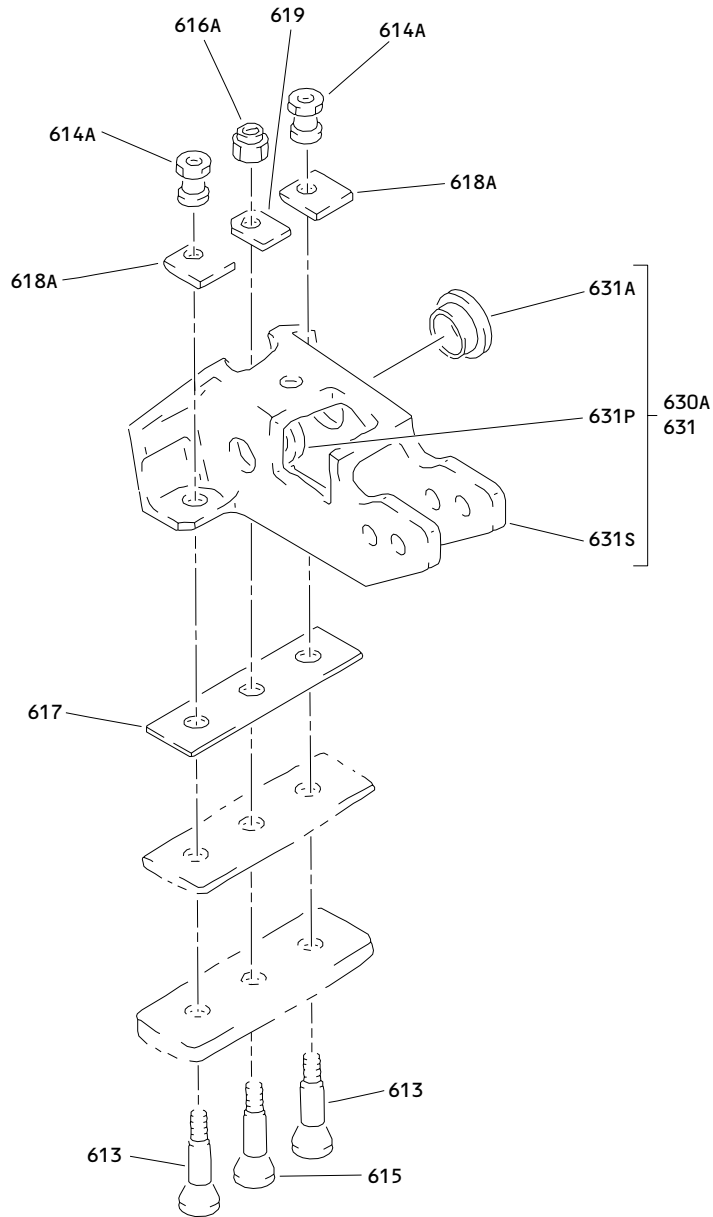


Outboard Slat No. 4 Wing Leading Edge Structure Assembly  
 Figure 2 (Sheet 32)

**57-43-55**

ILLUSTRATED PARTS LIST  
 01.1 Page 1044X  
 Nov 01/00



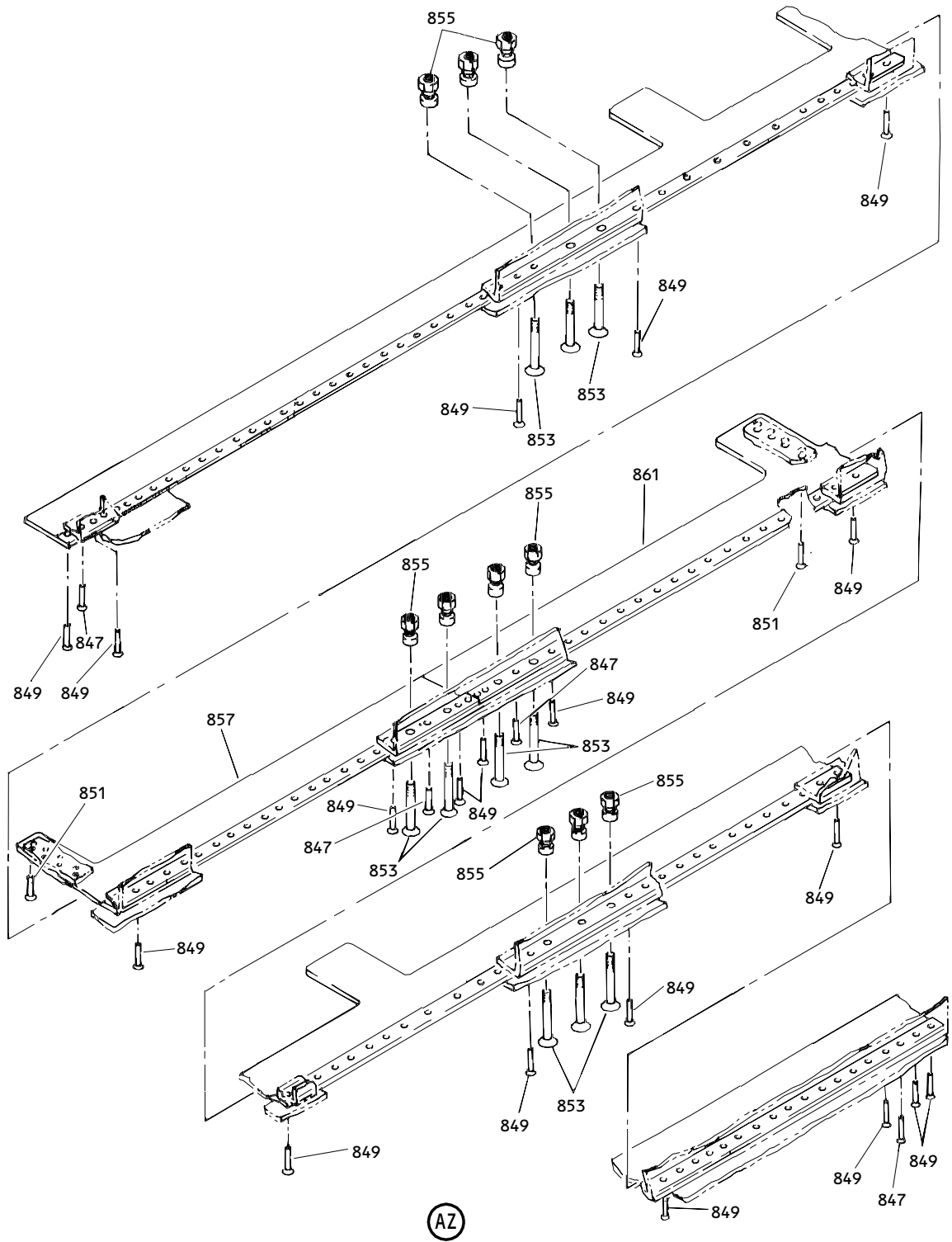


AY

Outboard Slat No. 4 Wing Leading Edge Structure Assembly  
Figure 2 (Sheet 33)

**57-43-55**

ILLUSTRATED PARTS LIST  
01.1 Page 1044Y  
Nov 01/00



Outboard Slat No.4 Wing Leading Edge Structure Assembly  
 Figure 2 (Sheet 34)

**57-43-55**

ILLUSTRATED PARTS LIST  
 01.1 Page 1044Z  
 Nov 01/00

 **BOEING**  
COMPONENT  
MAINTENANCE MANUAL

FIG. & ITEM	PART NO.	AIRLINE PART NUMBER	NOMENCLATURE 1234567	EFF CODE	QTY PER ASSY
02- -1	114T4104-13SP		STRUCTURE ASSY-OUTBD SLAT NO. 4 WING LE (LH) (REWORK DWG 114T4184-1) (PRE SB 757-32-0107) (PRE SB 767-57A0057)	A	RF
-1A	015T1507-401		STRUCTURE ASSY-OUTBD SLAT NO. 4 WING LE (LH) (POST SB 767-57A0057)	AJ	RF
-1B	015T1507-403		STRUCTURE ASSY-OUTBD SLAT NO. 4 WING LE (LH) (POST SB 767-57A0057)	AK	RF
-1C	015T1507-405		STRUCTURE ASSY-OUTBD SLAT NO. 4 WING LE (LH) (POST SB 767-57A0057)	AL	RF
-1D	015T1507-443		STRUCTURE ASSY-OUTBD SLAT NO. 4 WING LE (LH) (POST SB 767-57A0057)	AM	RF
-1E	015T1507-445		STRUCTURE ASSY-OUTBD SLAT NO. 4 WING LE (LH) (POST SB 767-57A0057)	AN	RF
-1F	015T1507-447		STRUCTURE ASSY-OUTBD SLAT NO. 4 WING LE (LH) (POST SB 767-57A0057)	AP	RF
-5	114T4104-14SP		STRUCTURE ASSY-OUTBD SLAT NO. 9 WING LE (RH) (REWORK DWG 114T4184-2) (PRE SB 757-32-0107) (PRE SB 767-57A0057)	M	RF
-5A	015T1507-402		STRUCTURE ASSY-OUTBD SLAT NO. 9 WING LE (RH) (POST SB 767-57A0057)	AQ	RF
-5B	015T1507-404		STRUCTURE ASSY-OUTBD SLAT NO. 9 WING LE (RH) (POST SB 767-57A0057)	AR	RF
-5C	015T1507-406		STRUCTURE ASSY-OUTBD SLAT NO. 9 WING LE (RH) (POST SB 767-57A0057)	AS	RF
-5D	015T1507-444		STRUCTURE ASSY-OUTBD SLAT NO. 9 WING LE (RH) (POST SB 767-57A0057)	AT	RF
-5E	015T1507-446		STRUCTURE ASSY-OUTBD SLAT NO. 9 WING LE (RH) (POST SB 767-57A0057)	AU	RF

**57-43-55**

ILLUSTRATED PARTS LIST  
01.1 Page 1045  
Nov 01/00

FIG. & ITEM	PART NO.	AIRLINE PART NUMBER	NOMENCLATURE 1234567	EFF CODE	QTY PER ASSY
02-5F	015T1507-448		STRUCTURE ASSY-OUTBD SLAT NO. 9 WING LE (RH) (POST SB 767-57A0057)	AV	RF
-7	114T4104-5001		.STRUCTURE ASSY- (REPLD BY ITEMS 7A, 7B)	A,A J-AP	1
-7A	114T4104-5003		.STRUCTURE ASSY- (REPLD BY ITEM 7B) (REPLS ITEM 7)	A,A J-AP	1
-7B	114T4104-5005		.STRUCTURE ASSY- (REPLS ITEMS 7, 7A)	A,A J-AP	1
-8	114T4104-5002		.STRUCTURE ASSY- (REPLD BY ITEMS 8A, 8B)	M,A Q-AV	1
-8A	114T4104-5004		.STRUCTURE ASSY- (REPLD BY ITEM 8B) (REPLS ITEM 8)	M,A Q-AV	1
-8B	114T4104-5006		.STRUCTURE ASSY- (REPLS ITEMS 8, 8A)	M,A Q-AV	1
10	BACB30NT3K7		..BOLT	A,M,A J-AV	50
12	AN960PD10L		..WASHER	A,M,A J-AV	51
13 13A	BRH10-3 H10-3BAC		DELETED ..NUT- (V15653) (SPEC BACN10JC3) (OPT NS202101-02 (V80539)) (OPT RMLH9075-3W (V72962)) (OPT T6S1032J (V71087)) (OPT VN303A02 (V92215)) (OPT 96-02 (V80539)) (OPT BRH10A3 (V52828))	A,M,A J-AV	1

# 57-43-55

 ILLUSTRATED PARTS LIST  
 01.1 Page 1046  
 Nov 01/00

 **BOEING**  
COMPONENT  
MAINTENANCE MANUAL

FIG. & ITEM	PART NO.	AIRLINE PART NUMBER	NOMENCLATURE 1234567	EFF CODE	QTY PER ASSY
02-14	114T4233-19		..RETAINER-SEAL	A,A J-AP	1
-16	114T4233-20		..RETAINER-SEAL	M,A Q-AV	1
18	114T4233-21		..RETAINER-SEAL	A,A J-AP	1
-20	114T4233-22		..RETAINER-SEAL	M,A Q-AV	1
22	114T4233-23		..RETAINER-SEAL	A,A J-AP	1
-24	114T4233-24		..RETAINER-SEAL	M,A Q-AV	1
26	114T4232-19		..SEAL-BULB (MFD FROM EXTR RUBBER F25.01 10-60754-319 46.50 IN.)	A,A J-AP	1
-28	114T4232-20		..SEAL-BULB (MFD FROM EXTR RUBBER F25.01 10-60754-319 46.50 IN.)	M,A Q-AV	1
30	114T4232-21		..SEAL-BULB (MFD FROM EXTR RUBBER F25.01 10-60754-319 58.40 IN.)	A,A J-AP	1
-32	114T4232-22		..SEAL-BULB (MFD FROM EXTR RUBBER F25.01 10-60754-319 58.40 IN.)	M,A Q-AV	1
34	114T4232-23		..SEAL-BULB (MFD FROM EXTR RUBBER F25.01 10-60754-319 46.50 IN.)	A,A J-AP	1

**57-43-55**

ILLUSTRATED PARTS LIST  
01.1 Page 1046A  
Nov 01/00

FIG. & ITEM	PART NO.	AIRLINE PART NUMBER	NOMENCLATURE 1234567	EFF CODE	QTY PER ASSY
02-36	114T4232-24		..SEAL-BULB (MFD FROM EXTR RUBBER F25.01 10-60754-319 46.50 IN.)	M,A Q-AV	1
38	BACF3F008E130NN		..FILLER- (USED ON ITEMS 7, 8)	A,M,A J-AV	1
40	BACF3F008E179NN		..FILLER- (USED ON ITEMS 7A, 7B, 8A, 8B)	A,M,A J-AV	1
42	BACF3F008E080NN		..FILLER- (USED ON ITEMS 7, 8)	A,M,A J-AV	2
44	BACF3F008E199NN		..FILLER- (USED ON ITEMS 7, 8)	A,M,A J-AV	1
46	BACF3F008E138NN		..FILLER- (USED ON ITEMS 7, 8)	A,M,A J-AV	1
48	BACF3F009E179NN		..FILLER- (USED ON ITEMS 7A, 7B, 8A, 8B)	A,M,A J-AV	1
50	BACR15BA3AD		..RIVET- (SIZE DETERMINE ON INST)	A,M,A J-AV	90
52	BACR15BA3AD		..RIVET- (SIZE DETERMINE ON INST) (USED WITH ITEMS 58, 60)	A,M,A J-AV	8
53	BACR15BA3AD		..RIVET- (SIZE DETERMINE ON INST) (USED WITH ITEM 62)	A,M,A J-AV	8
54	NS103225-02		..NUTPLATE- (V80539) (SPEC BACN10KH3) (OPT RMF9209M3 (V72962)) (OPT RMF9209M3 (V72962))	A,M,A J-AV	2

# 57-43-55

 ILLUSTRATED PARTS LIST  
 01.1 Page 1046B  
 Nov 01/00

 **BOEING**  
COMPONENT  
MAINTENANCE MANUAL

FIG. & ITEM	PART NO.	AIRLINE PART NUMBER	NOMENCLATURE 1234567	EFF CODE	QTY PER ASSY
02-56	BACN10JQ32		..NUTPLATE	A,M,A J-AV	43
58	BRFM20A3		..NUTPLATE- (V52828) (SPEC BACN10JN3) (OPT MF1000-3BAC (V15653)) (OPT NS103218-02 (V80539)) (OPT RMF9201M3 (V72962)) (OPT VN252A02 (V92215)) (OPT MF1000-3BAC (V15653)) (OPT MF53049-3 (V15653)) (REPLD BY ITEM 62)	A,M,A J-AV	2
60	NS103225-02		..NUTPLATE- (V80539) (SPEC BACN10KH3) (OPT RMF9209M3 (V72962)) (OPT RMF9209M3 (V72962)) (REPLD BY ITEM 62)	A,M,A J-AV	2
62	BACN10JQ32		..NUTPLATE- (REPLS ITEMS 58, 60)	A,M,A J-AV	4
64	BRH10-3		DELETED		
66	BACB30NT3K4		..BOLT	A,M,A J-AV	5
67	BACB30NN3K4		..BOLT	A,M,A J-AV	1

57-43-55

ILLUSTRATED PARTS LIST  
01.1 Page 1046C  
Nov 01/00

FIG. & ITEM	PART NO.	AIRLINE PART NUMBER	NOMENCLATURE 1234567	EFF CODE	QTY PER ASSY
02-68	AN960PD10L		..WASHER	A,M,A J-AV	11
70	H10-3BAC		..NUT- (V15653) (SPEC BACN10JC3) (OPT NS202101-02 (V80539)) (OPT RMLH9075-3W (V72962)) (OPT T6S1032J (V71087)) (OPT VN303A02 (V92215)) (OPT 96-02 (V80539)) (OPT BRH10A3 (V52828))	A,M,A J-AV	6
72	114T4235-4		..RETAINER-SEAL	A,M,A J-AV	1
74	114T4234-9		..SEAL-BULB (MFD FROM EXTR RUBBER F25.01 10-60754-15 11.20 IN.)	A,A J-AP	1
-75	114T4234-10		..SEAL-BULB (MFD FROM EXTR RUBBER F25.01 10-60754-15 11.20 IN.)	M,A Q-AV	1
76	BACB30NT3K3		..BOLT	A,M,A J-AV	1

# 57-43-55

 ILLUSTRATED PARTS LIST  
 01.1 Page 1046D  
 Nov 01/00



 **BOEING**  
COMPONENT  
MAINTENANCE MANUAL

FIG. & ITEM	PART NO.	AIRLINE PART NUMBER	NOMENCLATURE 1234567	EFF CODE	QTY PER ASSY
02-78	AN960PD10L		..WASHER	A,M,A J-AV	2
80	H10-3BAC		..NUT- (V15653) (SPEC BACN10JC3) (OPT NS202101-02 (V80539)) (OPT RMLH9075-3W (V72962)) (OPT T6S1032J (V71087)) (OPT VN303A02 (V92215)) (OPT 96-02 (V80539)) (OPT BRH10A3 (V52828))	A,M,A J-AV	1
82	114T4233-31		..RETAINER-SEAL	A,M,A J-AV	1
84	114T4234-11		..SEAL-BULB (MFD FROM EXTR RUBBER F25.01 10-60754-15 1.50 IN.)	A,A J-AP	1
-86	114T4234-12		..SEAL-BULB (MFD FROM EXTR RUBBER F25.01 10-60754-15 1.50 IN.)	M,A Q-AV	1
88	114T4224-4		..SEAL-MOLDED BULB	A,M,A J-AV	1
90	114T4224-5		..SEAL-MOLDED BULB	A,M,A J-AV	1
92	114T4236-4		..SEAL-SPONGE (MFD FROM SH SPONGE RUBBER BMS1-23 0.73 IN. 1.00 IN. 3.10 IN.)	A,M,A J-AV	1

**57-43-55**

ILLUSTRATED PARTS LIST  
01.1 Page 1046E  
Nov 01/00

FIG. & ITEM	PART NO.	AIRLINE PART NUMBER	NOMENCLATURE 1234567	EFF CODE	QTY PER ASSY
02-94	114T4236-5		..SEAL-SPONGE (MFD FROM SH SPONGE RUBBER BMS1-23 0.73 IN. 1.00 IN. 3.10 IN.)	A,M,A J-AV	1
96	BACB30NU3K5		..BOLT	A,M,A J-AV	1
98	BACR15CE5KE		..RIVET- (SIZE DETERMINE ON INST)	A,M,A J-AV	9
100	114T4225-7		..RETAINER-SEAL	A,M,A J-AV	1
102	BACR15BA3AD		..RIVET- (SIZE DETERMINE ON INST)	A,M,A J-AV	2
104	BACN10JQ33		..NUTPLATE	A,M,A J-AV	1
106	BACB30NU3K5		..BOLT	A,M,A J-AV	1
108	BACR15CE5KE		..RIVET- (SIZE DETERMINE ON INST)	A,M,A J-AV	9
110	114T4225-8		..RETAINER-SEAL	A,M,A J-AV	1
112	BACR15BA3AD		..RIVET- (SIZE DETERMINE ON INST)	A,M,A J-AV	2
114	BACN10JQ33		..NUTPLATE	A,M,A J-AV	1
116	114T4226-2		..SEAL-WEDGE	A,M,A J-AV	2
118	114T4231-29		..RETAINER-SEAL (USED ON ITEM 7)	A,A J-AP	1
120	114T4242-13		..RETAINER-SEAL (USED ON ITEMS 7A, 7B)	A,A J-AP	1
-122	114T4231-30		..RETAINER-SEAL (USED ON ITEM 8)	M,A Q-AV	1
-124	114T4242-14		..RETAINER-SEAL (USED ON ITEMS 8A, 8B)	M,A Q-AV	1
126	114T4231-31		..RETAINER-SEAL (USED ON ITEM 7)	A,A J-AP	1
128	114T4242-15		..RETAINER-SEAL (USED ON ITEMS 7A, 7B)	A,A J-AP	1
-130	114T4231-32		..RETAINER-SEAL (USED ON ITEM 8)	M,A Q-AV	1
-132	114T4242-16		..RETAINER-SEAL (USED ON ITEMS 8A, 8B)	M,A Q-AV	1

# 57-43-55

 ILLUSTRATED PARTS LIST  
 01.1 Page 1046F  
 Nov 01/00

**BOEING**  
COMPONENT  
MAINTENANCE MANUAL

FIG. & ITEM	PART NO.	AIRLINE PART NUMBER	NOMENCLATURE 1234567	EFF CODE	QTY PER ASSY
02-134	BACB30NN3K6		..BOLT	A,M,A J-AV	2
135	AN960PD10L		..WASHER	A,M,A J-AV	2
136	H10-3BAC		..NUT- (V15653) (SPEC BACN10JC3) (OPT NS202101-02 (V80539)) (OPT RMLH9075-3W (V72962)) (OPT T6S1032J (V71087)) (OPT VN303A02 (V92215)) (OPT 96-02 (V80539)) (OPT BRH10A3 (V52828))	A,M,A J-AV	2
138	114T4235-8		..RETAINER	A,M,A J-AV	1
140	114T4237-11		..SEAL	A,A J-AP	1
-142	114T4237-12		..SEAL	M,A Q-AV	1
144	BACB30NN3K5		..BOLT	A,M,A J-AV	2
146	BACB30NN3K4		..BOLT	A,M,A J-AV	11
148	AN960PD10L		..WASHER	A,M,A J-AV	13

**57-43-55**

ILLUSTRATED PARTS LIST  
01.1 Page 1046G  
Nov 01/00

FIG. & ITEM	PART NO.	AIRLINE PART NUMBER	NOMENCLATURE 1234567	EFF CODE	QTY PER ASSY
02-150	H10-3BAC		..NUT- (V15653) (SPEC BACN10JC3) (OPT NS202101-02 (V80539)) (OPT RMLH9075-3W (V72962)) (OPT T6S1032J (V71087)) (OPT VN303A02 (V92215)) (OPT 96-02 (V80539)) (OPT BRH10A3 (V52828))	A,M,A J-AV	13
152	114T4231-4		..RETAINER-SEAL	A,M,A J-AV	1
154	114T4231-8		..RETAINER-SEAL	A,M,A J-AV	1
156	114T4231-12		..RETAINER-SEAL	A,M,A J-AV	1
158	114T4230-4		..SEAL-BLADE (MFD FROM SH RUBBER BMS1-50 TYPE II GRADE 60 F25.01 0.094 IN. 1.25 IN. 7.60 IN.)	A,M,A J-AV	1
160	114T4230-7		..SEAL-BLADE (MFD FROM SH RUBBER BMS1-50 TYPE II GRADE 60 F25.01 0.094 IN. 1.25 IN. 7.90 IN.)	A,M,A J-AV	1

# 57-43-55

 ILLUSTRATED PARTS LIST  
 01.1 Page 1046H  
 Nov 01/00

**BOEING**  
COMPONENT  
MAINTENANCE MANUAL

FIG. & ITEM	PART NO.	AIRLINE PART NUMBER	NOMENCLATURE 1234567	EFF CODE	QTY PER ASSY
02-162	114T4230-12		..SEAL-BLADE (MFD FROM SH RUBBER BMS1-50 TYPE II GRADE 60 F25.01 0.094 IN. 1.25 IN. 5.40 IN.)	A,M,A J-AV	1
164	BACB30NN3K4		..BOLT	A,M,A J-AV	2
166	114T4231-15		..RETAINER-SEAL	A,M,A J-AV	1
168	114T4230-15		..SEAL-BLADE (MFD FROM SH RUBBER BMS1-50 TYPE II GRADE 60 F25.01 0.094 IN. 1.25 IN. 1.70 IN.)	A,M,A J-AV	1
170	BACR15BA3AD		..RIVET- (SIZE DETERMINE ON INST)	A,M,A J-AV	4
172	BRFM20A3		..NUTPLATE- (V52828) (SPEC BACN10JN3) (OPT MF1000-3BAC (V15653)) (OPT NS103218-02 (V80539)) (OPT RMF9201M3 (V72962)) (OPT VN252A02 (V92215)) (OPT MF1000-3BAC (V15653)) (OPT MF53049-3 (V15653))	A,M,A J-AV	2
174	BACB30NU3K5		..BOLT	A,M,A J-AV	12
176	BACB30NT3K5		..BOLT	A,M,A J-AV	21
178	BACR15CE5KE		..RIVET- (SIZE DETERMINE ON INST)	A,M,A J-AV	1
180	BACR15FT5AD		..RIVET- (SIZE DETERMINE ON INST)	A,M,A J-AV	9

**57-43-55**

FIG. & ITEM	PART NO.	AIRLINE PART NUMBER	NOMENCLATURE 1234567	EFF CODE	QTY PER ASSY
02-182	114T4264-1		..PANEL-COVE	A,A J-AP	1
-184	114T4264-2		..PANEL-COVE	M,A Q-AV	1
186	BACR15BA3AD		..RIVET- (SIZE DETERMINE ON INST)	A,M,A J-AV	44
188	BACR15BA3AD		..RIVET- (SIZE DETERMINE ON INST) (USED WITH ITEMS 192, 194)	A,M,A J-AV	8
189	BACR15BA3AD		..RIVET- (SIZE DETERMINE ON INST) (USED WITH ITEM 196)	A,M,A J-AV	8
190	BACN10JQ33		..NUTPLATE	A,M,A J-AV	8
192	BRFM20A3		..NUTPLATE- (V52828) (SPEC BACN10JN3) (OPT MF1000-3BAC (V15653)) (OPT NS103218-02 (V80539)) (OPT RMF9201M3 (V72962)) (OPT VN252A02 (V92215)) (OPT MF1000-3BAC (V15653)) (OPT MF53049-3 (V15653)) (REPLD BY ITEM 196)	A,M,A J-AV	2
194	NS103225-02		..NUTPLATE- (V80539) (SPEC BACN10KH3) (OPT RMF9209M3 (V72962)) (OPT RMF9209M3 (V72962)) (REPLD BY ITEM 196)	A,M,A J-AV	2

**57-43-55**

 ILLUSTRATED PARTS LIST  
 01.1 Page 1046J  
 Nov 01/00

 **BOEING**  
COMPONENT  
MAINTENANCE MANUAL

FIG. & ITEM	PART NO.	AIRLINE PART NUMBER	NOMENCLATURE 1234567	EFF CODE	QTY PER ASSY
02-196	BACN10JQ33		..NUTPLATE- (REPLS ITEMS 192, 194)	A,M,A J-AV	4
198	BACN10JQ34		..NUTPLATE	A,M,A J-AV	13
200	NS103225-02		..NUTPLATE- (V80539) (SPEC BACN10KH3) (OPT RMF9209M3 (V72962)) (OPT RMF9209M3 (V72962))	A,M,A J-AV	1
201	BACB30NN3K6		..BOLT- (REWORK DWG 114T4184-1, 114T4184-2)	A,M,A J-AV	2
202	BACB30NN3K6		..BOLT	A,M,A J-AV	19
203	BACB30NM3K10		..BOLT- (REWORK DWG 114T4184-1, 114T4184-2)	A,M,A J-AV	4
203G	AN960KD10L		..WASHER- (REWORK DWG 114T4184-1, 114T4184-2)	A,M,A J-AV	4
204	BACB30NT3K7		..BOLT	A,M,A J-AV	72
205	BACB30NN3K9		..BOLT- (REWORK DWG 114T4184-1, 114T4184-2)	A,M,A J-AV	2

**57-43-55**

ILLUSTRATED PARTS LIST  
01.1 Page 1046K  
Nov 01/00

FIG. & ITEM	PART NO.	AIRLINE PART NUMBER	NOMENCLATURE 1234567	EFF CODE	QTY PER ASSY
02-206	114T4264-3		..PANEL-COVE	A,A J-AP	1
-208	114T4264-4		..PANEL-COVE	M,A Q-AV	1
210	114T4110-57		..STIFFENER	A,M,A J-AV	1
212	BACR15BA5AD		..RIVET- (SIZE DETERMINE ON INST)	A,M,A J-AV	2
214	114T4110-59		..STIFFENER	A,A J-AP	1
-215	114T4110-60		..STIFFENER	M,A Q-AV	1
216	BACR15BA3AD		..RIVET- (SIZE DETERMINE ON INST)	A,M,A J-AV	114
218	NS103225-02		..NUTPLATE- (V80539) (SPEC BACN10KH3) (OPT RMF9209M3 (V72962)) (OPT RMF9209M3 (V72962))	A,M,A J-AV	4
220	BACN10JQ34		..NUTPLATE	A,M,A J-AV	18
222	BACN10JQ36		..NUTPLATE	A,M,A J-AV	10
224	BACN10JQ35		..NUTPLATE	A,M,A J-AV	25
226	NAS1195DD3K4		DELETED		
226A	NAS1195DD3KH		..SHIM	A,M,A J-AV	2
228	BACR15CE6KE		..RIVET- (SIZE DETERMINE ON INST)	A,M,A J-AV	6

# 57-43-55

 ILLUSTRATED PARTS LIST  
 01.1 Page 1046L  
 Nov 01/00



 **BOEING**  
COMPONENT  
MAINTENANCE MANUAL

FIG. & ITEM	PART NO.	AIRLINE PART NUMBER	NOMENCLATURE 1234567	EFF CODE	QTY PER ASSY
02-230	BACR15FT6AD		..RIVET- (SIZE DETERMINE ON INST)	A,M,A J-AV	42
232	BACB30NU3K5		..BOLT	A,M,A J-AV	2
234	BACB30NT3K6		..BOLT	A,M,A J-AV	1
236	BACB30NT3K5		..BOLT	A,M,A J-AV	1
238	AN960PD10L		..WASHER	A,M,A J-AV	4
240	H10-3BAC		..NUT- (V15653) (SPEC BACN10JC3) (OPT NS202101-02 (V80539)) (OPT RMLH9075-3W (V72962)) (OPT T6S1032J (V71087)) (OPT VN303A02 (V92215)) (OPT 96-02 (V80539)) (OPT BRH10A3 (V52828))	A,M,A J-AV	4
242	114T4264-5		..PANEL-COVE	A,A J-AP	1
-244	114T4264-6		..PANEL-COVE	M,A Q-AV	1
246	114T4110-61		..STIFFENER	A,M,A J-AV	1
248	BACB30NN3K6		..BOLT	A,M,A J-AV	5
250	BACB30NT3K7		..BOLT	A,M,A J-AV	20
252	114T4264-7		..PANEL-COVE	A,A J-AP	1
-254	114T4264-8		..PANEL-COVE	M,A Q-AV	1
256	114T4110-63		..STIFFENER	A,M,A J-AV	1
258	BACR15BA3AD		..RIVET- (SIZE DETERMINE ON INST)	A,M,A J-AV	50
260	BACN10JQ33		..NUTPLATE	A,M,A J-AV	1

**57-43-55**

ILLUSTRATED PARTS LIST  
01.1 Page 1046M  
Nov 01/00

FIG. & ITEM	PART NO.	AIRLINE PART NUMBER	NOMENCLATURE 1234567	EFF CODE	QTY PER ASSY
02-262	BACN10JQ34		..NUTPLATE	A,M,A J-AV	4
264	BACN10JQ35		..NUTPLATE	A,M,A J-AV	14
266	BACN10JQ36		..NUTPLATE	A,M,A J-AV	6
268	BACB30NT3K4		..BOLT	A,M,A J-AV	8
270	BACB30NT3K6		..BOLT	A,M,A J-AV	8
272	BACB30NT3K7		..BOLT	A,M,A J-AV	2
274	114T4177-4		..STRAP	A,M,A J-AV	1
276	114T4302-1		DELETED		
276A	114T4302-3		DELETED		
276B	114T4302-4		..FITTING-ALIGN.	A,M,A J-AV	1
278	BACB30NN3K6		..BOLT	A,M,A J-AV	2
280	BACR15CE5KE		..RIVET- (SIZE DETERMINE ON INST)	A,M,A J-AV	10
282	BACB30NU3K5		..BOLT- (REPLD BY ITEM 288)	A,M,A J-AV	3
284	BACB30NW6K		..BOLT- (REPLD BY ITEM 288)	A,M,A J-AV	1
286	HL79-6		..COLLAR- (V56878) (SPEC BACC30M6) (OPT HL79-6 (V73197)) (OPT HL79-6 (V92215)) (OPT 66014-6 (V56878)) (OPT HL79-6 (V5M902)) (USED WITH ITEM 284)	A,M,A J-AV	1
288	BACR15CE5KE		..RIVET- (SIZE DETERMINE ON INST) (REPLS ITEMS 282, 284)	A,M,A J-AV	4
290	BACR15FT5AD		..RIVET- (SIZE DETERMINE ON INST)	A,M,A J-AV	32

# 57-43-55

 ILLUSTRATED PARTS LIST  
 01.1 Page 1046N  
 Nov 01/00

**BOEING**  
COMPONENT  
MAINTENANCE MANUAL

FIG. & ITEM	PART NO.	AIRLINE PART NUMBER	NOMENCLATURE 1234567	EFF CODE	QTY PER ASSY
02-292	BACB30NT3K4		..BOLT- (REPLD BY ITEM 294)	A,M,A J-AV	4
294	BACR15FT5AD		..RIVET- (SIZE DETERMINE ON INST) (REPLS ITEM 292)	A,M,A J-AV	4
296	114T4264-9		..PANEL-COVE	A,A J-AP	1
-297	114T4264-10		..PANEL-COVE	M,A Q-AV	1
298	114T4110-65		..STIFFENER	A,M,A J-AV	1
300	BACR15BA3AD		..RIVET- (SIZE DETERMINE ON INST)	A,M,A J-AV	40
302	BACN10JQ32		..NUTPLATE	A,M,A J-AV	2
304	BRFM20A3		..NUTPLATE- (V52828) (SPEC BACN10JN3) (OPT MF1000-3BAC (V15653)) (OPT NS103218-02 (V80539)) (OPT RMF9201M3 (V72962)) (OPT VN252A02 (V92215)) (OPT MF1000-3BAC (V15653)) (OPT MF53049-3 (V15653))	A,M,A J-AV	8

**57-43-55**

ILLUSTRATED PARTS LIST  
01.1 Page 10460  
Nov 01/00

FIG. & ITEM	PART NO.	AIRLINE PART NUMBER	NOMENCLATURE 1234567	EFF CODE	QTY PER ASSY
02-306	NS103225-02		..NUTPLATE- (V80539) (SPEC BACN10KH3) (OPT RMF9209M3 (V72962)) (OPT RMF9209M3 (V72962))	A,M,A J-AV	10
308	NAS1195DD3KH		..SHIM	A,M,A J-AV	6
310	BACR15BA3AD		..RIVET- (SIZE DETERMINE ON INST) (USED WITH ITEMS 312, 313, 314, 316)	A,M,A J-AV	14
312	BACN10JQ33		..NUTPLATE- (USED WITH ITEM 282)	A,M,A J-AV	1
313	BRFM20A3		..NUTPLATE- (V52828) (SPEC BACN10JN3) (OPT MF1000-3BAC (V15653)) (OPT NS103218-02 (V80539)) (OPT RMF9201M3 (V72962)) (OPT VN252A02 (V92215)) (OPT MF1000-3BAC (V15653)) (OPT MF53049-3 (V15653)) (USED WITH ITEM 282)	A,M,A J-AV	1

# 57-43-55

 ILLUSTRATED PARTS LIST  
 01.1 Page 1046P  
 Nov 01/00

 **BOEING**  
COMPONENT  
MAINTENANCE MANUAL

FIG. & ITEM	PART NO.	AIRLINE PART NUMBER	NOMENCLATURE 1234567	EFF CODE	QTY PER ASSY
02-314	NS103225-02		..NUTPLATE- (V80539) (SPEC BACN10KH3) (OPT RMF9209M3 (V72962)) (OPT RMF9209M3 (V72962)) (USED WITH ITEM 282)	A,M,A J-AV	1
316	BACN10JQ33		..NUTPLATE- (USED WITH ITEM 292)	A,M,A J-AV	4
318	BACB30NN3K6		..BOLT	A,M,A J-AV	5
320	BACB30NT3K7		..BOLT	A,M,A J-AV	22
322	114T4264-11		..PANEL-COVE	A,M,A J-AV	1
-324	114T4264-12		..PANEL-COVE	A,M,A J-AV	1
326	114T4110-67		..STIFFENER	A,M,A J-AV	1
328	BACR15BA3AD		..RIVET- (SIZE DETERMINE ON INST)	A,M,A J-AV	54
330	BACN10JQ34		..NUTPLATE	A,M,A J-AV	4
332	BACN10JQ33		..NUTPLATE	A,M,A J-AV	1
334	BACN10JQ35		..NUTPLATE	A,M,A J-AV	16
336	BACN10JQ36		..NUTPLATE	A,M,A J-AV	6

57-43-55

ILLUSTRATED PARTS LIST  
01.1 Page 1046Q  
Nov 01/00

FIG. & ITEM	PART NO.	AIRLINE PART NUMBER	NOMENCLATURE 1234567	EFF CODE	QTY PER ASSY
02-338	BACR15CE6KE		..RIVET- (SIZE DETERMINE ON INST)	A,M,A J-AV	6
340	BACR15FT6AD		..RIVET- (SIZE DETERMINE ON INST)	A,M,A J-AV	38
342	BACB30NU3K5		..BOLT	A,M,A J-AV	2
344	BACB30NT3K3		..BOLT	A,M,A J-AV	3
346	BACB30NT3K4		..BOLT	A,M,A J-AV	1
348	BACB30NT3K5		..BOLT	A,M,A J-AV	1
350	BACB30NT3K6		..BOLT	A,M,A J-AV	1
352	AN960PD10		..WASHER	A,M,A J-AV	4
354	H10-3BAC		..NUT- (V15653) (SPEC BACN10JC3) (OPT NS202101-02 (V80539)) (OPT RMLH9075-3W (V72962)) (OPT T6S1032J (V71087)) (OPT VN303A02 (V92215)) (OPT 96-02 (V80539)) (OPT BRH10A3 (V52828))	A,M,A J-AV	4
356	114T4264-13		..PANEL-COVE	A,A J-AP	1
-358	114T4264-14		..PANEL-COVE	M,A Q-AV	1
360	114T4110-69		..STIFFENER	A,M,A J-AV	1
362	BACR15BA3AD		..RIVET- (SIZE DETERMINE ON INST)	A,M,A J-AV	8

**57-43-55**

 ILLUSTRATED PARTS LIST  
 01.1 Page 1046R  
 Nov 01/00

**BOEING**  
COMPONENT  
MAINTENANCE MANUAL

FIG. & ITEM	PART NO.	AIRLINE PART NUMBER	NOMENCLATURE 1234567	EFF CODE	QTY PER ASSY
02-364	BRFM20A3		..NUTPLATE- (V52828) (SPEC BACN10JN3) (OPT MF1000-3BAC (V15653)) (OPT NS103218-02 (V80539)) (OPT RMF9201M3 (V72962)) (OPT VN252A02 (V92215)) (OPT MF1000-3BAC (V15653)) (OPT MF53049-3 (V15653))	A,M,A J-AV	4
365	BACB30NN3K6		..BOLT- (REWORK DWG 114T4184-1, 114T4184-2)	A,M,A J-AV	2
366	BACB30NN3K6		..BOLT	A,M,A J-AV	19
367	BACB30NM3K10		..BOLT- (REWORK DWG 114T4184-1, 114T4184-2)	A,M,A J-AV	4
367G	AN960KD10L		..WASHER- (REWORK DWG 114T4184-1, 114T4184-2)	A,M,A J-AV	4
368	BACB30NT3K7		..BOLT	A,M,A J-AV	77
369	BACB30NN3K9		..BOLT- (REWORK DWG 114T4184-1, 114T4184-2)	A,M,A J-AV	2
370	114T4264-15		..PANEL-COVE	A,A J-AP	1
-372	114T4264-16		..PANEL-COVE	M,A Q-AV	1
374	114T4110-71		..STIFFENER	A,M,A J-AV	1
376	BACR15BA5AD		..RIVET- (SIZE DETERMINE ON INST)	A,M,A J-AV	2
378	114T4110-73		..STIFFENER	A,A J-AP	1

**57-43-55**

FIG. & ITEM	PART NO.	AIRLINE PART NUMBER	NOMENCLATURE 1234567	EFF CODE	QTY PER ASSY
02-379	114T4110-74		..STIFFENER	M,A Q-AV	1
380	BACR15BA3AD		..RIVET- (SIZE DETERMINE ON INST)	A,M,A J-AV	120
382	NS103225-02		..NUTPLATE- (V80539) (SPEC BACN10KH3) (OPT RMF9209M3 (V72962)) (OPT RMF9209M3 (V72962))	A,M,A J-AV	4
384	BACN10JQ34		..NUTPLATE	A,M,A J-AV	18
386	BACN10JQ35		..NUTPLATE	A,M,A J-AV	28
388	BACN10JQ36		..NUTPLATE	A,M,A J-AV	10
390	NAS1195DD3KH		..SHIM	A,M,A J-AV	2
391	BACR15CE5KE		..RIVET- (SIZE DETERMINE ON INST)	A,M,A J-AV	1
392	BACB30NU3K5		..BOLT	A,M,A J-AV	11
393	BACR15FT5AD		..RIVET- (SIZE DETERMINE ON INST)	A,M,A J-AV	9
394	BACB30NT3K5		..BOLT	A,M,A J-AV	21
396	114T4264-17		..PANEL-COVE	A,A J-AP	1
-398	114T4264-18		..PANEL-COVE	M,A Q-AV	1
400	114T4110-75		..STIFFENER	A,M,A J-AV	1
402	BACR15BA3AD		..RIVET- (SIZE DETERMINE ON INST) (USED WITH ITEMS 406, 414, 416)	A,M,A J-AV	42
404	BACR15BA3AD		..RIVET- (SIZE DETERMINE ON INST) (USED WITH ITEMS 408, 410)	A,M,A J-AV	6
405	BACR15BA3AD		..RIVET- (SIZE DETERMINE ON INST) (USED WITH ITEM 412)	A,M,A J-AV	6

# 57-43-55

 ILLUSTRATED PARTS LIST  
 01.1 Page 1046T  
 Nov 01/00



 **BOEING**  
COMPONENT  
MAINTENANCE MANUAL

FIG. & ITEM	PART NO.	AIRLINE PART NUMBER	NOMENCLATURE 1234567	EFF CODE	QTY PER ASSY
02-406	BACN10JQ33		..NUTPLATE	A,M,A J-AV	8
408	BRFM20A3		..NUTPLATE- (V52828) (SPEC BACN10JN3) (OPT MF1000-3BAC (V15653)) (OPT NS103218-02 (V80539)) (OPT RMF9201M3 (V72962)) (OPT VN252A02 (V92215)) (OPT MF1000-3BAC (V15653)) (OPT MF53049-3 (V15653)) (REPLD BY ITEM 412)	A,M,A J-AV	1
410	NS103225-02		..NUTPLATE- (V80539) (SPEC BACN10KH3) (OPT RMF9209M3 (V72962)) (OPT RMF9209M3 (V72962)) (REPLD BY ITEM 412)	A,M,A J-AV	2
412	BACN10JQ33		..NUTPLATE- (REPLS ITEM 408, 410)	A,M,A J-AV	3
414	BACN10JQ34		..NUTPLATE	A,M,A J-AV	12

57-43-55

ILLUSTRATED PARTS LIST  
01.1 Page 1046U  
Nov 01/00

FIG. & ITEM	PART NO.	AIRLINE PART NUMBER	NOMENCLATURE 1234567	EFF CODE	QTY PER ASSY
02-416	NS103225-02		..NUTPLATE- (V80539) (SPEC BACN10KH3) (OPT RMF9209M3 (V72962)) (OPT RMF9209M3 (V72962))	A,M,A J-AV	1
418	BACB30NW6K		..BOLT- (SIZE DETERMINE ON INST)	A,M,A J-AV	34
420	HL79-6		..COLLAR- (V56878) (SPEC BACC30M6) (OPT HL79-6 (V73197)) (OPT HL79-6 (V92215)) (OPT 66014-6 (V56878)) (OPT HL79-6 (V5M902))	A,M,A J-AV	34
422	BACR15CE5KE		..RIVET- (SIZE DETERMINE ON INST)	A,M,A J-AV	116
424	BACC30NW5KE		DELETED		
424A	BACB30NW5KE		..BOLT- (REPLD BY ITEM 428) (SIZE DETERMINE ON INST)	A,M,A J-AV	14
426	HL70-5		..COLLAR- (V56878) (SPEC BACC30M5) (OPT HL70-5 (V73197)) (OPT HL70-5 (V92215)) (OPT 66014-5 (V56878)) (OPT HL79-5 (V5M902)) (USED WITH ITEM 424)	A,M,A J-AV	14

# 57-43-55

 ILLUSTRATED PARTS LIST  
 01.1 Page 1046V  
 Nov 01/00



**BOEING**  
COMPONENT  
MAINTENANCE MANUAL

FIG. & ITEM	PART NO.	AIRLINE PART NUMBER	NOMENCLATURE 1234567	EFF CODE	QTY PER ASSY
02-428	BACR15CE5KE		..RIVET- (REPLS ITEM 424) (SIZE DETERMINE ON INST)	A,M,A J-AV	14
430	BACS4OR09C18F		..SHIM	A,M,A J-AV	7
432	BACS4OR09C09F		..SHIM	A,M,A J-AV	2
434	BACS4OR08C56F		..SHIM- (USED ON ITEMS 7, 8)	A,M,A J-AV	1
436	BACS4OR08C37F		..SHIM- (USED ON ITEMS 7, 8)	A,M,A J-AV	2
438	114T4114-1		..WEDGE ASSY-TE (USED ON ITEM 7) (PRE SB 767-57A0039) (PRE SB 767-57A0057)	A	1
440	114T4114-7		..WEDGE ASSY-TE (USED ON ITEMS 7A, 7B) (OPT ITEM 442) (PRE SB 767-57A0039) (PRE SB 767-57A0057)	A	1
-442	114T4114-9		..WEDGE ASSY-TE (USED ON ITEMS 7A, 7B) (OPT ITEM 440) (PRE SB 767-57A0039) (PRE SB 767-57A0057)	A	1
-444	114T4114-2		..WEDGE ASSY-TE (USED ON ITEM 8) (PRE SB 767-57A0039) (PRE SB 767-57A0057)	M	1
-446	114T4114-8		..WEDGE ASSY-TE (USED ON ITEMS 8A, 8B) (OPT ITEM 448) (PRE SB 767-57A0039) (PRE SB 767-57A0057)	M	1

**57-43-55**

ILLUSTRATED PARTS LIST  
01.1 Page 1046W  
Nov 01/00

FIG. & ITEM	PART NO.	AIRLINE PART NUMBER	NOMENCLATURE 1234567	EFF CODE	QTY PER ASSY
02- -448	114T4114-10		..WEDGE ASSY-TE (USED ON ITEMS 8A, 8B) (OPT ITEM 446) (PRE SB 767-57A0039) (PRE SB 767-57A0057)	M	1
450	114T4159-1		..PANEL ASSY-ACCESS	A,A J-AP	1
-452	114T4159-2		..PANEL ASSY-ACCESS	M,A Q-AV	1
454	BACB30NN3K5		..BOLT  -----*-----	A,M,A J-AV	29
456	BACR15BA3AD		..RIVET- (SIZE DETERMINE ON INST)	A,M,A J-AV	46
458	BACR15BA3AD		..RIVET- (SIZE DETERMINE ON INST) (USED WITH ITEM 462)	A,M,A J-AV	4
459	BACR15BA3AD		..RIVET- (SIZE DETERMINE ON INST) (USED WITH ITEM 466)	A,M,A J-AV	4
460	BACN10JQ32		..NUTPLATE	A,M,A J-AV	6
462	NS103225-02		..NUTPLATE- (V80539) (SPEC BACN10KH3) (OPT RMF9209M3 (V72962)) (OPT RMF9209M3 (V72962)) (REPLD BY ITEM 466)	A,M,A J-AV	2
464	NAS1195DD3KH		..SHIM- (USED WITH ITEM 462)	A,M,A J-AV	2
466	BACN10JQ32		..NUTPLATE- (REPLS ITEM 462)	A,M,A J-AV	2
468	BACN10JQ34		..NUTPLATE	A,M,A J-AV	15

# 57-43-55

 ILLUSTRATED PARTS LIST  
 01.1 Page 1046X  
 Nov 01/00

**BOEING**  
COMPONENT  
MAINTENANCE MANUAL

FIG. & ITEM	PART NO.	AIRLINE PART NUMBER	NOMENCLATURE 1234567	EFF CODE	QTY PER ASSY
02-470	NS103225-02		..NUTPLATE- (V80539) (SPEC BACN10KH3) (OPT RMF9209M3 (V72962)) (OPT RMF9209M3 (V72962))	A,M,A J-AV	2
472	NAS1195DD3KH		..SHIM	A,M,A J-AV	2
474	BACN10JQ34		DELETED		
476	F29779-3BAC		DELETED		
478	NAS1195DD3KH		DELETED		
480	BACB30NN3K5		..BOLT	A,M,A J-AV	4
482	BACR15BA3AD		..RIVET- (SIZE DETERMINE ON INST)	A,M,A J-AV	8
484	BACN10JQ33		..NUTPLATE	A,M,A J-AV	4
486	114T4159-3		..PANEL ASSY-ACCESS	A,A J-AP	1
-488	114T4159-4		..PANEL ASSY-ACCESS	M,A Q-AV	1
			ATTACHING PARTS		
490	BACB30NN3K5		..BOLT	A,M,A J-AV	31
			-----*-----		
492	BACR15BA3AD		..RIVET- (SIZE DETERMINE ON INST)	A,M,A J-AV	52
494	BACR15BA3AD		..RIVET- (SIZE DETERMINE ON INST) (USED WITH ITEM 498)	A,M,A J-AV	4
496	BACN10JQ32		..NUTPLATE	A,M,A J-AV	6
498	NS103225-02		..NUTPLATE- (V80539) (SPEC BACN10KH3) (OPT RMF9209M3 (V72962)) (OPT RMF9209M3 (V72962)) (REPLD BY ITEM 502)	A,M,A J-AV	2

57-43-55

ILLUSTRATED PARTS LIST  
01.1 Page 1046Y  
Nov 01/00

FIG. & ITEM	PART NO.	AIRLINE PART NUMBER	NOMENCLATURE 1234567	EFF CODE	QTY PER ASSY
02-500	NAS1195DD3KH		..SHIM- (USED WITH ITEM 498)	A,M,A J-AV	2
502	BACN10JQ32		..NUTPLATE- (REPLS ITEM 498)	A,M,A J-AV	2
503	BACN10JQ34		..NUTPLATE	A,M,A J-AV	16
503G	NS103225-02		..NUTPLATE- (V80539) (SPEC BACN10KH3) (OPT RMF9209M3 (V72962)) (OPT RMF9209M3 (V72962))	A,M,A J-AV	2
503K	NAS1195DD3KH		..SHIM	A,M,A J-AV	2
504	114T4606-17		DELETED		
-504A	114T4606-5		DELETED		
-504B	114T4606-5		DELETED		
-506	114T4606-18		DELETED		
-506A	114T4606-6		DELETED		
-506B	114T4606-6		DELETED		
508	BACB30NU3K3		ATTACHING PARTS DELETED		
508A	BACB30NW6K		..BOLT- (SIZE DETERMINE ON INST) (REWORK DWG 114T4184-1, 114T4184-2)	A,M,A J-AV	1
509	HL79-6		..COLLAR- (V56878) (SPEC BACC30M6) (OPT HL79-6 (V73197)) (OPT HL79-6 (V92215)) (OPT 66014-6 (V56878)) (OPT HL79-6 (V5M902)) (REWORK DWG 114T4184-1, 114T4184-2)	A,M,A J-AV	1

# 57-43-55

 ILLUSTRATED PARTS LIST  
 01.1 Page 1046Z  
 Nov 01/00

**BOEING**  
COMPONENT  
MAINTENANCE MANUAL

FIG. & ITEM	PART NO.	AIRLINE PART NUMBER	NOMENCLATURE 1234567	EFF CODE	QTY PER ASSY
02-510	BACB30NU3K5		..BOLT	A,M,A J-AV	2
512	AN960PD10		..WASHER	A,M,A J-AV	2
514	H10-3BAC		..NUT- (V15653) (SPEC BACN10JC3) (OPT NS202101-02 (V80539)) (OPT RMLH9075-3W (V72962)) (OPT T6S1032J (V71087)) (OPT VN303A02 (V92215)) (OPT 96-02 (V80539)) (OPT BRH10A3 (V52828))	A,M,A J-AV	2
516	BACB30NW5K		DELETED		
516A	BACR15CE5KE		..RIVET- (SIZE DETERMINE ON INST) (REWORK DWG 114T4184-1, 114T4184-2)	A,M,A J-AV	6
518	HL70-5		DELETED		
520	BACB30MY6K		..BOLT- (SIZE DETERMINE ON INST) (REWORK DWG 114T4184-1, 114T4184-2)	A,M,A J-AV	6
522	HL79-6		..COLLAR- (V56878) (SPEC BACC30M6) (OPT HL79-6 (V73197)) (OPT HL79-6 (V92215)) (OPT 66014-6 (V56878)) (OPT HL79-6 (V5M902)) (REWORK DWG 114T4184-1, 114T4184-2)	A,M,A J-AV	6

57-43-55

FIG. & ITEM	PART NO.	AIRLINE PART NUMBER	NOMENCLATURE 1234567	EFF CODE	QTY PER ASSY
02-524 524A	BACR15FT6AD L800X6K9		DELETED ..BOLT- (V06725) (SPEC BACB30MY6K9X) (OPT HL110AZ6-9 (V60156)) (REWORK DWG 114T4184-1, 114T4184-2)	A,M,A J-AV	1
525	HL79-6		..COLLAR- (V56878) (SPEC BACC30M6) (OPT HL79-6 (V73197)) (OPT HL79-6 (V92215)) (OPT 66014-6 (V56878)) (OPT HL79-6 (V5M902)) (REWORK DWG 114T4184-1, 114T4184-2)	A,M,A J-AV	1
525G	114T6420-4		..SPACER- (REWORK DWG 114T4184-1, 114T4184-2)	A,M,A J-AV	1
526 526A	BACS40R08C16F BACS40R08D17F		DELETED ..SHIM- (REWORK DWG 114T4184-1, 114T4184-2)	A,M,A J-AV	1
527	BACS40R07D10F		..SHIM- (REWORK DWG 114T4184-1, 114T4184-2)	A,M,A J-AV	1

57-43-55

ILLUSTRATED PARTS LIST  
01.1 Page 1048  
Nov 01/00



 **BOEING**  
COMPONENT  
MAINTENANCE MANUAL

FIG. & ITEM	PART NO.	AIRLINE PART NUMBER	NOMENCLATURE 1234567	EFF CODE	QTY PER ASSY
02-528	BACR15BA3AD		..RIVET- (SIZE DETERMINE ON INST) (REWORK DWG 114T4184-1, 114T4184-2)	A,M,A J-AV	40
528G	BRM200A3		..NUTPLATE- (V52828) (SPEC BACN10JP3A) (OPT MK1000-3BAC (V15653)) (OPT NS103197-02 (V80539)) (OPT RMA9201M3 (V72962)) (OPT T8076S1032 (V11815)) (OPT VN202A1-02 (V92215)) (REWORK DWG 114T4184-1, 114T4184-2)	A,M,A J-AV	8
529	BACN10JQ34		..NUTPLATE- (REWORK DWG 114T4184-1, 114T4184-2)	A,M,A J-AV	8
530 530A	NS103225-02 BACN10JQ32		DELETED ..NUTPLATE- (REWORK DWG 114T4184-1, 114T4184-2)	A,M,A J-AV	4
531	NAS1195DD3WH		..SHIM- (REWORK DWG 114T4184-1, 114T4184-2)	A,M,A J-AV	8
532 532A	NAS1195DD3KH BACS40R18E19F		DELETED ..SHIM- (REWORK DWG 114T4184-1, 114T4184-2)	A,M,A J-AV	1
533	BACF3F08N19		..FILLER- (REWORK DWG 114T4184-1, 114T4184-2)	A,M,A J-AV	1

**57-43-55**

FIG. & ITEM	PART NO.	AIRLINE PART NUMBER	NOMENCLATURE 1234567	EFF CODE	QTY PER ASSY
02-534	BACN10JQ35		DELETED		
534A	BACS40R08D24F		..SHIM- (REWORK DWG 114T4184-1, 114T4184-2)	A,M,A J-AV	1
535	BACR15BB5AD		..RIVET- (SIZE DETERMINE ON INST) (REWORK DWG 114T4184-1, 114T4184-2)	A,M,A J-AV	5
535G	114T6411-1		..FITTING-SPLICE (REWORK DWG 114T4184-1, 114T4184-2)	A,M,A J-AV	1
535P	114T6411-2		..FITTING-SPLICE (REWORK DWG 114T4184-1, 114T4184-2)	A,M,A J-AP	1
536	BACN10JQ34		DELETED		
536A	114T4198-1		..RIB ASSY-ACTR (REWORK DWG 114T4184-1)	A,A J-AP	1
-537	114T4198-2		..RIB ASSY-ACTR (REWORK DWG 114T4184-2)	M,A Q-AV	1
538	BACB28AM07B015A		DELETED		
538A	BACB28AM07B020A		...BUSHING	A,M,A J-AV	1
540	BACB28AP05P014		DELETED		
540A	BACB28AP05P019		...BUSHING	A,M,A J-AV	1

# 57-43-55

 ILLUSTRATED PARTS LIST  
 01.1 Page 1048B  
 Nov 01/00

 **BOEING**  
COMPONENT  
MAINTENANCE MANUAL

FIG. & ITEM	PART NO.	AIRLINE PART NUMBER	NOMENCLATURE 1234567	EFF CODE	QTY PER ASSY
02-					
542	114T4606-19		DELETED		
-542A	114T4606-7		DELETED		
542B	114T4198-3		...RIB	A,A J-AP	1
-544	114T4606-20		DELETED		
-544A	114T4606-8		DELETED		
-544B	114T4198-4		...RIB	M,A Q-AV	1
546	114T4607-17		DELETED		
-546A	114T4607-5		DELETED		
-546B	114T4607-5		DELETED		
-548	114T4607-18		DELETED		
-548A	114T4607-6		DELETED		
-548B	114T4607-6		DELETED		
-548C	114T4199-2		..RIB ASSY-ACTR (REWORK DWG 114T4184-2)	M,A Q-AV	1
550	BACB30NU3K5		..BOLT	A,M,A J-AV	2
552	AN960PD10		..WASHER	A,M,A J-AV	2
554	H10-3BAC		..NUT- (V15653) (SPEC BACN10JC3) (OPT NS202101-02 (V80539)) (OPT RMLH9075-3W (V72962)) (OPT T6S1032J (V71087)) (OPT VN303A02 (V92215)) (OPT 96-02 (V80539)) (OPT BRH10A3 (V52828))	A,M,A J-AV	2

57-43-55

ILLUSTRATED PARTS LIST  
01.1 Page 1048C  
Nov 01/00

FIG. & ITEM	PART NO.	AIRLINE PART NUMBER	NOMENCLATURE 1234567	EFF CODE	QTY PER ASSY
02-556	BACB30NW5K		DELETED		
556A	BACR15CE5KE		..RIVET- (SIZE DETERMINE ON INST) (REWORK DWG 114T4184-1, 114T4184-2)	A,M,A J-AV	6
558	HL70-5		DELETED		
560	BACC30NW6K		DELETED		
560A	BACB30NW6K		..BOLT- (SIZE DETERMINE ON INST) (REWORK DWG 114T4184-1, 114T4184-2)	A,M,A J-AV	1
562	BACB30MY6K		..BOLT- (SIZE DETERMINE ON INST) (REWORK DWG 114T4184-1, 114T4184-2)	A,M,A J-AV	6
564	HL79-6		..COLLAR- (V56878) (SPEC BACC30M6) (OPT HL79-6 (V73197)) (OPT HL79-6 (V92215)) (OPT 66014-6 (V56878)) (OPT HL79-6 (V5M902)) (REWORK DWG 114T4184-1, 114T4184-2)	A,M,A J-AV	7

# 57-43-55

 ILLUSTRATED PARTS LIST  
 01.1 Page 1048D  
 Nov 01/00

 **BOEING**  
COMPONENT  
MAINTENANCE MANUAL

FIG. & ITEM	PART NO.	AIRLINE PART NUMBER	NOMENCLATURE 1234567	EFF CODE	QTY PER ASSY
02- 566 566A	BACR15FT6AD L800X6K9		DELETED ..BOLT- (V06725) (SPEC BACB30MY6K9X) (OPT HL110AZ6-9 (V60156)) (REWORK DWG 114T4184-1, 114T4184-2)	A,M,A J-AV	1
567	HL79-6		..COLLAR- (V56878) (SPEC BACC30M6) (OPT HL79-6 (V73197)) (OPT HL79-6 (V92215)) (OPT 66014-6 (V56878)) (OPT HL79-6 (V5M902)) (REWORK DWG 114T4184-1, 114T4184-2)	A,M,A J-AV	1
567G	114T6420-3		..SPACER- (REWORK DWG 114T4184-1, 114T4184-2)	A,M,A J-AV	1
568 568A	BACS4OR08C16F BACS4OR08E17F		DELETED ..SHIM- (REWORK DWG 114T4184-1, 114T4184-2)	A,M,A J-AV	1
569	BACS4OR09D09F		..SHIM- (REWORK DWG 114T4184-1, 114T4184-2)	A,M,A J-AV	1
570	BACR15BA3AD		..RIVET- (SIZE DETERMINE ON INST) (REWORK DWG 114T4184-1, 114T4184-2)	A,M,A J-AV	44

**57-43-55**

ILLUSTRATED PARTS LIST  
01.1 Page 1048E  
Nov 01/00

FIG. & ITEM	PART NO.	AIRLINE PART NUMBER	NOMENCLATURE 1234567	EFF CODE	QTY PER ASSY
02-571	BRM200A3		..NUTPLATE- (V52828) (SPEC BACN10JP3A) (OPT MK1000-3BAC (V15653)) (OPT NS103197-02 (V80539)) (OPT RMA9201M3 (V72962)) (OPT T8076S1032 (V11815)) (OPT VN202A1-02 (V92215)) (REWORK DWG 114T4184-1, 114T4184-2)	A,M,A J-AV	2
572 572A	NS103225-02 BACN10JQ32		DELETED ..NUTPLATE- (REWORK DWG 114T4184-1, 114T4184-2)	A,M,A J-AV	6
573	BACN10JQ34		..NUTPLATE- (REWORK DWG 114T4184-1, 114T4184-2)	A,M,A J-AV	8
574 574A	NAS1195DD3KH BACN10JQ35		DELETED ..NUTPLATE- (REWORK DWG 114T4184-1, 114T4184-2)	A,M,A J-AV	6
575	BACS40R08E21F		..SHIM- (REWORK DWG 114T4184-1, 114T4184-2)	A,M,A J-AV	1
576 576A	BACN10JQ35 114T4184-10		DELETED ..FILLER-RADIUS (REWORK DWG 114T4184-1, 114T4184-2)	A,M,A J-AV	2
576G	BACS40R08D24F		..SHIM- (REWORK DWG 114T4184-1, 114T4184-2)	A,M,A J-AV	1

# 57-43-55

 ILLUSTRATED PARTS LIST  
 01.1 Page 1048F  
 Nov 01/00

 **BOEING**  
COMPONENT  
MAINTENANCE MANUAL

FIG. & ITEM	PART NO.	AIRLINE PART NUMBER	NOMENCLATURE 1234567	EFF CODE	QTY PER ASSY
02-577	BACR15BB5AD		..RIVET- (SIZE DETERMINE ON INST) (REWORK DWG 114T4184-1, 114T4184-2)	A,M,A J-AV	5
577G	114T6412-1		..FITTING-SPLICE (REWORK DWG 114T4184-1, 114T4184-2)	A,M,A J-AV	1
577P	114T6412-2		..FITTING-SPLICE (REWORK DWG 114T4184-1, 114T4184-2)	A,M,A J-AV	1
578	BACN10JQ34		DELETED		
578A	114T4199-1		..RIB ASSY-ACTR (REWORK DWG 114T4184-1)	A,A J-AP	1
580	BACB28AM07B015A		DELETED		
580A	BACB28AM07B020A		...BUSHING	A,M,A J-AV	1
582	BACB28AP05P014		DELETED		
582A	BACB28AP05P019		...BUSHING	A,M,A J-AV	1
584	114T4607-19		DELETED		
-584A	114T4607-7		DELETED		
584B	114T4199-3		...RIB	A,A J-AP	1
-586	114T4607-20		DELETED		
-586A	114T4607-8		DELETED		
-586B	114T4199-4		...RIB	M,A Q-AV	1
588	114T4406-9		DELETED		
-590	114T4406-10		DELETED		
592	114T4407-9		DELETED		
-594	114T4407-10		DELETED		
596	BACB30NU3K5		..BOLT	A,M,A J-AV	8
598	BACB30NT3K22		..BOLT	A,M,A J-AV	4

57-43-55

FIG. & ITEM	PART NO.	AIRLINE PART NUMBER	NOMENCLATURE 1234567	EFF CODE	QTY PER ASSY
02-600	AN960PD10		..WASHER	A,M,A J-AV	16
602	H10-3BAC		..NUT- (V15653) (SPEC BACN10JC3) (OPT NS202101-02 (V80539)) (OPT RMLH9075-3W (V72962)) (OPT T6S1032J (V71087)) (OPT VN303A02 (V92215)) (OPT 96-02 (V80539)) (OPT BRH10A3 (V52828))	A,M,A J-AV	12
604	BACB30NW6K		..BOLT- (SIZE DETERMINE ON INST)	A,M,A J-AV	16
606	BACB30MY6K		..BOLT- (SIZE DETERMINE ON INST)	A,M,A J-AV	8
608	HL79-6		..COLLAR- (V56878) (SPEC BACC30M6) (OPT HL79-6 (V73197)) (OPT HL79-6 (V92215)) (OPT 66014-6 (V56878)) (OPT HL79-6 (V5M902))	A,M,A J-AV	24
610	BACR15FT6AD		..RIVET- (SIZE DETERMINE ON INST)	A,M,A J-AP	20
612	BACS40K08C16F		DELETED		
612A	BACS40R08C16F		..SHIM	A,M,A J-AV	2
613	BACB30NW6K9X		..BOLT- (REWORK DWG 114T4184-1, 114T4184-2)	A,M,A J-AV	4

# 57-43-55

 ILLUSTRATED PARTS LIST  
 01.1 Page 1048H  
 Nov 01/00



 **BOEING**  
COMPONENT  
MAINTENANCE MANUAL

FIG. & ITEM	PART NO.	AIRLINE PART NUMBER	NOMENCLATURE 1234567	EFF CODE	QTY PER ASSY
02- 614 614A	BACR15BA3AD HL79-6		DELETED ..COLLAR- (V56878) (SPEC BACC30M6) (OPT HL79-6 (V73197)) (OPT HL79-6 (V92215)) (OPT 66014-6 (V56878)) (OPT HL79-6 (V5M902)) (REWORK DWG 114T4184-1, 114T4184-2)	A,M,A J-AV	4
615	BACB30NU3K9		..BOLT- (REWORK DWG 114T4184-1, 114T4184-2)	A,M,A J-AV	2
616 616A	NS103225-02 H10-3BAC		DELETED ..NUT- (V15653) (SPEC BACN10JC3) (OPT NS202101-02 (V80539)) (OPT RMLH9075-3W (V72962)) (OPT T6S1032J (V71087)) (OPT VN303A02 (V92215)) (OPT 96-02 (V80539)) (OPT BRH10A3 (V52828)) (REWORK DWG 114T4184-1, 114T4184-2)	A,M,A J-AV	2
617	BACS4OR08C34F		..SHIM- (REWORK DWG 114T4184-1, 114T4184-2)	A,M,A J-AV	2
618	NAS1195DD3K		DELETED		

57-43-55

FIG. & ITEM	PART NO.	AIRLINE PART NUMBER	NOMENCLATURE 1234567	EFF CODE	QTY PER ASSY
02-618A	114T6415-5		..FILLER-PIVOT FTG (REWORK DWG 114T4184-1, 114T4184-2)	A,M,A J-AV	4
619	114T6415-4		..FILLER-PIVOT FTG (REWORK DWG 114T4184-1, 114T4184-2)	A,M,A J-AV	2
620 620A	BACN10JQ33 BACR15CE5AD		DELETED ..RIVET- (SIZE DETERMINE ON INST) (REWORK DWG 114T4184-1, 114T4184-2)	A,M,A J-AV	8
621	BACS12ER3C15		..SCREW- (REWORK DWG 114T4184-1, 114T4184-2)	A,M,A J-AV	4
622 622A	BACB28AP09P022 H10-3BAC		DELETED ..NUT- (V15653) (SPEC BACN10JC3) (OPT NS202101-02 (V80539)) (OPT RMLH9075-3W (V72962)) (OPT T6S1032J (V71087)) (OPT VN303A02 (V92215)) (OPT 96-02 (V80539)) (OPT BRH10A3 (V52828)) (REWORK DWG 114T4184-1, 114T4184-2)	A,M,A J-AV	4

# 57-43-55

 ILLUSTRATED PARTS LIST  
 01.1 Page 1048J  
 Nov 01/00

 **BOEING**  
COMPONENT  
MAINTENANCE MANUAL

FIG. & ITEM	PART NO.	AIRLINE PART NUMBER	NOMENCLATURE 1234567	EFF CODE	QTY PER ASSY
02-623	114T6415-1		..PLATE-PIVOT FTG (REWORK DWG 114T4184-1, 114T4184-2)	A,M,A J-AV	4
624 624A	BACB28AM13B023A L8006K6		DELETED ..BOLT- (V06725) (SPEC BACB30MY6K6) (OPT HL10VAZ6-6 (VOPTK6)) (REWORK DWG 114T4184-1, 114T4184-2)	A,M,A J-AV	8
625	H10-3BAC		..NUT- (V15653) (SPEC BACN10JC3) (OPT NS202101-02 (V80539)) (OPT RMLH9075-3W (V72962)) (OPT T6S1032J (V71087)) (OPT VN303A02 (V92215)) (OPT 96-02 (V80539)) (OPT BRH10A3 (V52828)) (REWORK DWG 114T4184-1, 114T4184-2)	A,M,A J-AV	8

57-43-55

ILLUSTRATED PARTS LIST  
01.1 Page 1048K  
Nov 01/00

FIG. & ITEM	PART NO.	AIRLINE PART NUMBER	NOMENCLATURE 1234567	EFF CODE	QTY PER ASSY
02-626	114T4136-1		..FITTING-CLOSURE PNL SPRT (REWORK DWG 114T4184-1, 114T4184-2)	A,M,A J-AV	2
627	114T4136-2		..FITTING-CLOSURE PNL SPRT (REWORK DWG 114T4184-1, 114T4184-2)	A,M,A J-AV	2
628 628A	114T4406-11 BACB30MY12K12		DELETED ..BOLT- (REWORK DWG 114T4184-1, 114T4184-2)	A,M,A J-AV	4
628G	HL82-12APBW		..COLLAR- (V73197) (SPEC BACC30AG12) (OPT HL82-12APBW (V56878)) (OPT HL82-12APBW (V5M902)) (REWORK DWG 114T4184-1, 114T4184-2)	A,M,A J-AV	4
629	BACS40R12C26F		..SHIM- (REWORK DWG 114T4184-1, 114T4184-2)	A,M,A J-AV	1
629G	BACS40R12C28F		..SHIM- (REWORK DWG 114T4184-1, 114T4184-2)	A,M,A J-AV	1

**57-43-55**

 ILLUSTRATED PARTS LIST  
 01.1 Page 1048L  
 Nov 01/00

 **BOEING**  
COMPONENT  
MAINTENANCE MANUAL

FIG. & ITEM	PART NO.	AIRLINE PART NUMBER	NOMENCLATURE 1234567	EFF CODE	QTY PER ASSY
02-					
-630	114T4406-12		DELETED		
630A	114T4192-1		..FITTING ASSY- (REWORK DWG 114T4184-1)	A,A J-AP	1
-630G	114T4192-2		..FITTING ASSY- (REWORK DWG 114T4184-2)	M,A Q-AV	1
631	114T4193-1		..FITTING ASSY- (REWORK DWG 114T4184-1)	A,A J-AP	1
-631G	114T4193-2		..FITTING ASSY- (REWORK DWG 114T4184-2)	M,A Q-AV	1
631L	BACB28AM13B023A		...BUSHING	A,M,A J-AV	1
631P	012T2400-43		...BUSHING	A,M,A J-AV	1
631S	114T4192-3		...FITTING- (USED ON ITEM 630)	A,A J-AP	1
-631T	114T4193-3		...FITTING- (USED ON ITEM 631)	A,A J-AP	1
-631W	114T4192-4		...FITTING- (USED ON ITEM 630G)	M,A Q-AV	1
-631X	114T4193-4		...FITTING- (USED ON ITEM 631G)	M,A Q-AV	1
632	114T4407-11		DELETED		
632A	114T4406-9		..RIB ASSY-MAIN TRACK (REWORK DWG 114T4184-3)	A,A J-AP	1
-633	114T4406-10		..RIB ASSY-MAIN TRACK (REWORK DWG 114T4184-4)	M,A Q-AV	1
-634	114T4407-12		DELETED		
634A	114T4407-9		..RIB ASSY-MAIN TRACK (REWORK DWG 114T4184-5)	A,A J-AP	1
-635	114T4407-10		..RIB ASSY-MAIN TRACK (REWORK DWG 114T4184-6)	M,A Q-AV	1
636	114T4510-33		..RIB ASSY-AUX ARM	A,A J-AP	1
-638	114T4510-34		..RIB ASSY-AUX ARM	M,A Q-AV	1
640	114T4510-35		..RIB ASSY-AUX ARM	A,A J-AP	1

57-43-55

FIG. & ITEM	PART NO.	AIRLINE PART NUMBER	NOMENCLATURE 1234567	EFF CODE	QTY PER ASSY
02- -642	114T4510-36		..RIB ASSY-AUX ARM	M,A Q-AV	1
644	BACB30NT3K6		..BOLT	A,M,A J-AV	4
646	AN960PD10		..WASHER	A,M,A J-AV	4
646A	BACW10P43AL		..WASHER	A,M,A J-AV	4
648	H10-3BAC		..NUT- (V15653) (SPEC BACN10JC3) (OPT NS202101-02 (V80539)) (OPT RMLH9075-3W (V72962)) (OPT T6S1032J (V71087)) (OPT VN303A02 (V92215)) (OPT 96-02 (V80539)) (OPT BRH10A3 (V52828))	A,M,A J-AV	4
650	BACB30NW6K		..BOLT- (SIZE DETERMINE ON INST)	A,M,A J-AV	12
652	BACB30MY6K		..BOLT- (SIZE DETERMINE ON INST)	A,M,A J-AV	2
654	HL79-6		..COLLAR- (V56878) (SPEC BACC30M6) (OPT HL79-6 (V73197)) (OPT HL79-6 (V92215)) (OPT 66014-6 (V56878)) (OPT HL79-6 (V5M902))	A,M,A J-AV	14

# 57-43-55

 ILLUSTRATED PARTS LIST  
 01.1 Page 1048N  
 Nov 01/00

 **BOEING**  
COMPONENT  
MAINTENANCE MANUAL

FIG. & ITEM	PART NO.	AIRLINE PART NUMBER	NOMENCLATURE 1234567	EFF CODE	QTY PER ASSY
02-656	BACR15FT5AD		..RIVET- (SIZE DETERMINE ON INST)	A,M,A J-AV	10
657 657A	BACR15CE5KE BACB30NU3K4		DELETED ..BOLT- (REWORK DWG 114T4184-1, 114T4184-2)	A,M,A J-AV	4
657G	AN960KD10		..WASHER- (REWORK DWG 114T4184-1, 114T4184-2)	A,M,A J-AV	4
657P	H10-3BAC		..NUT- (V15653) (SPEC BACN10JC3) (OPT NS202101-02 (V80539)) (OPT RMLH9075-3W (V72962)) (OPT T6S1032J (V71087)) (OPT VN303A02 (V92215)) (OPT 96-02 (V80539)) (OPT BRH10A3 (V52828)) (REWORK DWG 114T4184-1, 114T4184-2)	A,M,A J-AV	4

**57-43-55**

ILLUSTRATED PARTS LIST  
01.1 Page 10480  
Nov 01/00

FIG. & ITEM	PART NO.	AIRLINE PART NUMBER	NOMENCLATURE	EFF CODE	QTY PER ASSY
02-658	BACS40R14C09F		1234567  ..SHIM  -----*-----	A,M,A J-AV	2

**57-43-55**

ILLUSTRATED PARTS LIST  
 01.1 Page 1048P  
 Nov 01/00



**BOEING**  
COMPONENT  
MAINTENANCE MANUAL

FIG. & ITEM	PART NO.	AIRLINE PART NUMBER	NOMENCLATURE 1234567	EFF CODE	QTY PER ASSY
02- 660 660A	HL11VAZ5-4 HL445PB5-3		DELETED ...BOLT- (V56878) (SPEC BACB30ND5A3) (OPT HL445PB5-3 (V56878)) (OPT HL445PB5-3 (V73197)) (OPT HL445PB5-3 (V92215)) (OPT 69310-5A3 (V56878)) (OPT HL445PB5-3 (V80539)) (REWORK DWG 114T4184-1, 114T4184-2) (OPT ITEM 660B)	A,M,A J-AV	4
660B	HL441UC5-3		...BOLT- (V56878) (SPEC BACB30FN5A3) (OPT HL441UC5-3 (V73197)) (OPT HL441UC5-3 (V92215)) (OPT HL441UC5-3 (V97928)) (OPT HL41PY5-3 (V80539)) (OPT HL441N5-3 (V80539)) (OPT HL441UC5-3 (V80539)) (OPT 67068-5A3 (V56878)) (OPT 67068-5A3 (V56878)) (OPT HL19-5A3 (V06725)) (OPT L839-5A3 (V06725)) (REWORK DWG 114T4184-1, 114T4184-2) (OPT ITEM 660A)	A,M,A J-AV	4

57-43-55

FIG. & ITEM	PART NO.	AIRLINE PART NUMBER	NOMENCLATURE 1234567	EFF CODE	QTY PER ASSY
02-662	AN960PD8L		...WASHER	A,M,A J-AV	4
664 664A	H10-08BAC BACN10JC08CD		DELETED ...NUT- (REWORK DWG 114T4184-1, 114T4184-2)	A,M,A J-AV	4
666 666A	114T4522-1 114T4149-1		DELETED ...PLATE-RUB (REWORK DWG 114T4184-1, 114T4184-2)	A,M,A J-AV	1
667	114T4149-2		...PLATE-RUB (REWORK DWG 114T4184-1, 114T4184-2)	A,M,A J-AV	1
668 668A	BACB30LE5-24 BACB30MY14K22		DELETED ...BOLT- (REWORK DWG 114T4184-1, 114T4184-2)	A,M,A J-AV	2
670	BACW10BP5CD		DELETED		
672	BACW10BP5DP		DELETED		
674	BACW10P362LA		DELETED		
676	BACB28U5C037		DELETED		
678	BACB28U5C058		DELETED		
680 680A	BMNN10HR5 HL79-14		DELETED ...COLLAR- (V56878) (SPEC BACC30M14) (OPT HL79-14 (V73197)) (OPT HL79-14 (V92215)) (OPT 66014-14 (V56878)) (OPT HL79-14 (V5M902)) (REWORK DWG 114T4184-1, 114T4184-2)	A,M,A J-AV	2
682	114T4506-5		...RIB ASSY- (USED ON ITEM 636)	A,A J-AP	1
-684	114T4506-6		...RIB ASSY- (USED ON ITEM 638)	M,A Q-AV	1

# 57-43-55

 ILLUSTRATED PARTS LIST  
 01.1 Page 1048R  
 Nov 01/00

 **BOEING**  
COMPONENT  
MAINTENANCE MANUAL

FIG. & ITEM	PART NO.	AIRLINE PART NUMBER	NOMENCLATURE 1234567	EFF CODE	QTY PER ASSY
02- 686 686A	114T4607-5 114T4507-5		DELETED ...RIB ASSY- (USED ON ITEM 640)	A,A J-AP	1
-688 -688A	114T4607-6 114T4507-6		DELETED ...RIB ASSY- (USED ON ITEM 642)	M,A Q-AV	1
690 692	BACB28U5C058 114T4506-7		DELETED ....RIB- (USED ON ITEM 686)	A,A J-AP	1
-694	114T4506-8		....RIB- (USED ON ITEM 688)	M,A Q-AV	1
696	114T4507-7		....RIB- (USED ON ITEM 686)	A,A J-AP	1
-698	114T4507-8		....RIB- (USED ON ITEM 688)	M,A Q-AV	1
700	114T4140-129		...ARM ASSY-AUX (USED ON ITEM 636)	A,A J-AP	1
-702	114T4140-130		...ARM ASSY-AUX (USED ON ITEM 638)	M,A Q-AV	1
704	114T4140-137		...ARM ASSY-AUX (USED ON ITEM 640)	A,A J-AP	1
-706	114T4140-138		...ARM ASSY-AUX (USED ON ITEM 642)	M,A Q-AV	1
708 708A	114T4511-1 012T2400-45		DELETED ....BUSHING- (REWORK DWG 114T4184-1, 114T4184-2)	A,M,A J-AV	1
710 712	BACB28U5C037 114T4140-133		DELETED ....ARM- (USED ON ITEM 700)	A,A J-AP	1
-714	114T4140-134		....ARM- (USED ON ITEM 702)	M,A Q-AV	1

57-43-55

FIG. & ITEM	PART NO.	AIRLINE PART NUMBER	NOMENCLATURE 1234567	EFF CODE	QTY PER ASSY
02-716	114T4140-141		....ARM- (USED ON ITEM 704)	A,A J-AP	1
-718	114T4140-142		....ARM- (USED ON ITEM 706)	M,A Q-AV	1
720	114T4140-131		...ARM ASSY-AUX (USED ON ITEM 636)	A,A J-AP	1
-722	114T4140-132		...ARM ASSY-AUX (USED ON ITEM 638)	M,A Q-AV	1
724	114T4140-139		...ARM ASSY-AUX (USED ON ITEM 640)	A,A J-AP	1
-726	114T4140-140		...ARM ASSY-AUX (USED ON ITEM 642)	M,A Q-AV	1
728	114T4511-1		DELETED		
728A	012T2400-45		....BUSHING- (REWORK DWG 114T4184-1, 114T4184-2)	A,M,A J-AV	1
730	BACB28U5C037		DELETED		
732	114T4140-135		....ARM- (USED ON ITEM 720)	A,A J-AP	1
-734	114T4140-136		....ARM- (USED ON ITEM 722)	M,A Q-AV	1
736	114T4140-143		....ARM- (USED ON ITEM 724)	A,A J-AP	1
-738	114T4140-144		....ARM- (USED ON ITEM 726)	M,A Q-AV	1
-740	114T4907-1		..RIB ASSY-END	A,A J-AP	1
-742	114T4907-2		..RIB ASSY-END	M,A Q-AV	1
744	BACR15BA3AD		...RIVET- (SIZE DETERMINE ON INST)	A,M,A J-AV	22
746	BACN10JQ34		...NUTPLATE	A,M,A J-AV	8

# 57-43-55

 ILLUSTRATED PARTS LIST  
 01.1 Page 1048T  
 Nov 01/00

**BOEING**  
COMPONENT  
MAINTENANCE MANUAL

FIG. & ITEM	PART NO.	AIRLINE PART NUMBER	NOMENCLATURE 1234567	EFF CODE	QTY PER ASSY
02-748	BACN10JQ33		...NUTPLATE	A,M,A J-AV	1
750	NS103225-02		...NUTPLATE- (V80539) (SPEC BACN10KH3) (OPT RMF9209M3 (V72962)) (OPT RMF9209M3 (V72962))	A,M,A J-AV	2
752	NAS1195DD3KH		...SHIM	A,M,A J-AV	4
-754	114T4908-1		..RIB ASSY-END	A,A J-AP	1
-756	114T4908-2		..RIB ASSY-END	M,A Q-AV	1
758	BACR15BA3AD		...RIVET- (SIZE DETERMINE ON INST) (NHA 114T4908)	A,M,A J-AV	30
760	BACN10JQ34		...NUTPLATE	A,M,A J-AV	8
762	BACN10JQ33		...NUTPLATE	A,M,A J-AV	3
764	BRFM20A3		...NUTPLATE- (V52828) (SPEC BACN10JN3) (OPT MF1000-3BAC (V15653)) (OPT NS103218-02 (V80539)) (OPT RMF9201M3 (V72962)) (OPT VN252A02 (V92215)) (OPT MF1000-3BAC (V15653)) (OPT MF53049-3 (V15653))	A,M,A J-AV	1

**57-43-55**

FIG. & ITEM	PART NO.	AIRLINE PART NUMBER	NOMENCLATURE 1234567	EFF CODE	QTY PER ASSY
02-766	NS103225-02		...NUTPLATE- (V80539) (SPEC BACN10KH3) (OPT RMF9209M3 (V72962)) (OPT RMF9209M3 (V72962))	A,M,A J-AV	3
768	NAS1195DD3KH		...SHIM	A,M,A J-AV	7
-770	114T4200-5		..SEAL INSTL-TAI	A,A J-AP	1
-772	114T4200-6		..SEAL INSTL-TAI	M,A Q-AV	1
774	BACB30NT3K4		...BOLT	A,M,A J-AV	14
776	AN96OPD10		...WASHER	A,M,A J-AV	1
778	AN96OPD10L		...WASHER	A,M,A J-AV	14
780	BACW10P43AL		...WASHER	A,M,A J-AV	8
782	H10-3BAC		...NUT- (V15653) (SPEC BACN10JC3) (OPT NS202101-02 (V80539)) (OPT RMLH9075-3W (V72962)) (OPT T6S1032J (V71087)) (OPT VN303A02 (V92215)) (OPT 96-02 (V80539)) (OPT BRH10A3 (V52828))	A,M,A J-AV	10
784	114T4221-17		...FITTING-ATTACH	A,A J-AP	1
-786	114T4221-18		...FITTING-ATTACH	M,A Q-AV	1
788	114T4222-15		...RETAINER	A,M,A J-AV	1

# 57-43-55

 ILLUSTRATED PARTS LIST  
 01.1 Page 1048V  
 Nov 01/00



**BOEING**  
COMPONENT  
MAINTENANCE MANUAL

FIG. & ITEM	PART NO.	AIRLINE PART NUMBER	NOMENCLATURE 1234567	EFF CODE	QTY PER ASSY
02-790	114T4223-39		...SEAL-BLADE	A,A J-AP	1
-792	114T4223-40		...SEAL-BLADE	M,A Q-AV	1
794	114T4221-3		...FITTING-ATTACH	A,A J-AP	1
-796	114T4221-4		...FITTING-ATTACH	M,A Q-AV	1
798	114T4222-21		...RETAINER	A,A J-AP	1
-800	114T4222-22		...RETAINER	M,A Q-AV	1
802	114T4223-33		...SEAL-BLADE	A,A J-AP	1
-804	114T4223-34		...SEAL-BLADE	M,A Q-AV	1
806	114T4240-37		...SEAL	A,A J-AP	1
-808	114T4240-38		...SEAL	M,A Q-AV	1
810	114T4240-39		...SEAL	A,A J-AP	1
-812	114T4240-40		...SEAL	M,A Q-AV	1
-814	114T4200-7		..SEAL INSTL-TAI	A,A J-AP	1
-816	114T4200-8		..SEAL INSTL-TAI	M,A Q-AV	1
818	BACB30NT3K4		...BOLT	A,M,A J-AV	2

**57-43-55**

ILLUSTRATED PARTS LIST  
01.1 Page 1048W  
Nov 01/00

FIG. & ITEM	PART NO.	AIRLINE PART NUMBER	NOMENCLATURE 1234567	EFF CODE	QTY PER ASSY
02-820	BACB30NN3K4		...BOLT	A,M,A J-AV	5
822	AN960PD10L		...WASHER	A,M,A J-AV	2
824	BACW10P43AL		...WASHER	A,M,A J-AV	7
826	H10-3BAC		...NUT- (V15653) (SPEC BACN10JC3) (OPT NS202101-02 (V80539)) (OPT RMLH9075-3W (V72962)) (OPT T6S1032J (V71087)) (OPT VN303A02 (V92215)) (OPT 96-02 (V80539)) (OPT BRH10A3 (V52828))	A,M,A J-AV	5
828	114T4220-41		DELETED		
828A	114T4240-41		...SEAL	A,A J-AP	1
-830	114T4220-42		DELETED		
-830A	114T4240-42		...SEAL	M,A Q-AV	1
832	114T4220-43		DELETED		
832A	114T4240-43		...SEAL	A,A J-AP	1
-834	114T4220-44		DELETED		
-834A	114T4240-44		...SEAL	M,A Q-AV	1

# 57-43-55

 ILLUSTRATED PARTS LIST  
 01.1 Page 1048X  
 Nov 01/00



 **BOEING**  
COMPONENT  
MAINTENANCE MANUAL

FIG. & ITEM	PART NO.	AIRLINE PART NUMBER	NOMENCLATURE 1234567	EFF CODE	QTY PER ASSY
02-836	BACR15BB3AD		DELETED		
837	BACR15BA5A		..RIVET- (SIZE DETERMINE ON INST)	A,M,A J-AV	4
838	MS27253-1		DELETED		
839	114T4912-11		..FITTING ASSY	A,A J-AP	1
841	114T4912-12		..FITTING ASSY	M,A Q-AV	1
-842	114T4912-13		..FITTING ASSY	A,A J-AP	1
-843	114T4912-14		..FITTING ASSY	M,A Q-AV	1
-844	BACR15BB3AD		..RIVET- (SIZE DETERMINE ON INST)	A,M,A J-AV	4
845	MS27253-1		..PLATE	A,M,A J-AV	1
847	BACR15BB4A		..RIVET- (SIZE DETERMINE ON INST)	A,M,A J-AV	4
849	BACR15CE6KE		..RIVET- (SIZE DETERMINE ON INST)	A,M,A J-AV	118
851	BACR15CE5KE		..RIVET- (SIZE DETERMINE ON INST)	A,M,A J-AV	8
853	BACB30NW6K		..BOLT- (SIZE DETERMINE ON INST)	A,M,A J-AV	10
855	HL79-6		..COLLAR- (V56878) (SPEC BACC30M6) (OPT HL79-6 (V73197)) (OPT HL79-6 (V92215)) (OPT 66014-6 (V56878)) (OPT HL79-6 (V5M902))	A,M,A J-AV	10
857	114T4151-5		..PANEL-LWR CLOSURE	A,A J-AP	1
-859	114T4151-6		..PANEL-LWR CLOSURE	M,A Q-AV	1
861	114T4151-7		..PANEL-LWR CLOSURE	A,A J-AP	1

57-43-55

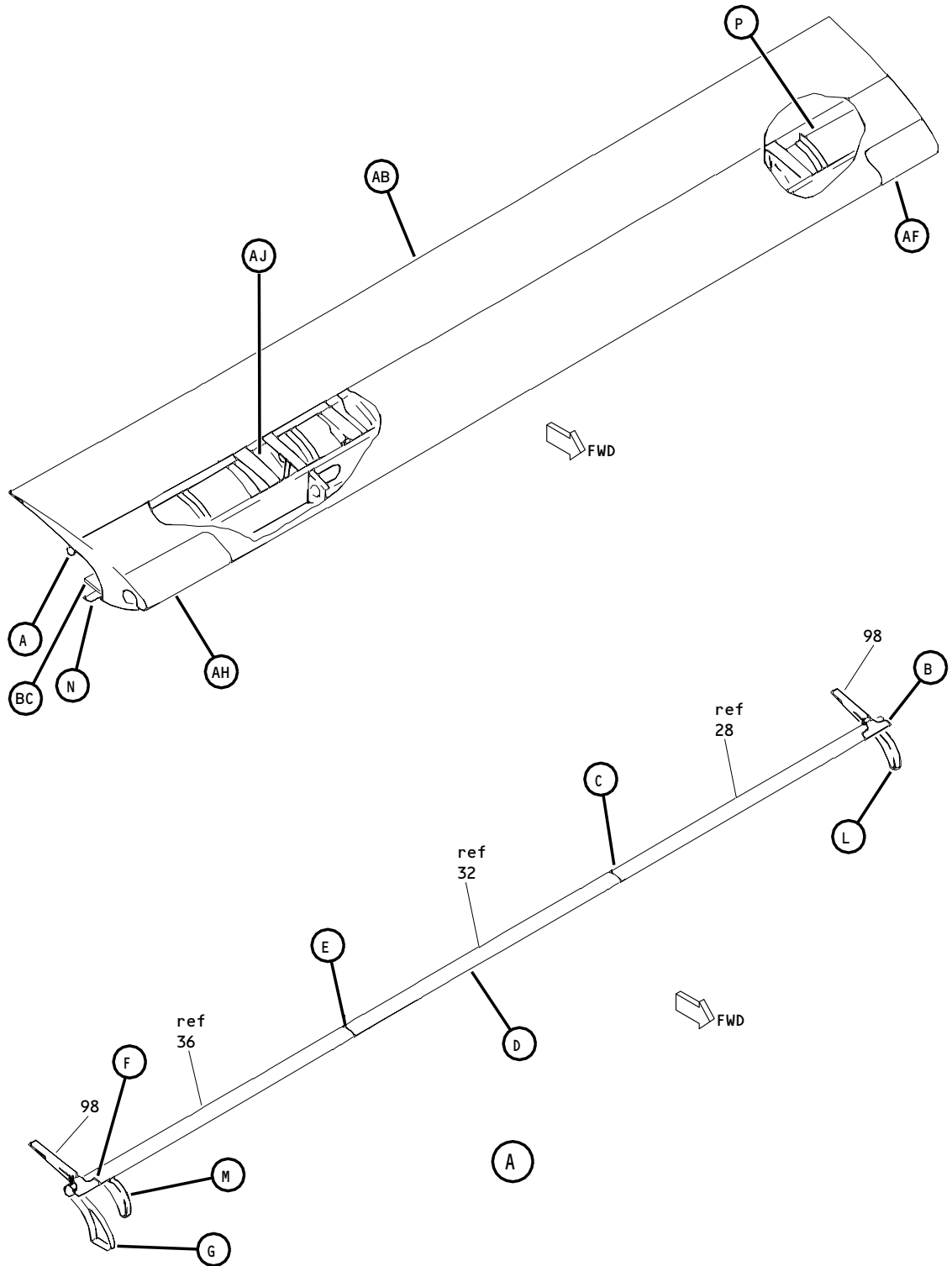
ILLUSTRATED PARTS LIST  
01.1 Page 1048Y  
Nov 01/00

FIG. & ITEM	PART NO.	AIRLINE PART NUMBER	NOMENCLATURE 1234567	EFF CODE	QTY PER ASSY
02- -863	114T4151-8		..PANEL-LWR CLOSURE	M,A Q-AV	1
865	NAS1398D6-2		..RIVET- (REWORK DWG 114T4184-1, 114T4184-2) (USED WITH ITEM 867)	A,M,A J-AV	24
867	114T4184-7		..PLATE-COVER (OPTIONAL) (REWORK DWG 114T4184-1, 114T4184-2)	A,M,A J-AV	2
960	114T4180-4		DELETED		
-960A	114T4180-14		DELETED		
965	ADB9V301NC		DELETED		
970	114T4180-9		DELETED		
-970A	114T4180-19		DELETED		

- Item Not Illustrated

**57-43-55**

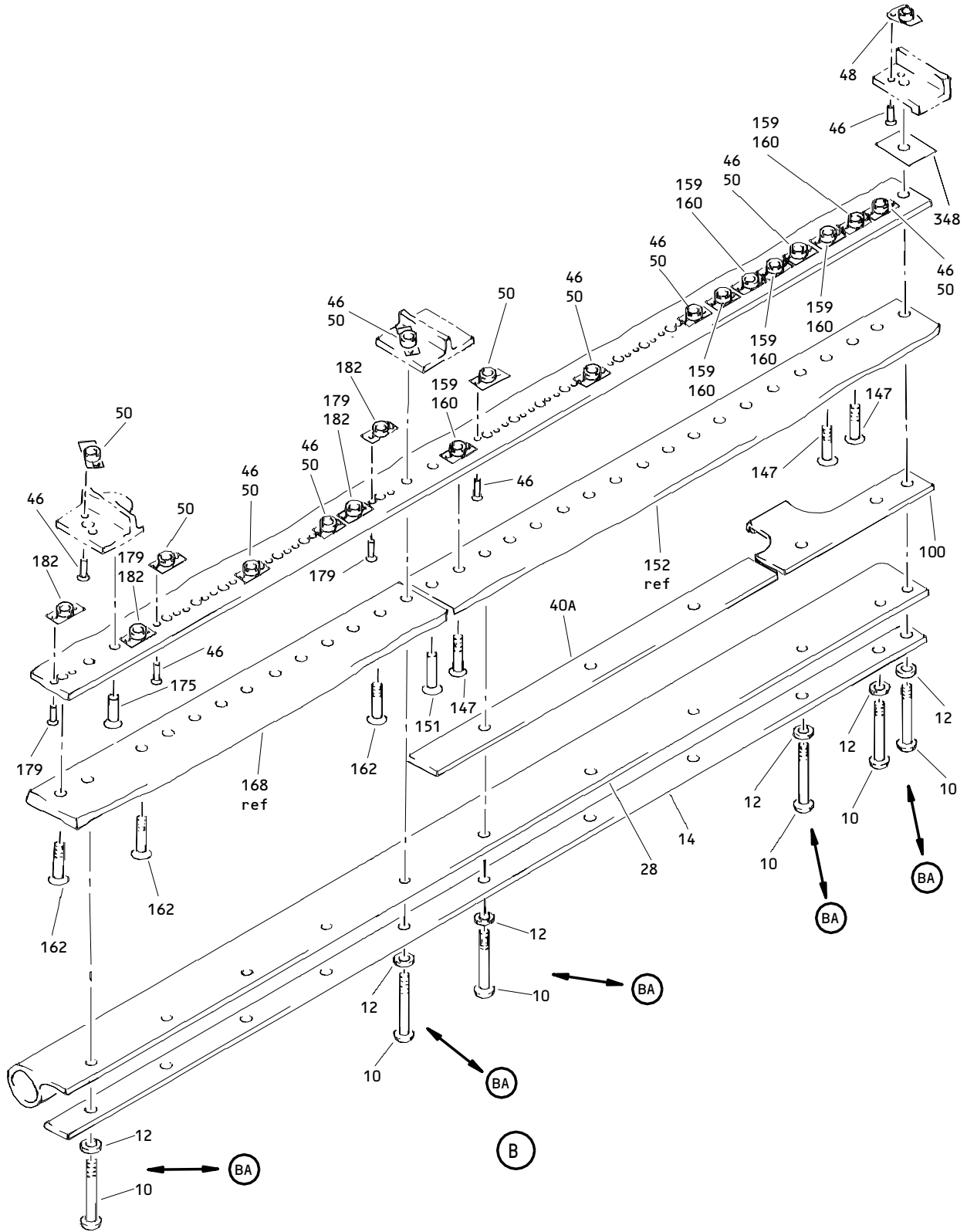
ILLUSTRATED PARTS LIST  
01.1 Page 1048Z  
Nov 01/00



Outboard Slat No. 4 Wing Leading Edge Structure Assembly  
Figure 3 (Sheet 1)

**57-43-55**

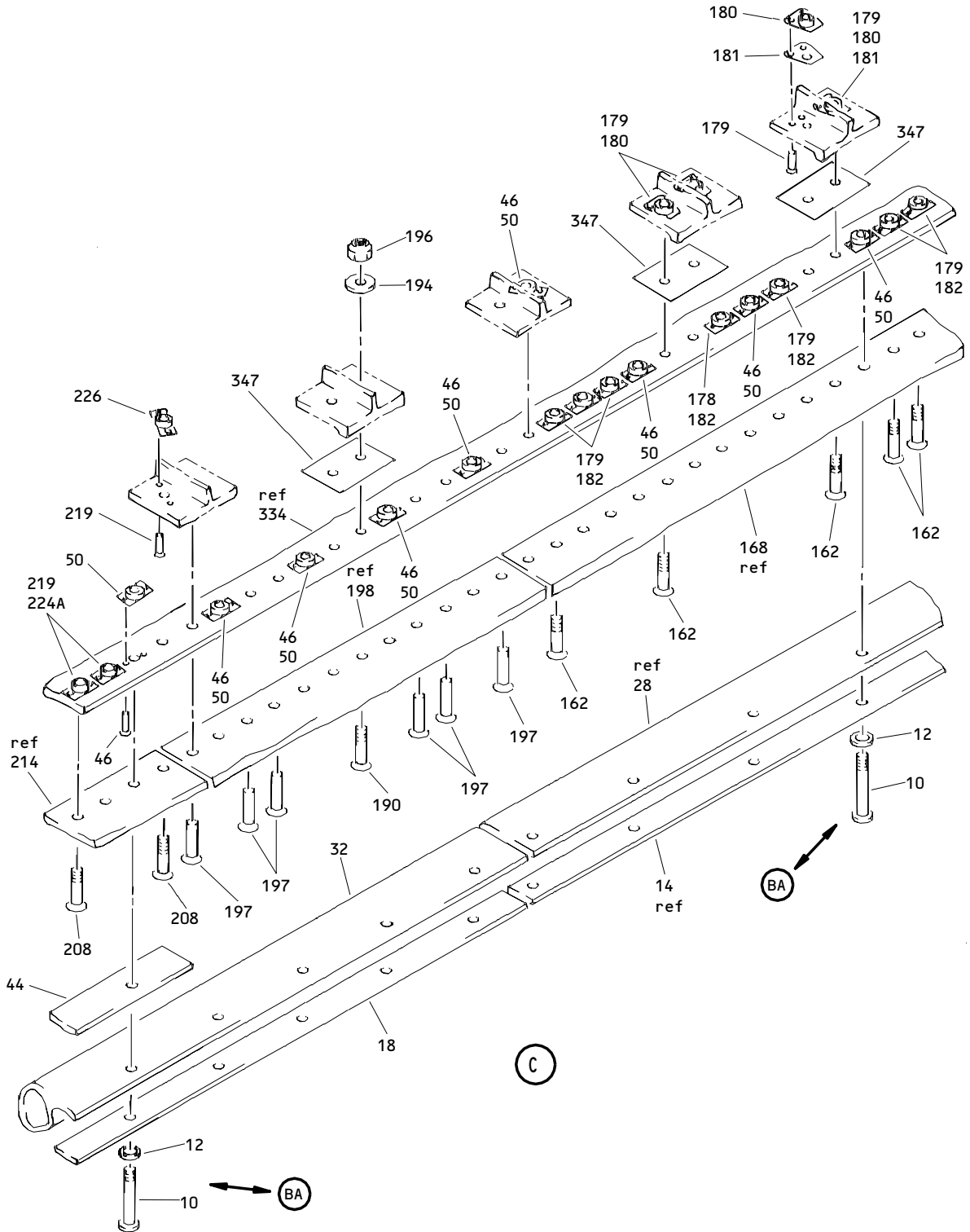
ILLUSTRATED PARTS LIST  
01.1 Page 1049  
Nov 01/00



Outboard Slat No. 4 Wing Leading Edge Structure Assembly  
 Figure 3 (Sheet 2)

**57-43-55**

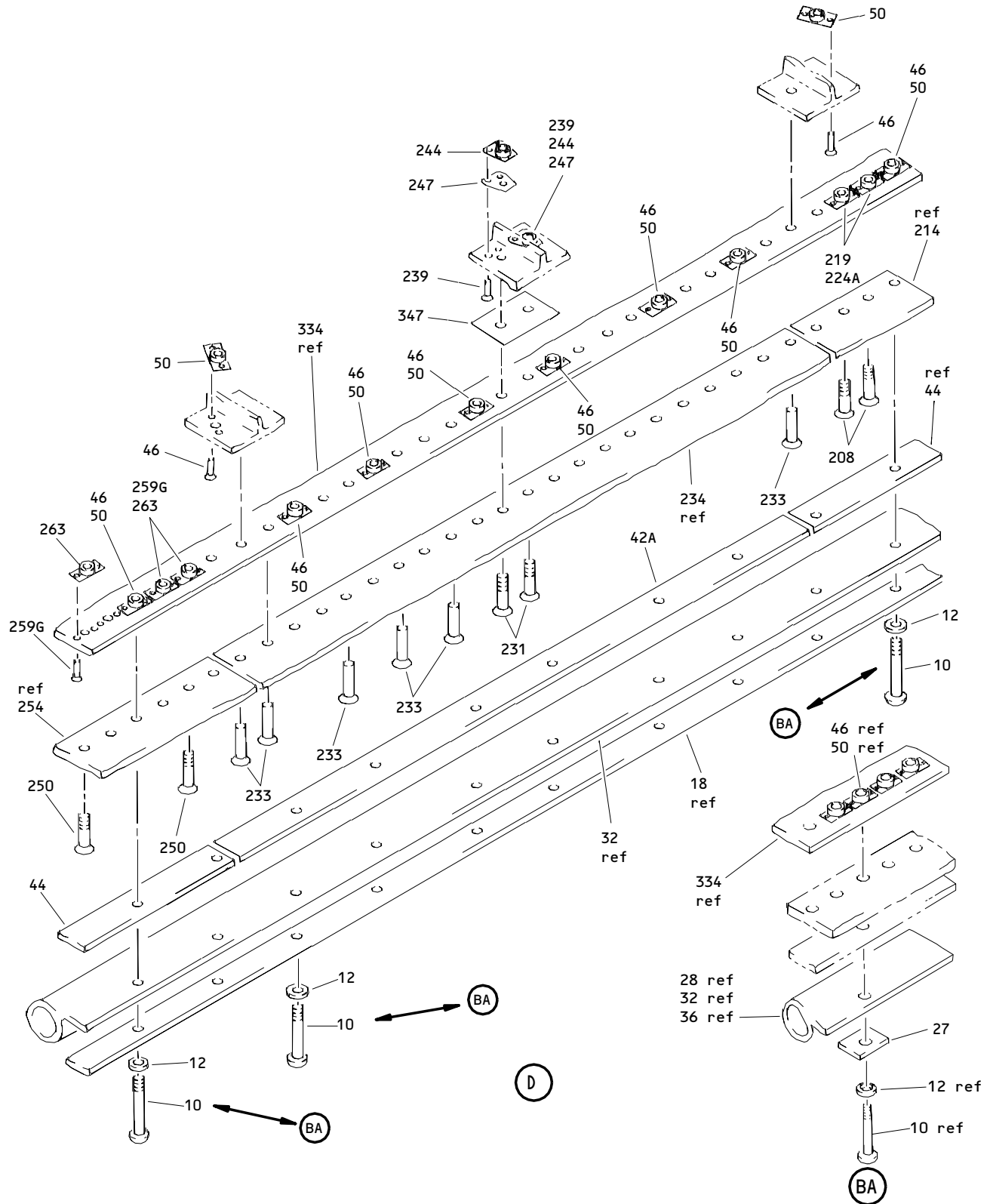
ILLUSTRATED PARTS LIST  
 01.1 Page 1050  
 Nov 01/00



Outboard Slat No. 4 Wing Leading Edge Structure Assembly  
Figure 3 (Sheet 3)

**57-43-55**

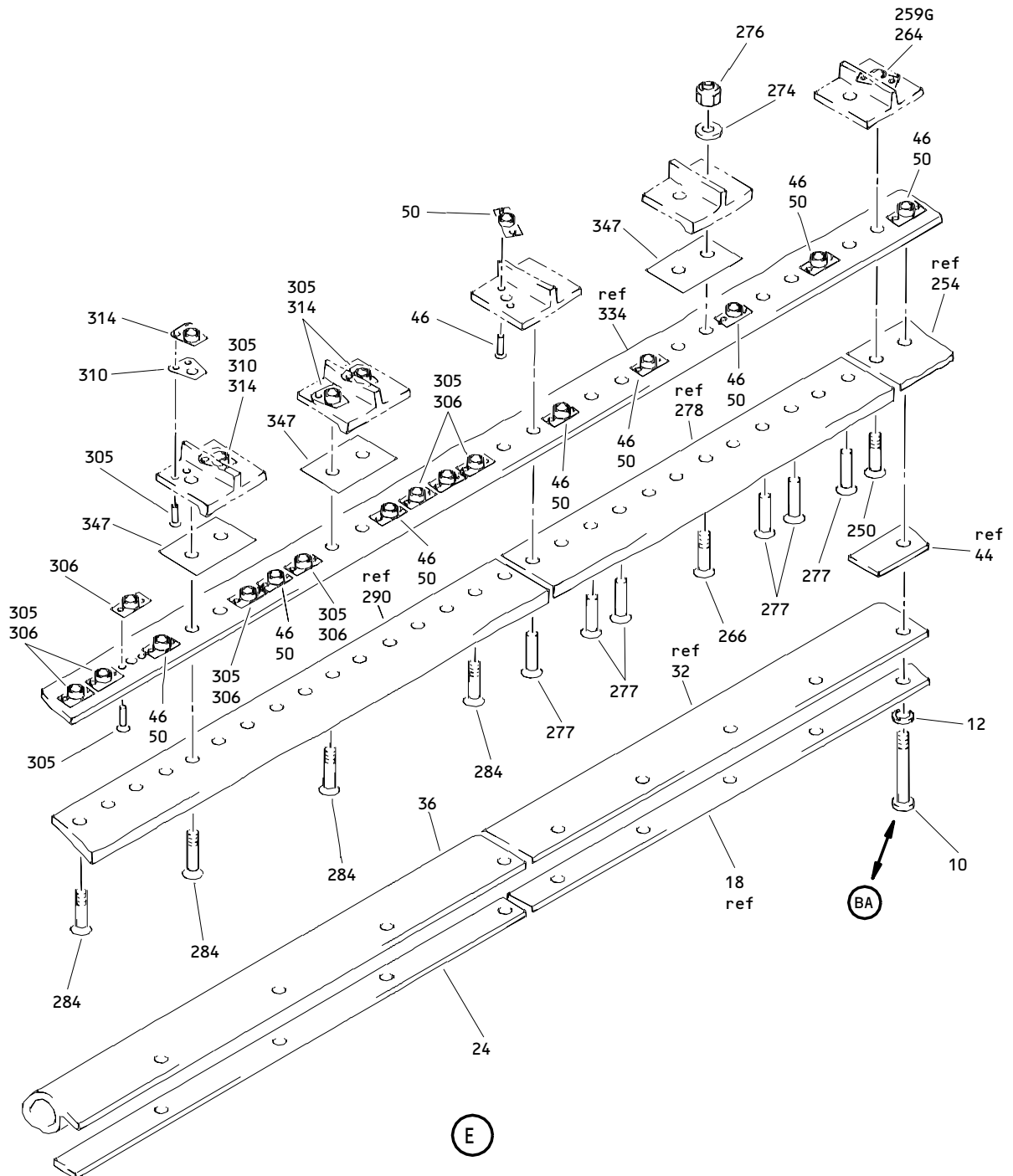
ILLUSTRATED PARTS LIST  
01.1 Page 1050A  
Nov 01/00



Outboard Slat No. 4 Wing Leading Edge Structure Assembly  
 Figure 3 (Sheet 4)

**57-43-55**

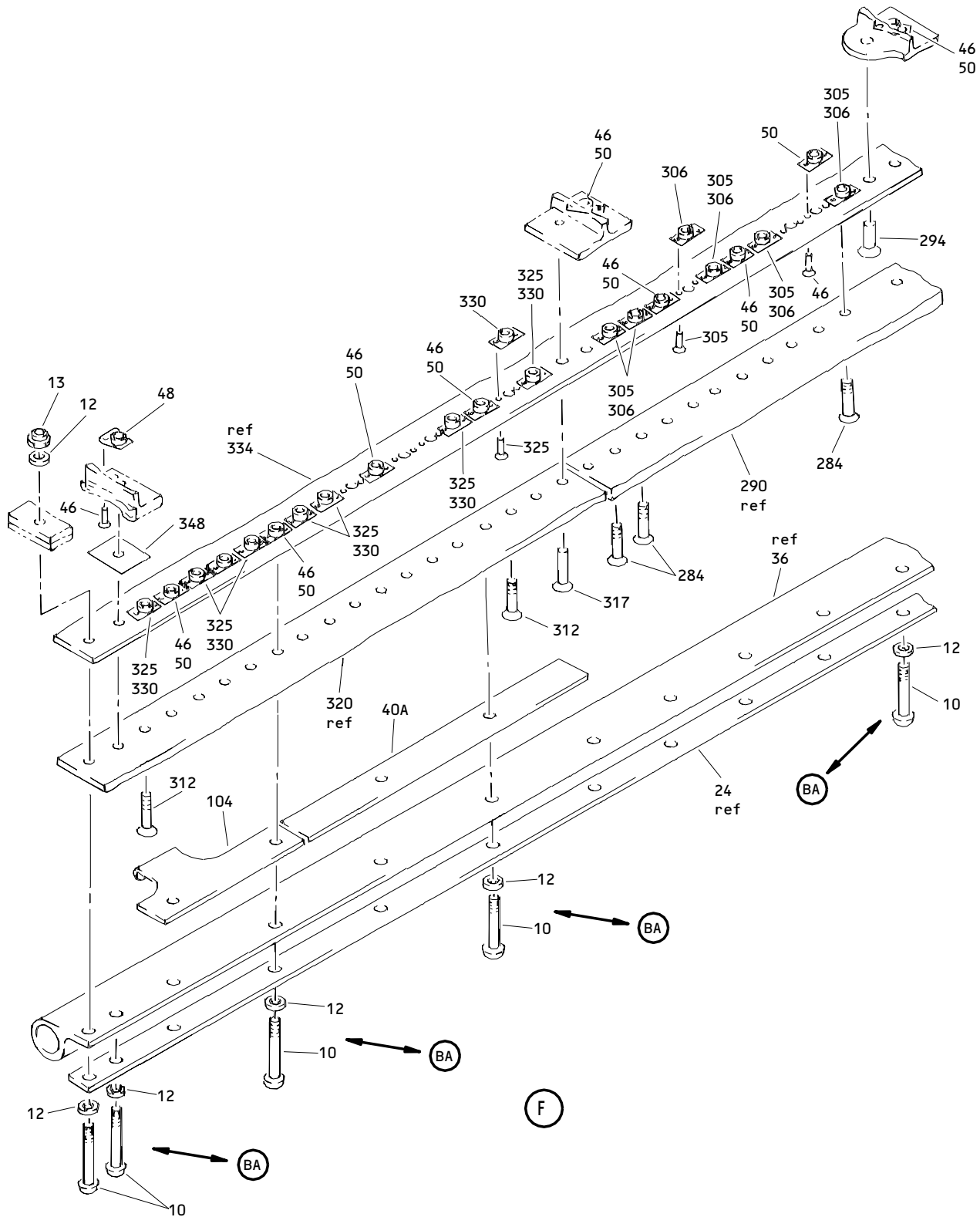
ILLUSTRATED PARTS LIST  
 01.1 Page 1050B  
 Nov 01/00



Outboard Slat No. 4 Wing Leading Edge Structure Assembly  
Figure 3 (Sheet 5)

**57-43-55**

ILLUSTRATED PARTS LIST  
01.1 Page 1050C  
Nov 01/00

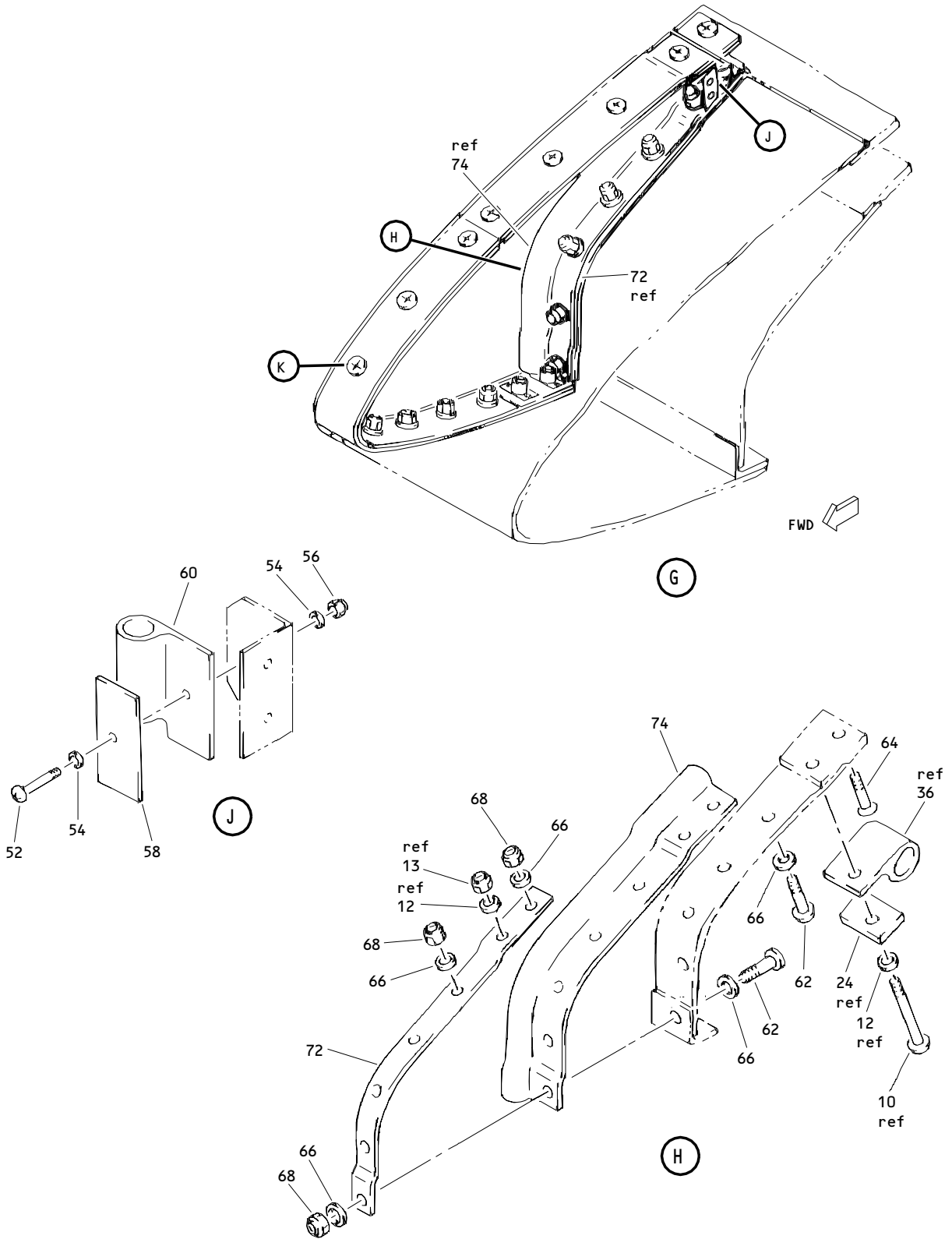


Outboard Slat No. 4 Wing Leading Edge Structure Assembly  
 Figure 3 (Sheet 6)

**57-43-55**

ILLUSTRATED PARTS LIST  
 01.1 Page 1050D  
 Nov 01/00

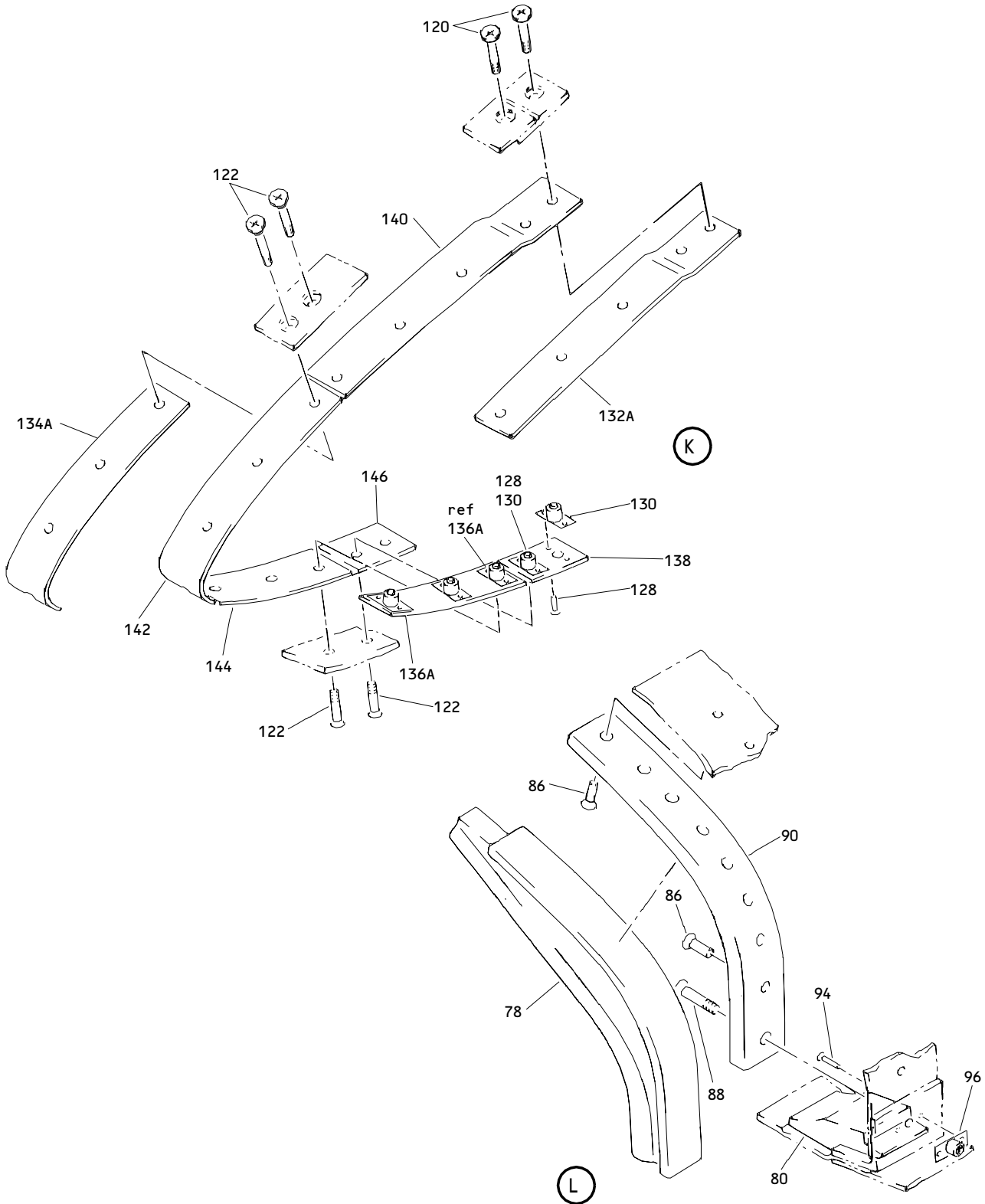




Outboard Slat No. 4 Wing Leading Edge Structure Assembly  
Figure 3 (Sheet 7)

**57-43-55**

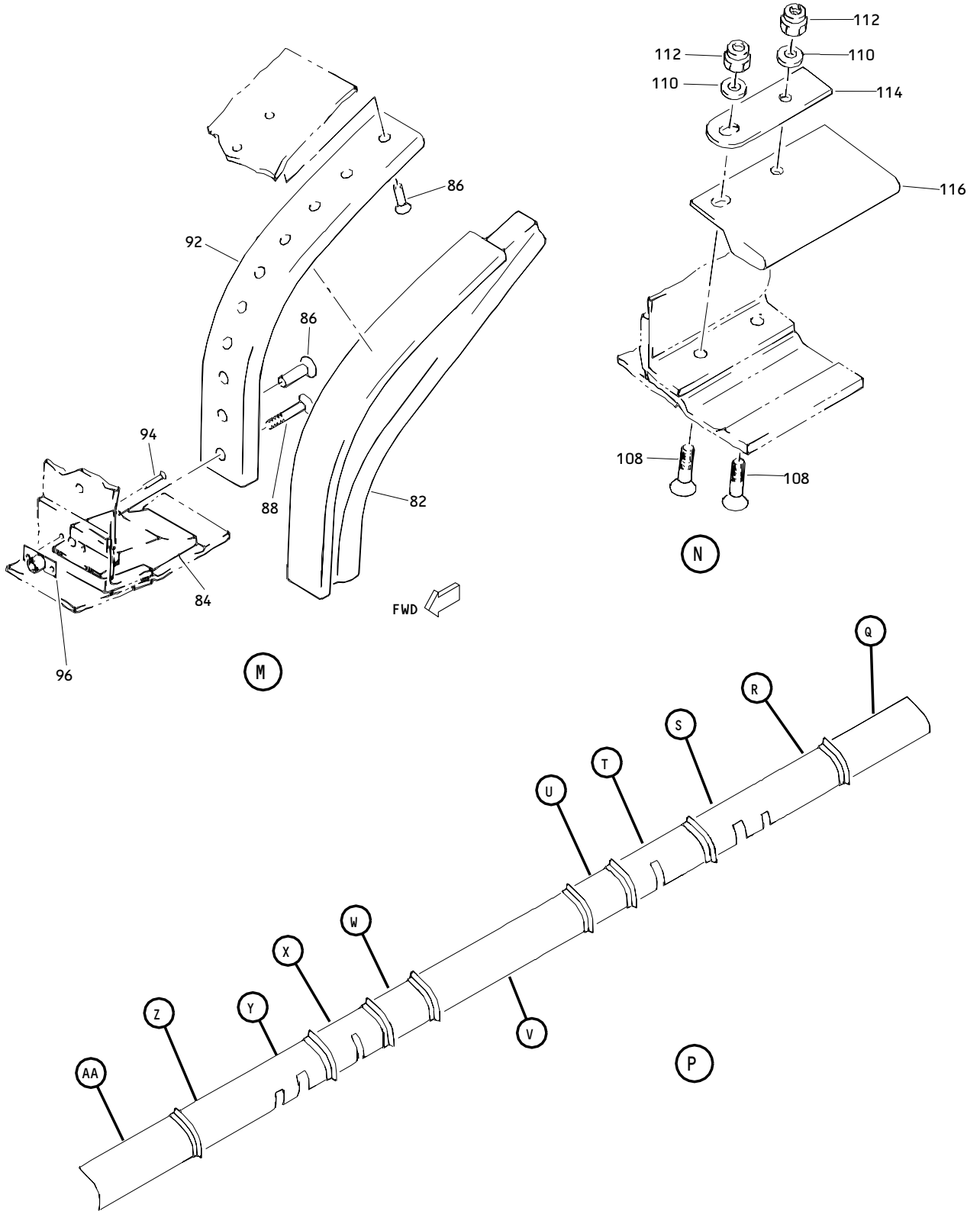
ILLUSTRATED PARTS LIST  
01.1 Page 1050E  
Nov 01/00



Outboard Slat No. 4 Wing Leading Edge Structure Assembly  
 Figure 3 (Sheet 8)

**57-43-55**

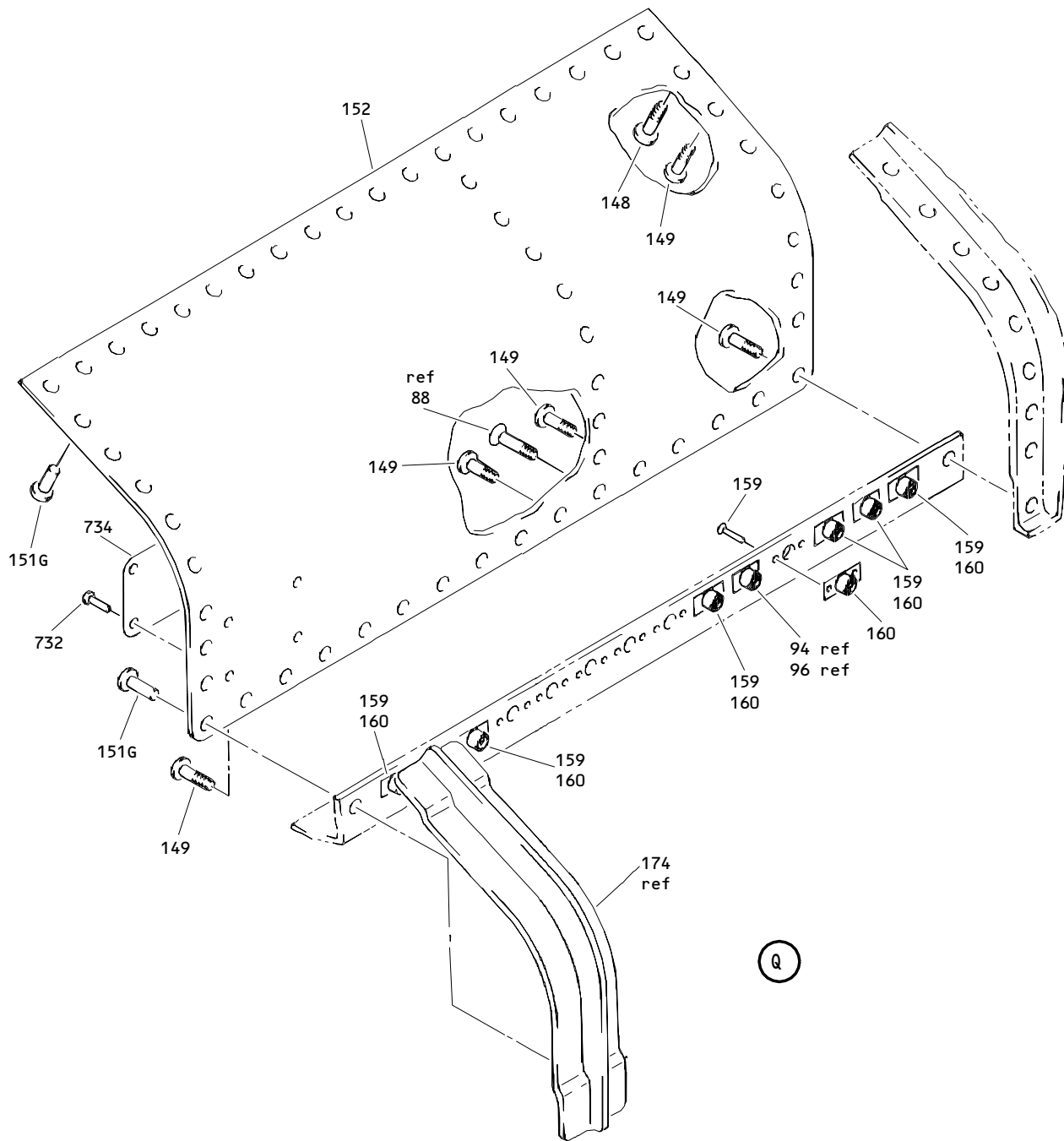
ILLUSTRATED PARTS LIST  
 01.1 Page 1050F  
 Nov 01/00



Outboard Slat No. 4 Wing Leading Edge Structure Assembly  
Figure 3 (Sheet 9)

**57-43-55**

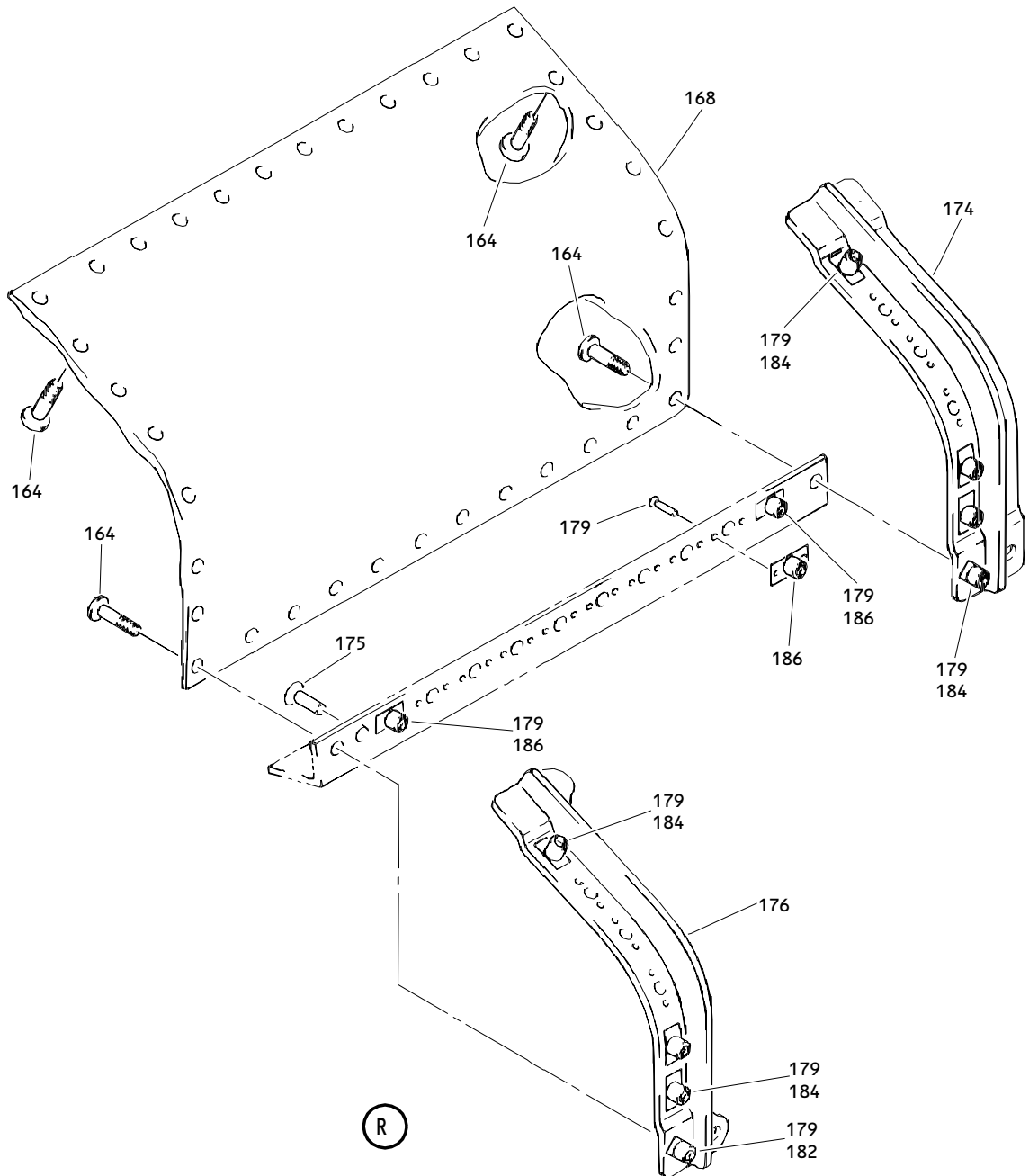
ILLUSTRATED PARTS LIST  
01.1 Page 1050G  
Nov 01/00



Outboard Slat No. 4 Wing Leading Edge Structure Assembly  
 Figure 3 (Sheet 10)

**57-43-55**

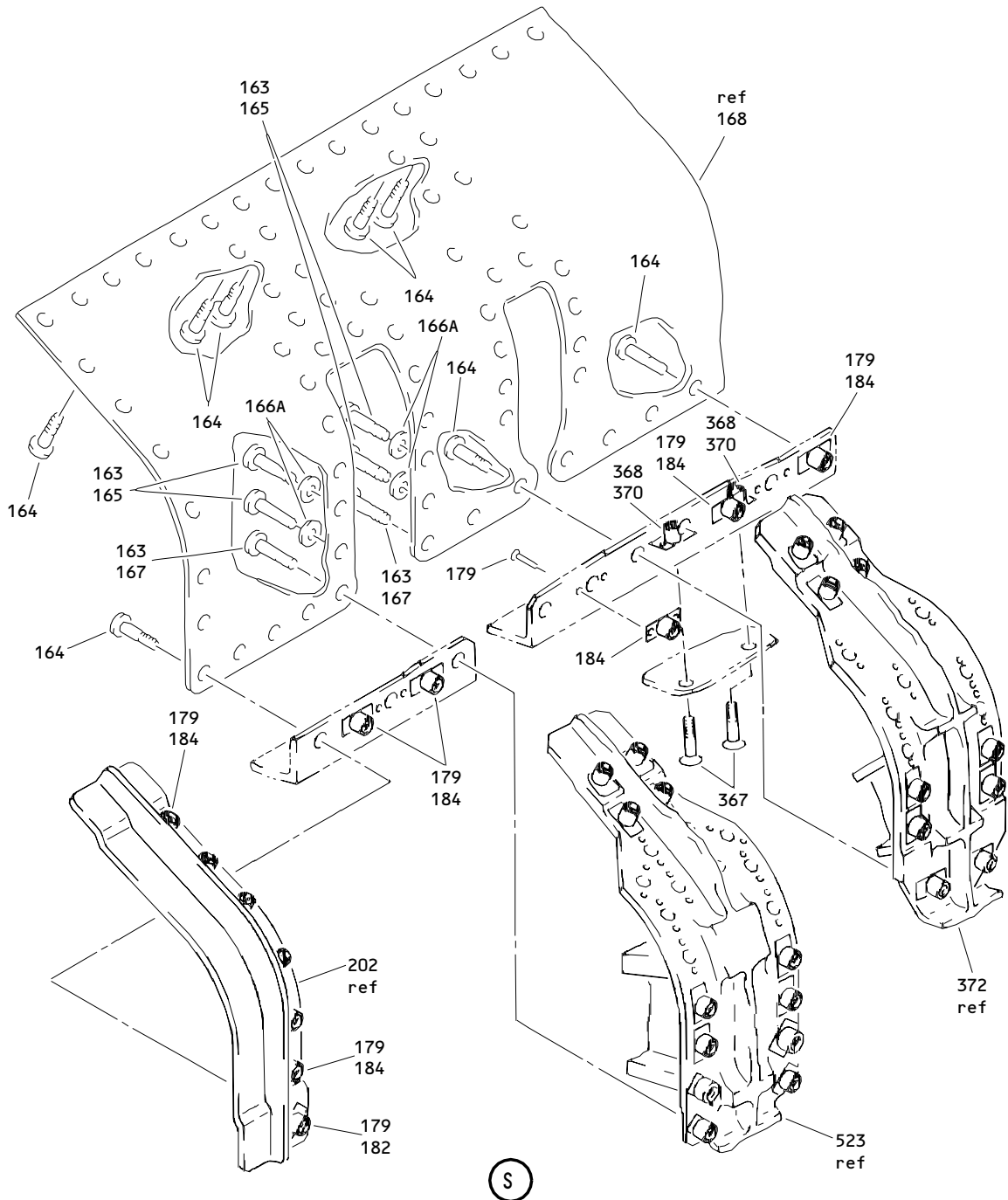
ILLUSTRATED PARTS LIST  
 01.1 Page 1050H  
 Nov 01/00



Outboard Slat No. 4 Wing Leading Edge Structure Assembly  
Figure 3 (Sheet 11)

**57-43-55**

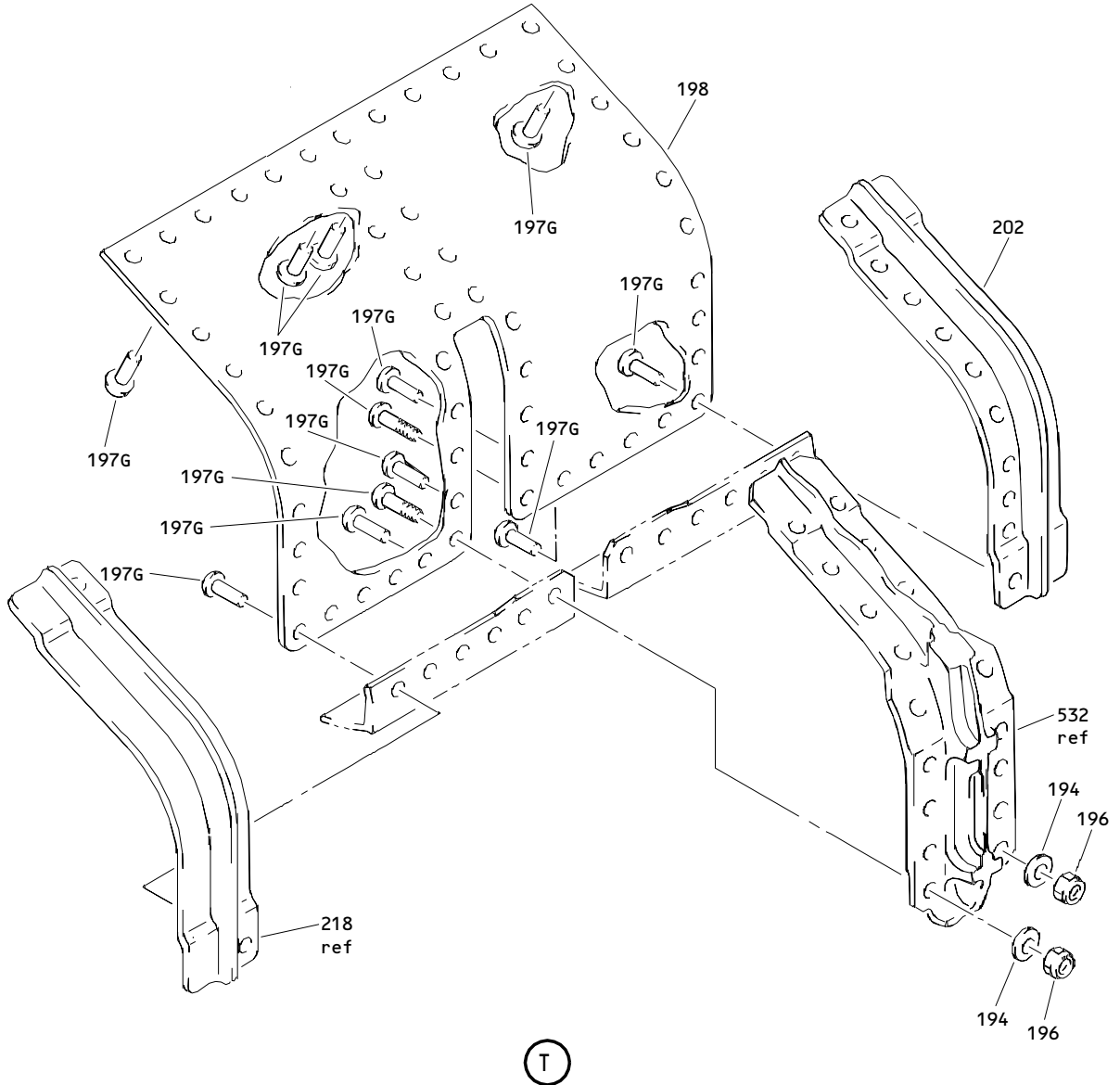
ILLUSTRATED PARTS LIST  
01.1 Page 1050I  
Nov 01/00



Outboard Slat No. 4 Wing Leading Edge Structure Assembly  
 Figure 3 (Sheet 12)

**57-43-55**

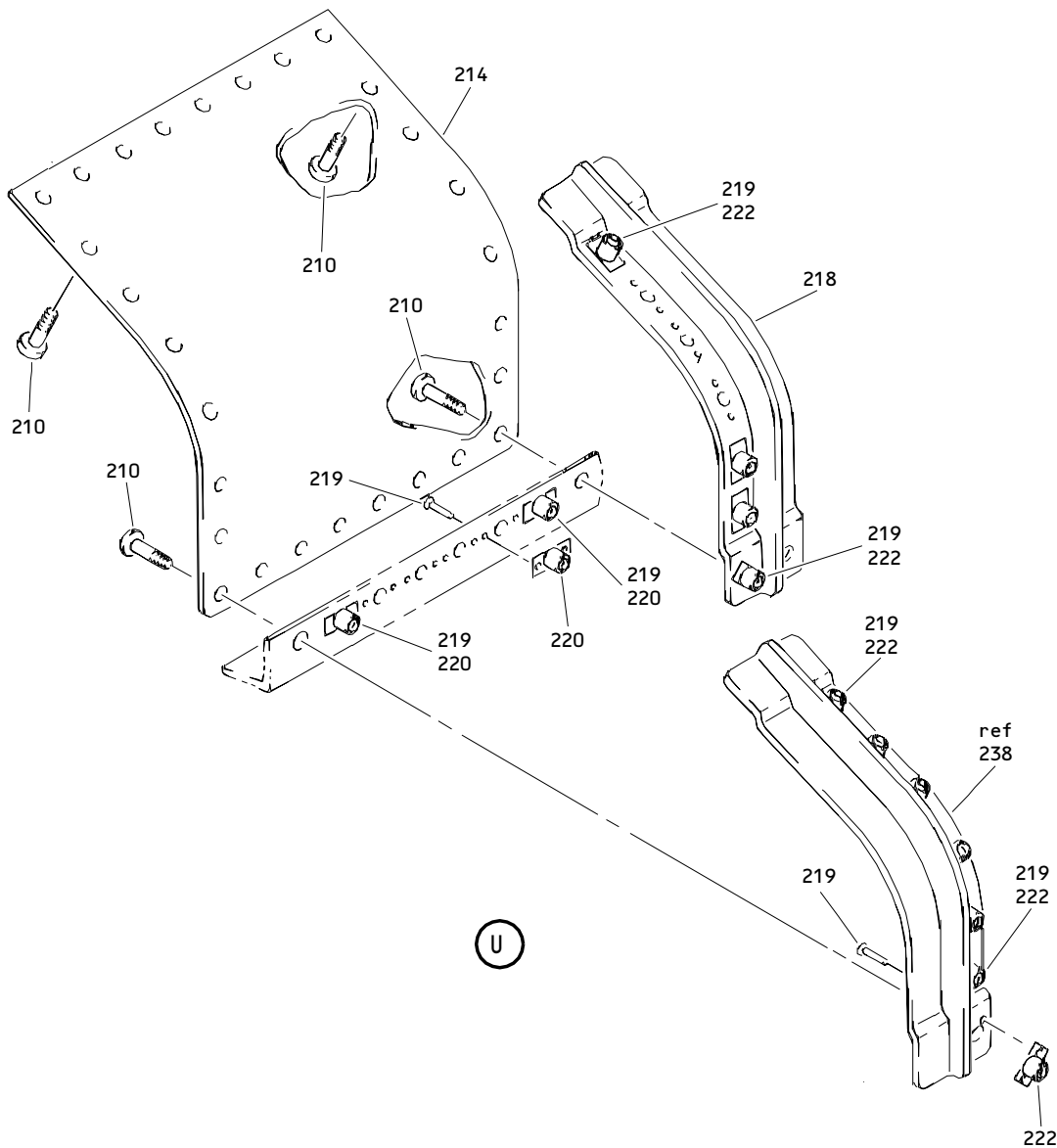
ILLUSTRATED PARTS LIST  
 01.1 Page 1050J  
 Nov 01/00



Outboard Slat No. 4 Wing Leading Edge Structure Assembly  
Figure 3 (Sheet 13)

**57-43-55**

ILLUSTRATED PARTS LIST  
01.1 Page 1050K  
Nov 01/00

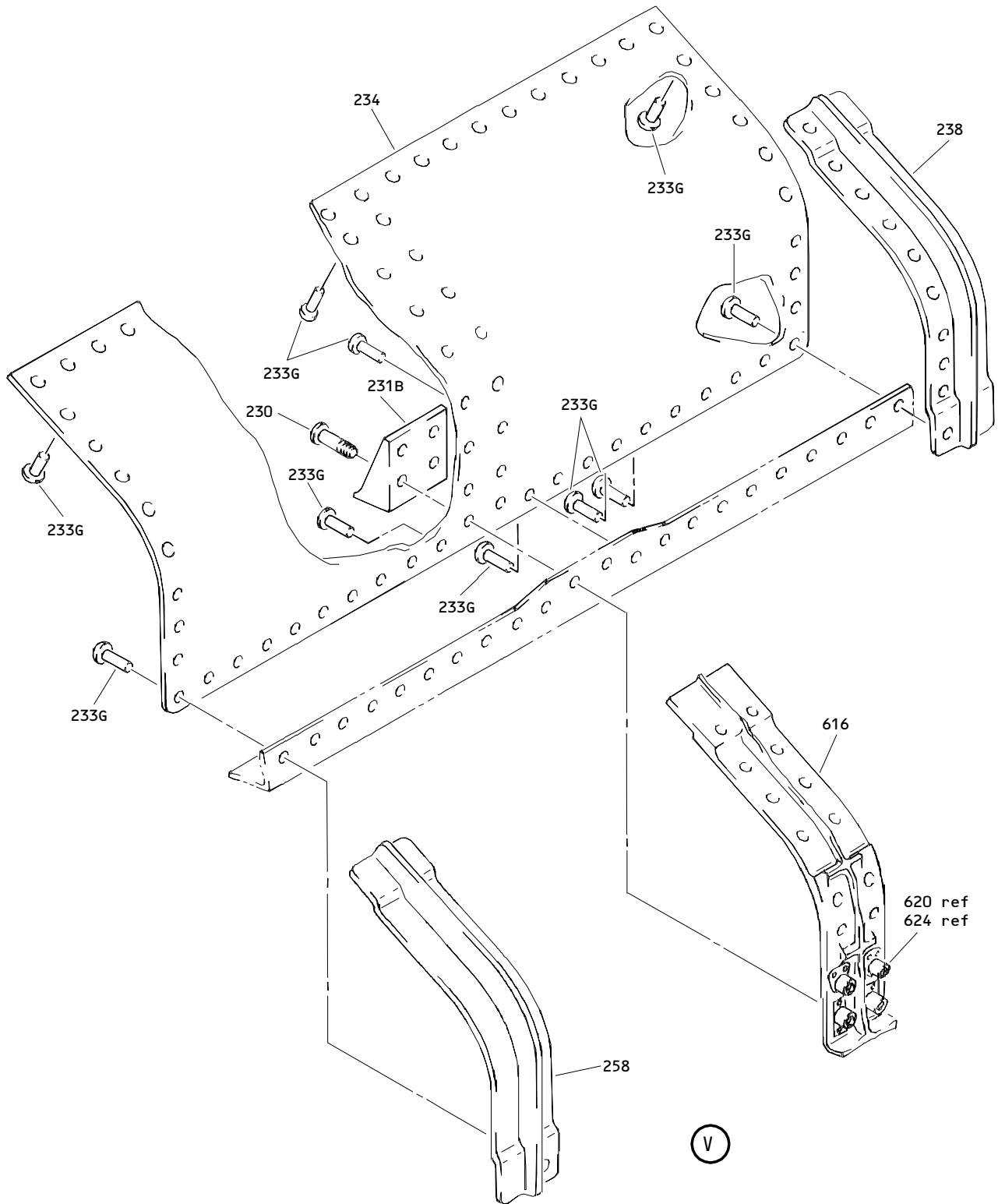


Outboard Slat No. 4 Wing Leading Edge Structure Assembly  
Figure 3 (Sheet 14)

**57-43-55**

ILLUSTRATED PARTS LIST  
01.1 Page 1050L  
Nov 01/00

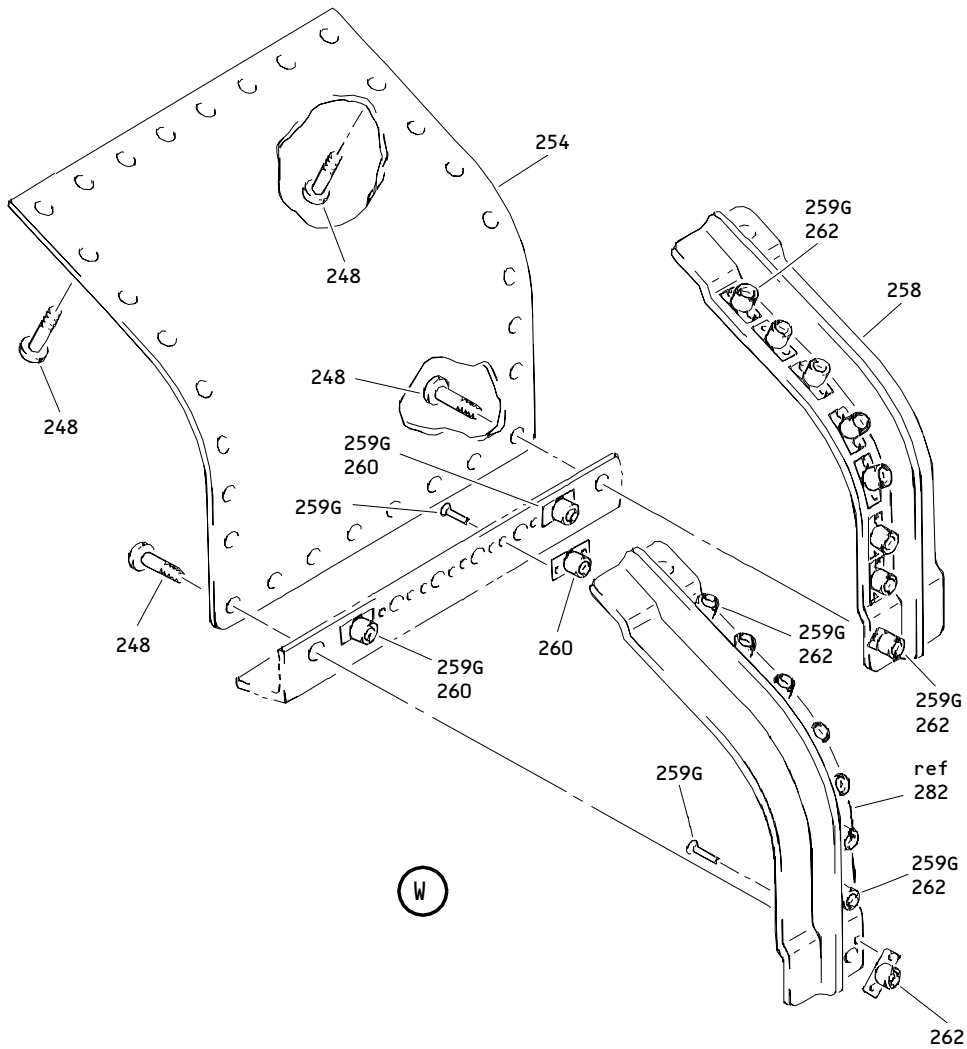




Outboard Slat No. 4 Wing Leading Edge Structure Assembly  
Figure 3 (Sheet 15)

**57-43-55**

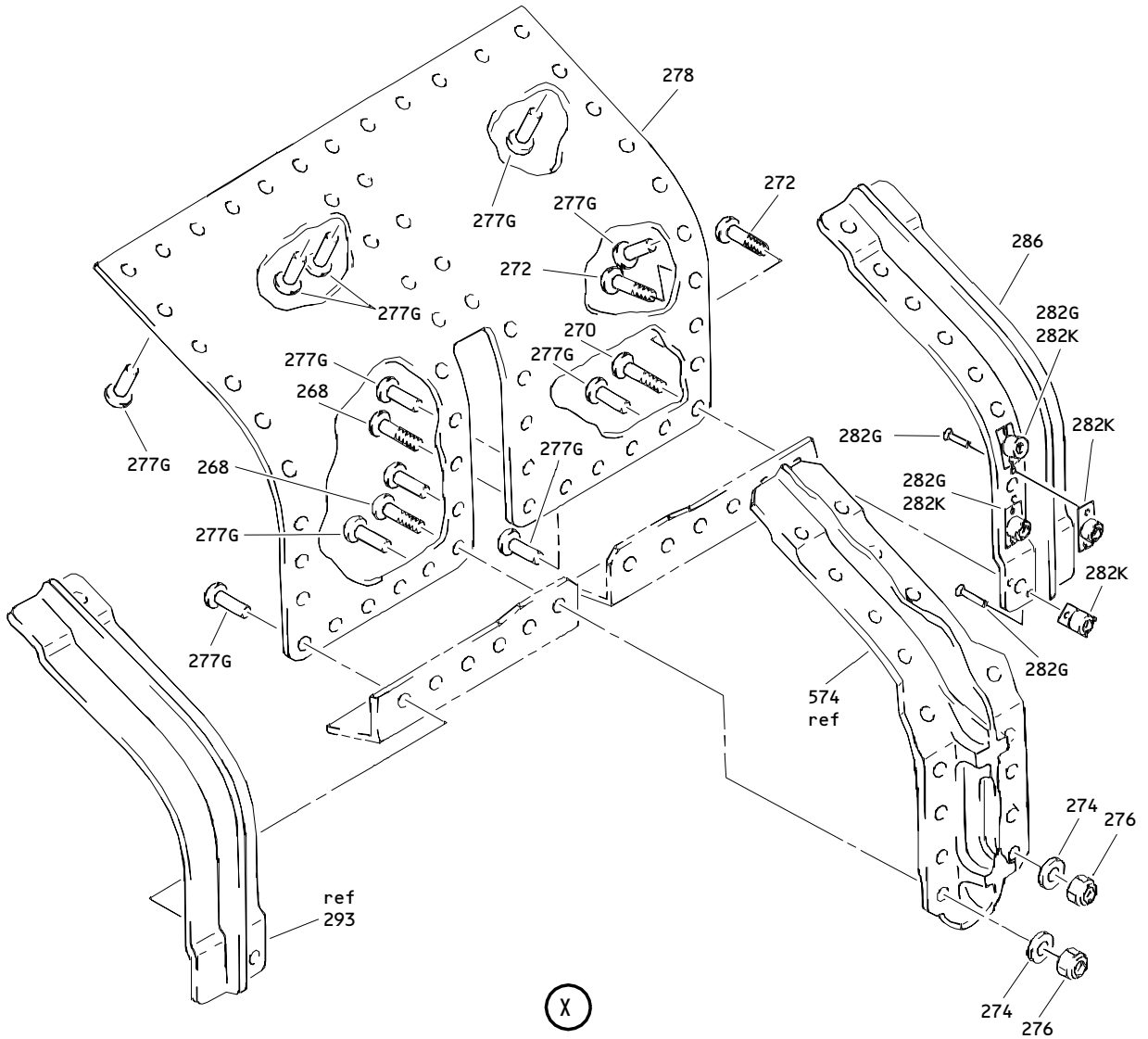
ILLUSTRATED PARTS LIST  
01.1 Page 1050M  
Nov 01/00



Outboard Slat No. 4 Wing Leading Edge Structure Assembly  
 Figure 3 (Sheet 16)

**57-43-55**

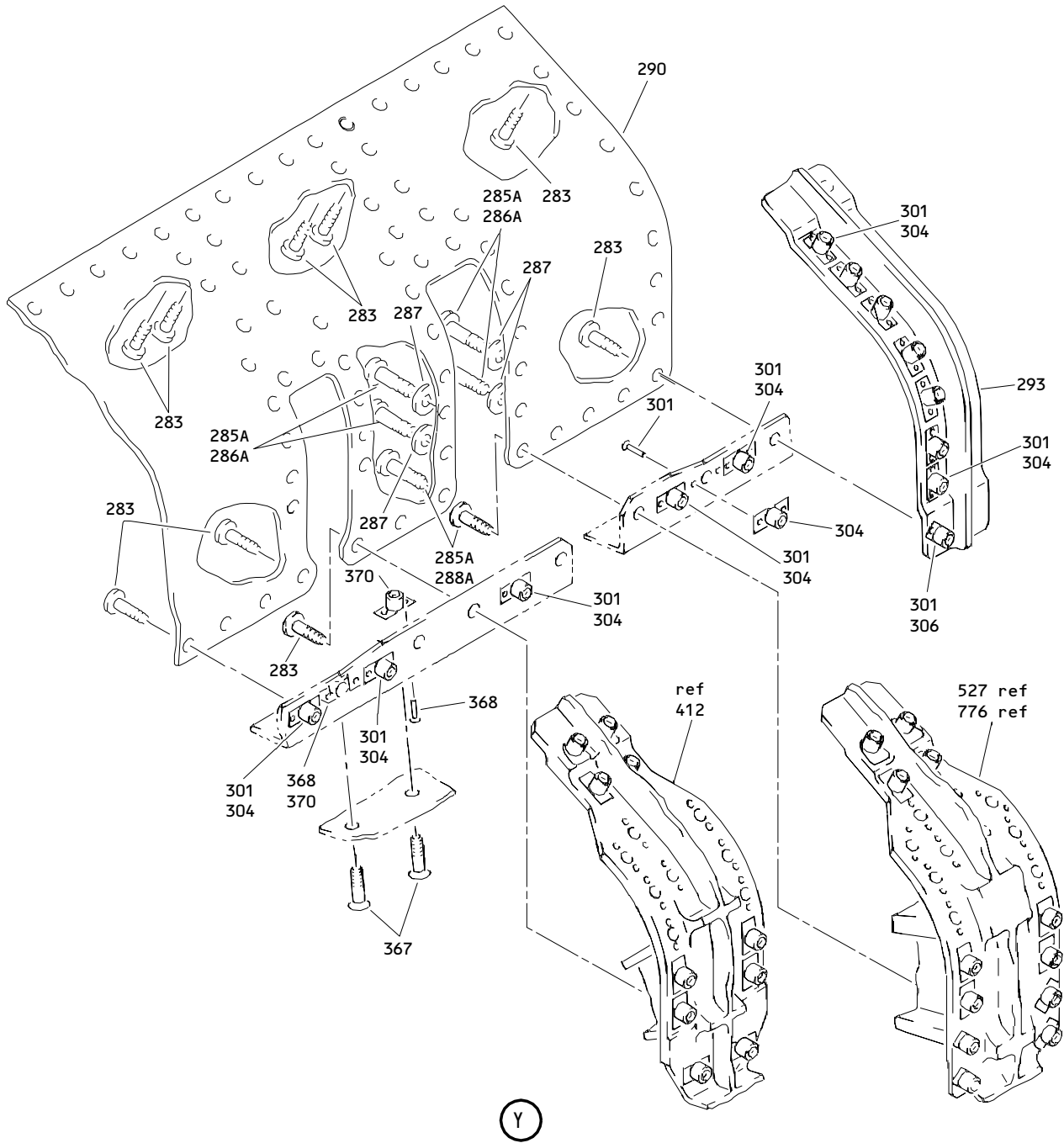
ILLUSTRATED PARTS LIST  
 01.1 Page 1050N  
 Nov 01/00



Outboard Slat No. 4 Wing Leading Edge Structure Assembly  
Figure 3 (Sheet 17)

**57-43-55**

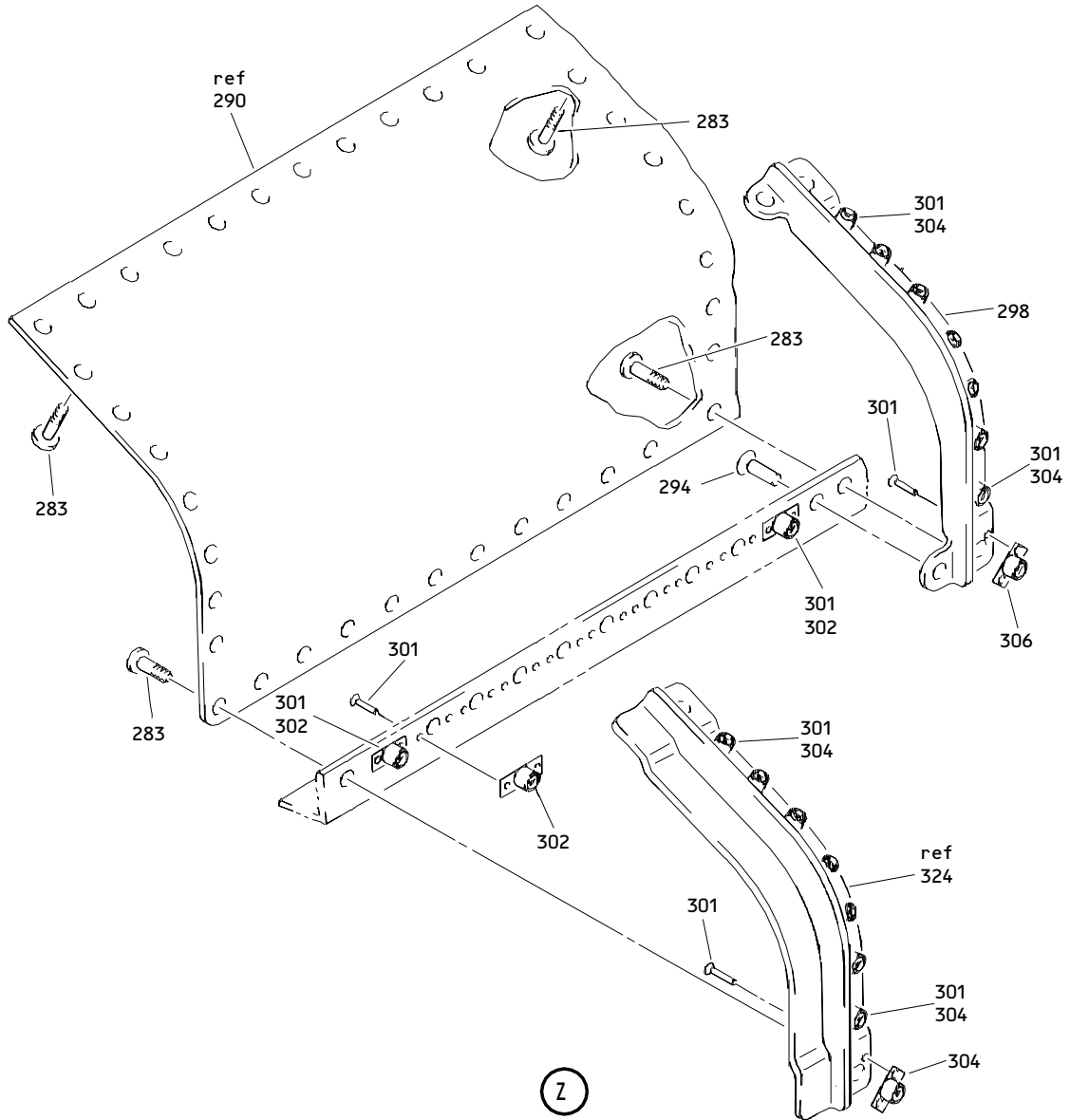
ILLUSTRATED PARTS LIST  
01.1 Page 10500  
Nov 01/00



Outboard Slat No. 4 Wing Leading Edge Structure Assembly  
 Figure 3 (Sheet 18)

**57-43-55**

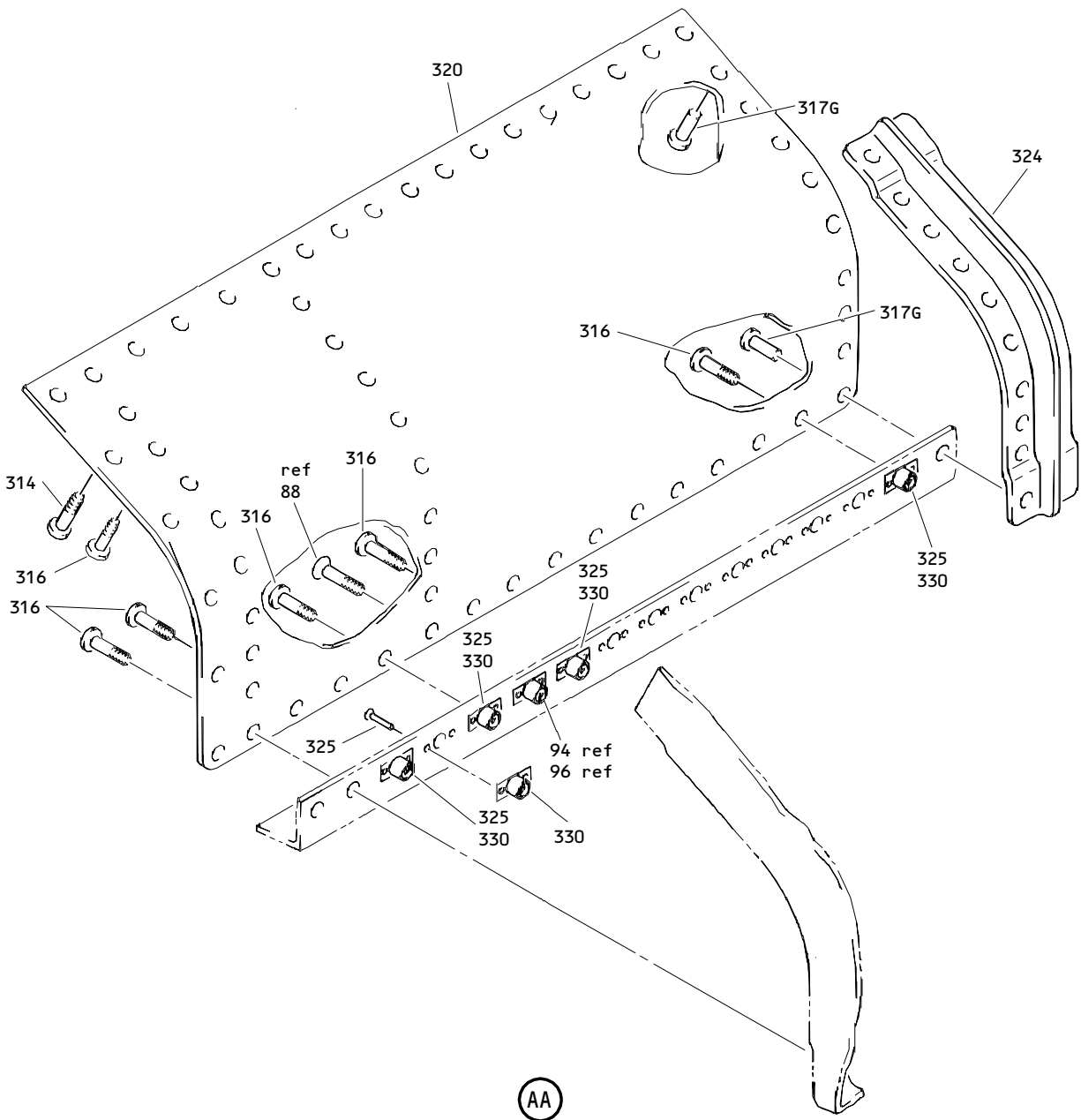
ILLUSTRATED PARTS LIST  
 01.1 Page 1050P  
 Nov 01/00



Outboard Slat No. 4 Wing Leading Edge Structure Assembly  
Figure 3 (Sheet 19)

**57-43-55**

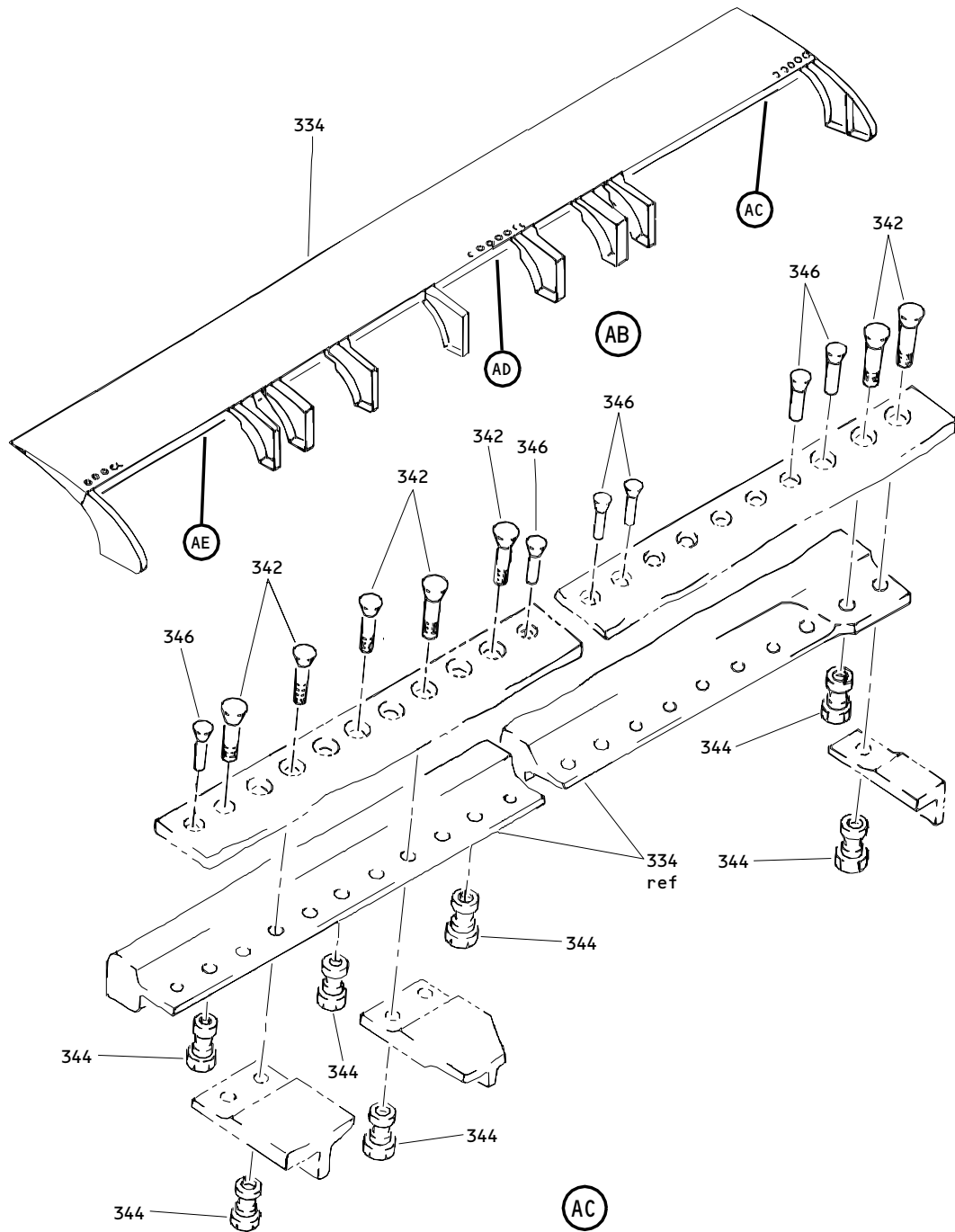
ILLUSTRATED PARTS LIST  
01.1 Page 1050Q  
Nov 01/00



Outboard Slat No. 4 Wing Leading Edge Structure Assembly  
Figure 3 (Sheet 20)

**57-43-55**

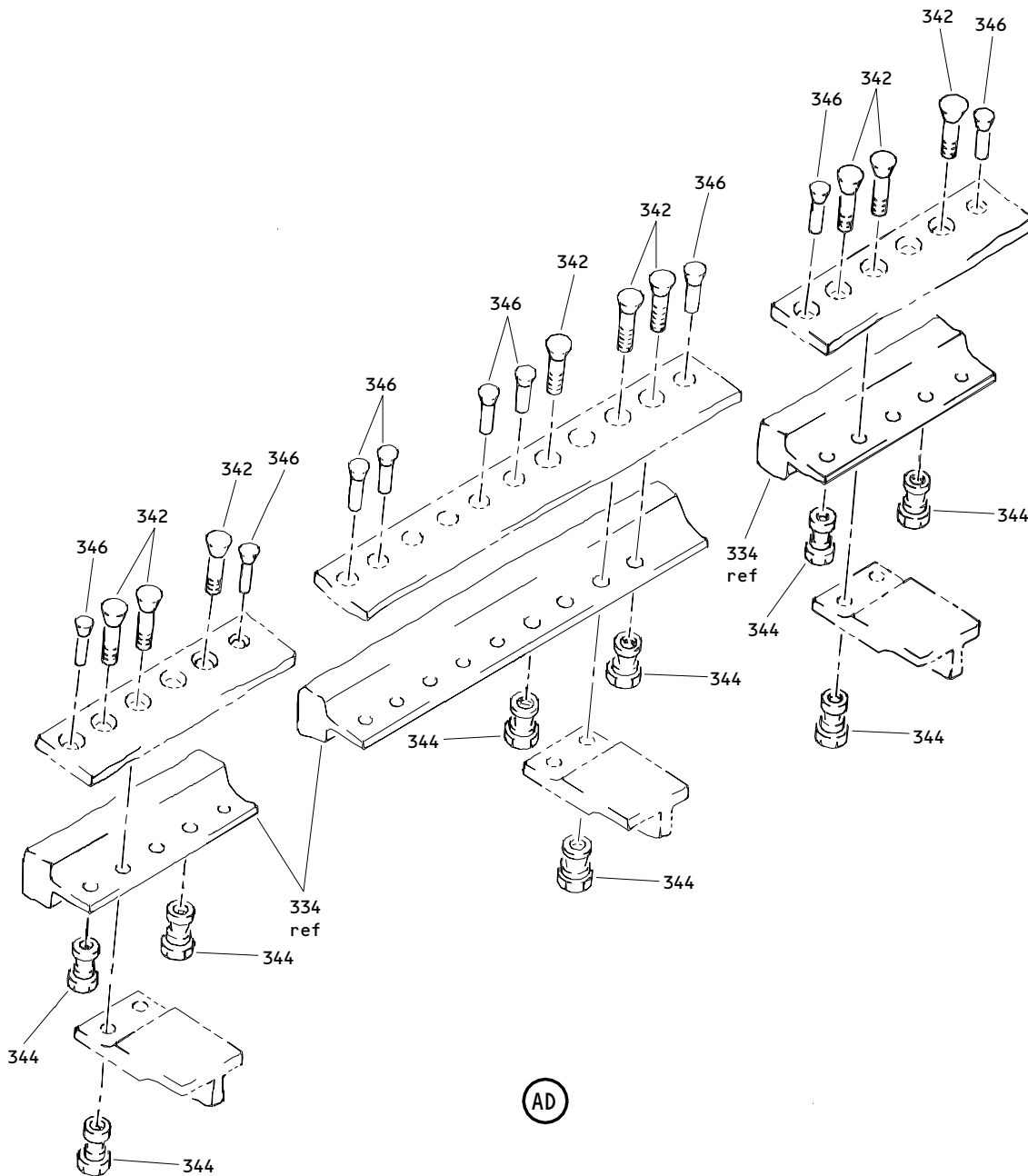
ILLUSTRATED PARTS LIST  
01.1 Page 1050R  
Nov 01/00



Outboard Slat No. 4 Wing Leading Edge Structure Assembly  
Figure 3 (Sheet 21)

**57-43-55**

ILLUSTRATED PARTS LIST  
01.1 Page 1050S  
Nov 01/00

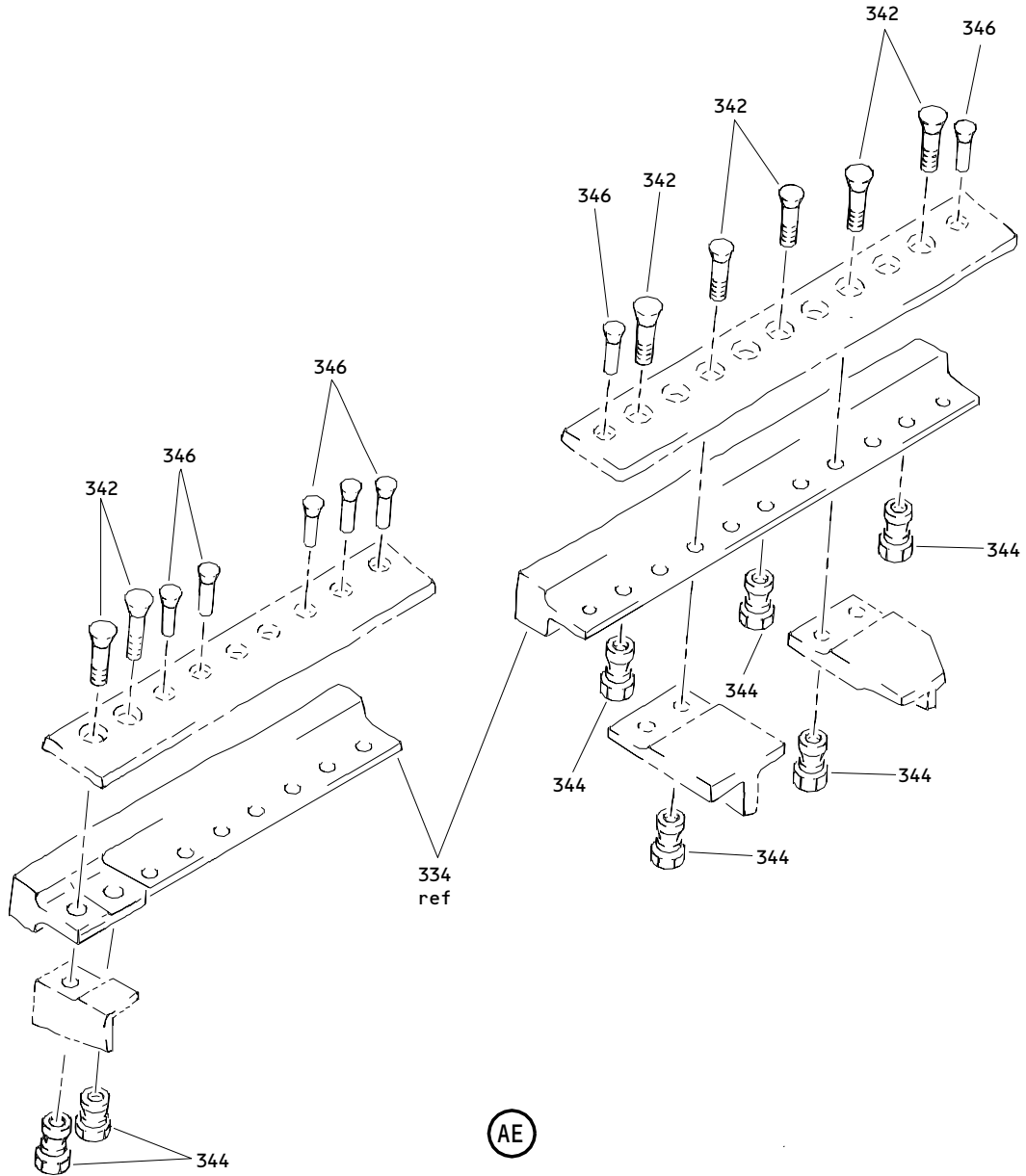


Outboard Slat No. 4 Wing Leading Edge Structure Assembly  
Figure 3 (Sheet 22)

**57-43-55**

ILLUSTRATED PARTS LIST  
01.1 Page 1050T  
Nov 01/00

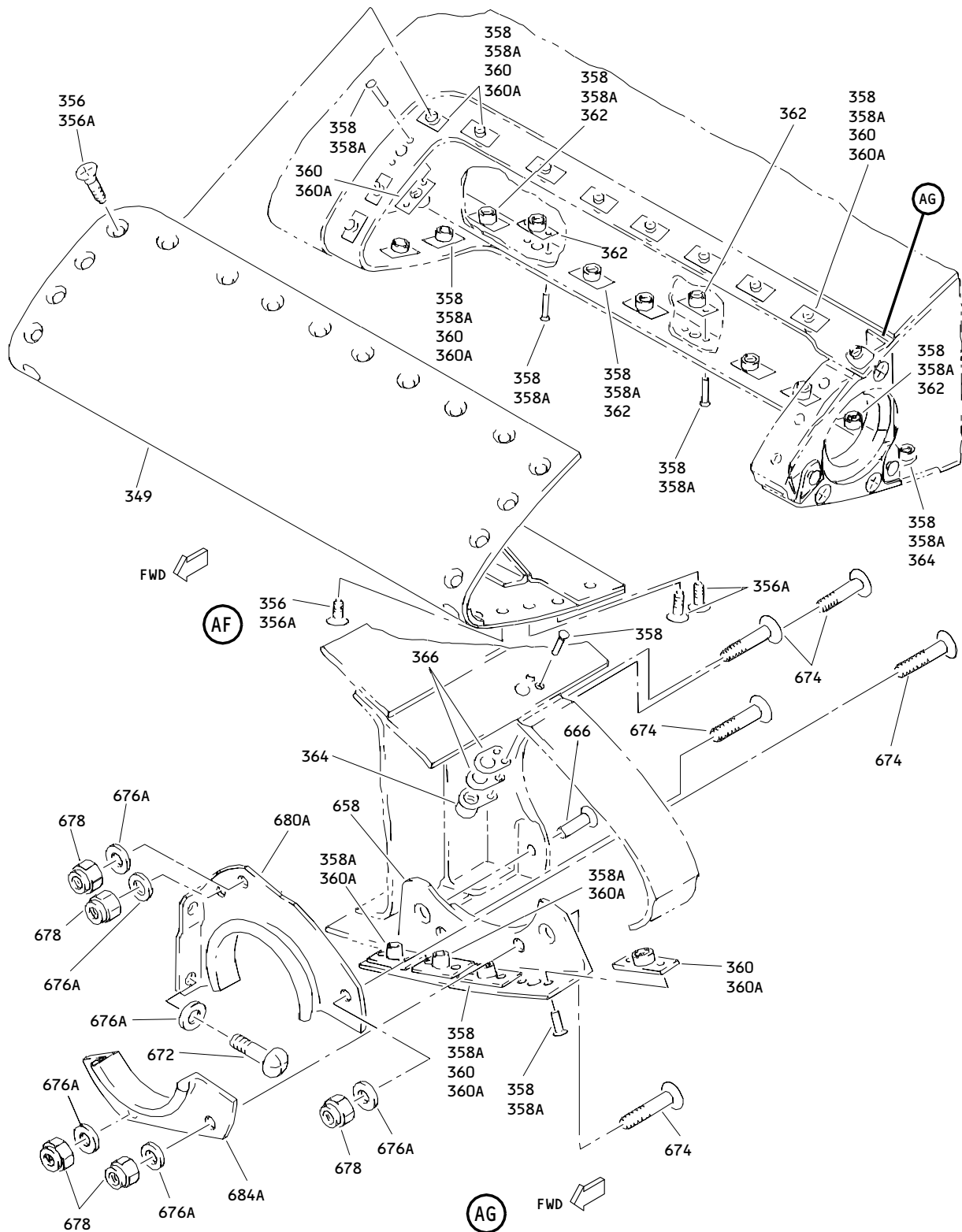




Outboard Slat No. 4 Wing Leading Edge Structure Assembly  
Figure 3 (Sheet 23)

**57-43-55**

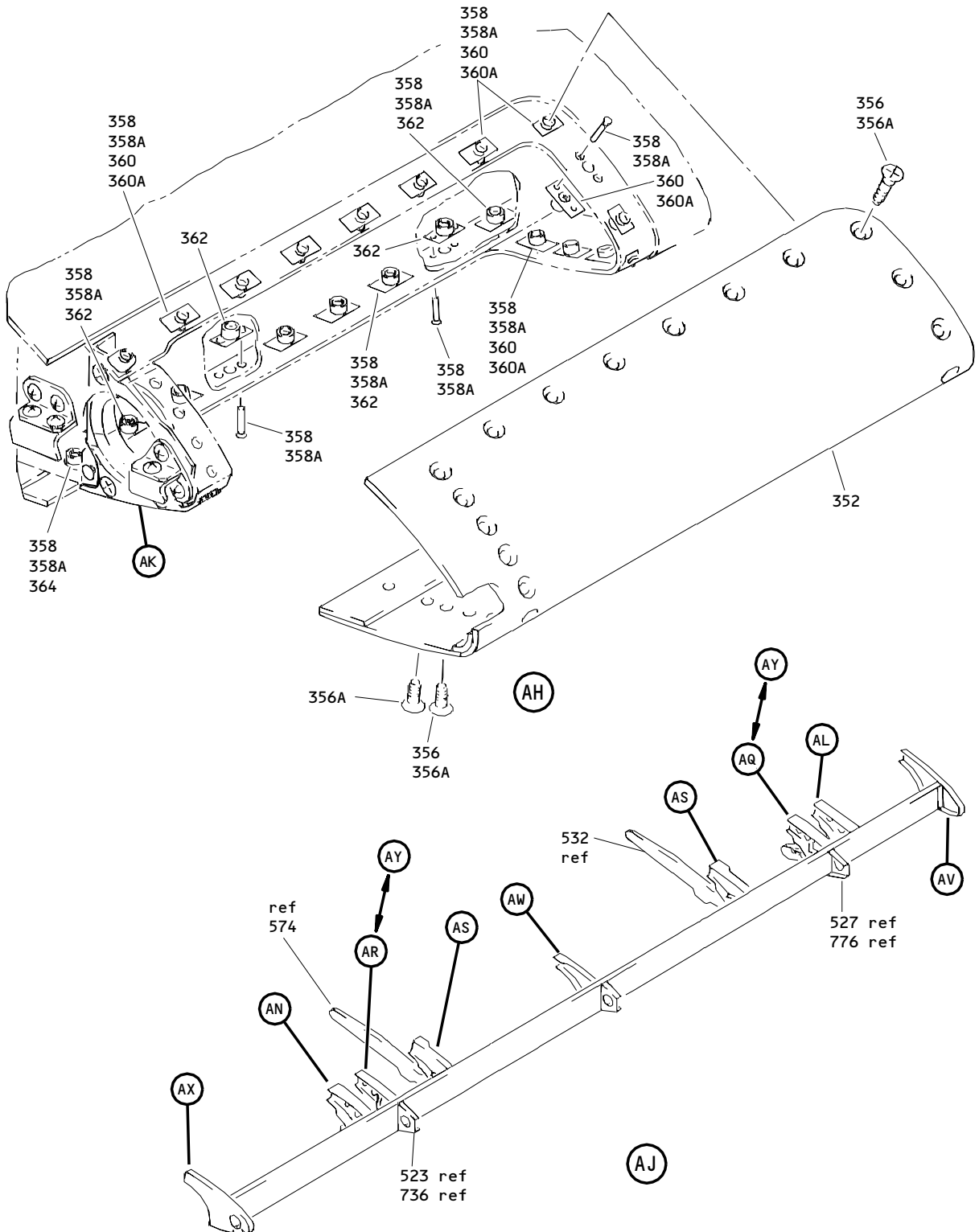
ILLUSTRATED PARTS LIST  
01.1 Page 1050U  
Nov 01/00



Outboard Slat No. 4 Wing Leading Edge Structure Assembly  
 Figure 3 (Sheet 24)

**57-43-55**

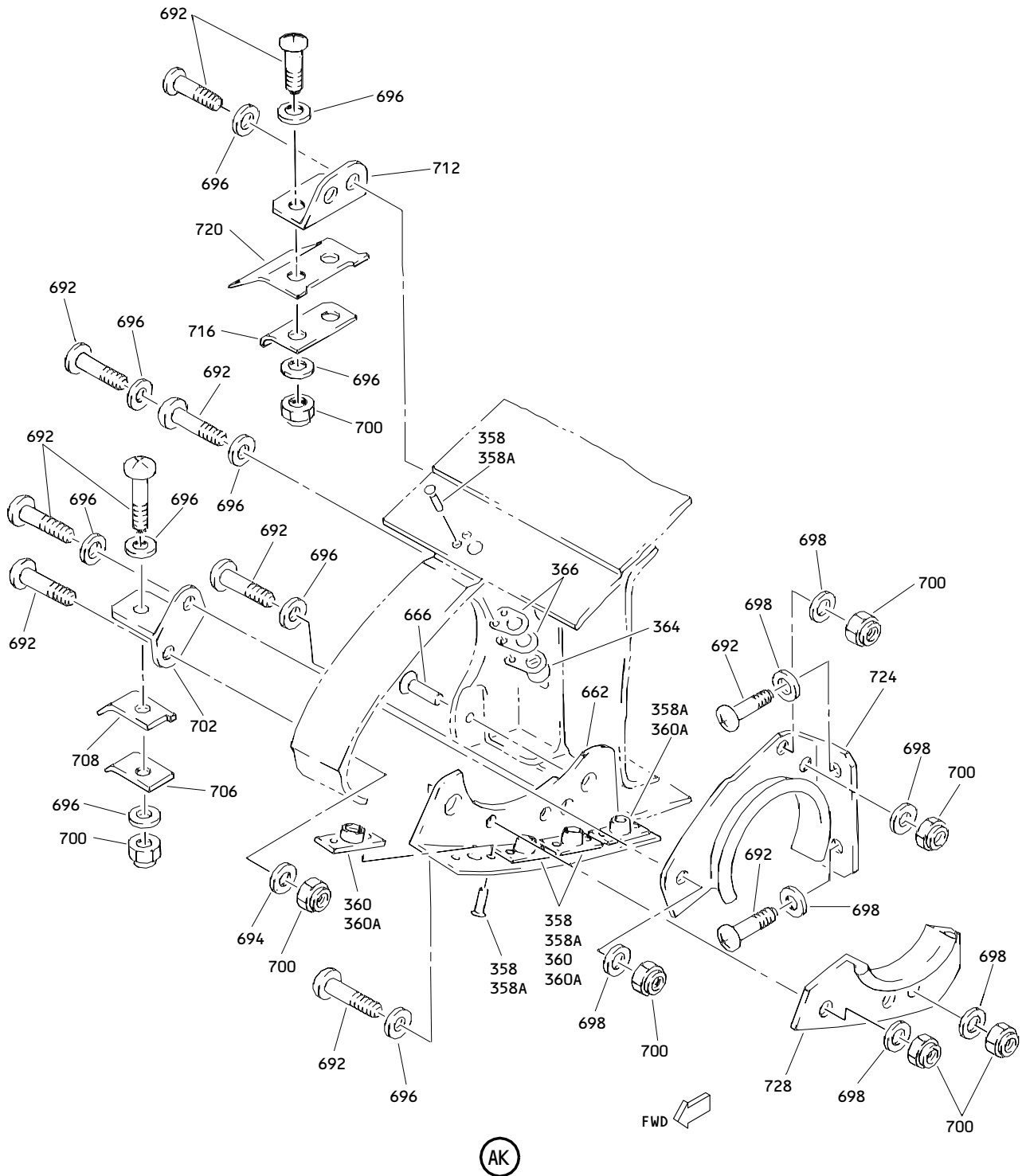
ILLUSTRATED PARTS LIST  
 01.1 Page 1050V  
 Nov 01/00



Outboard Slat No. 4 Wing Leading Edge Structure Assembly  
Figure 3 (Sheet 25)

**57-43-55**

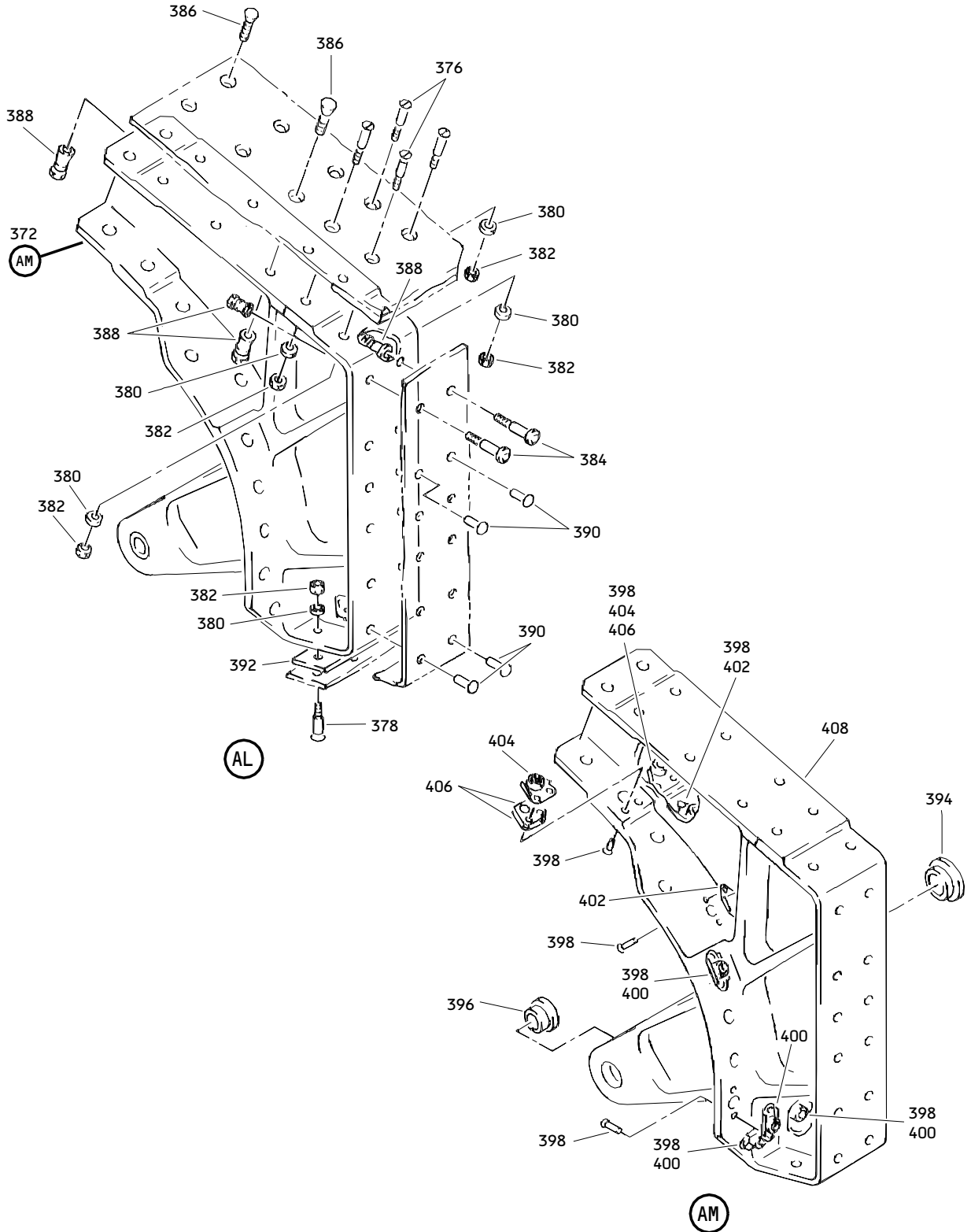
ILLUSTRATED PARTS LIST  
01.101 Page 1050W  
Nov 01/01



Outboard Slat No. 4 Wing Leading Edge Structure Assembly  
 Figure 3 (Sheet 26)

**57-43-55**

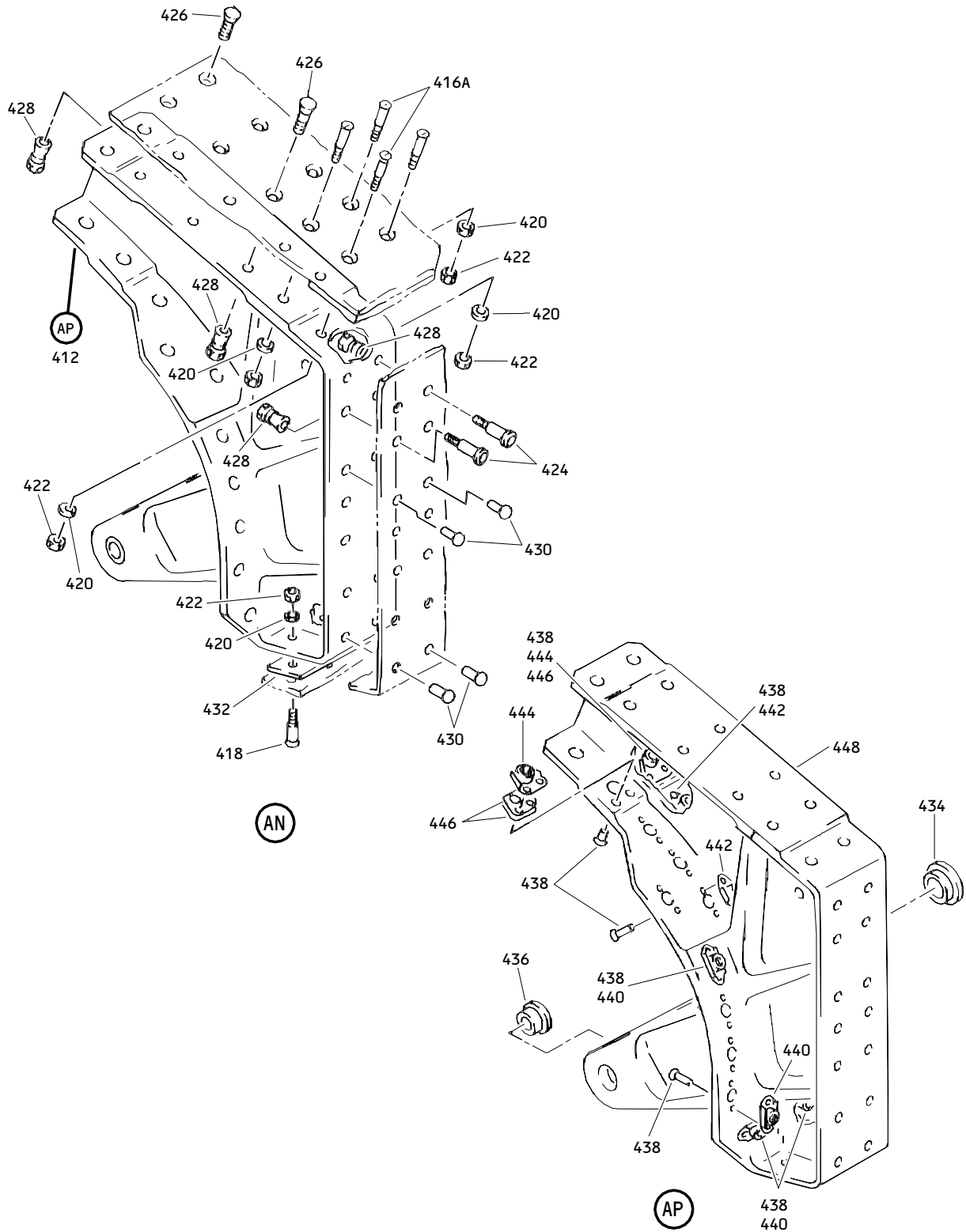
ILLUSTRATED PARTS LIST  
 01.1 Page 1050X  
 Nov 01/00



Outboard Slat No. 4 Wing Leading Edge Structure Assembly  
Figure 3 (Sheet 27)

**57-43-55**

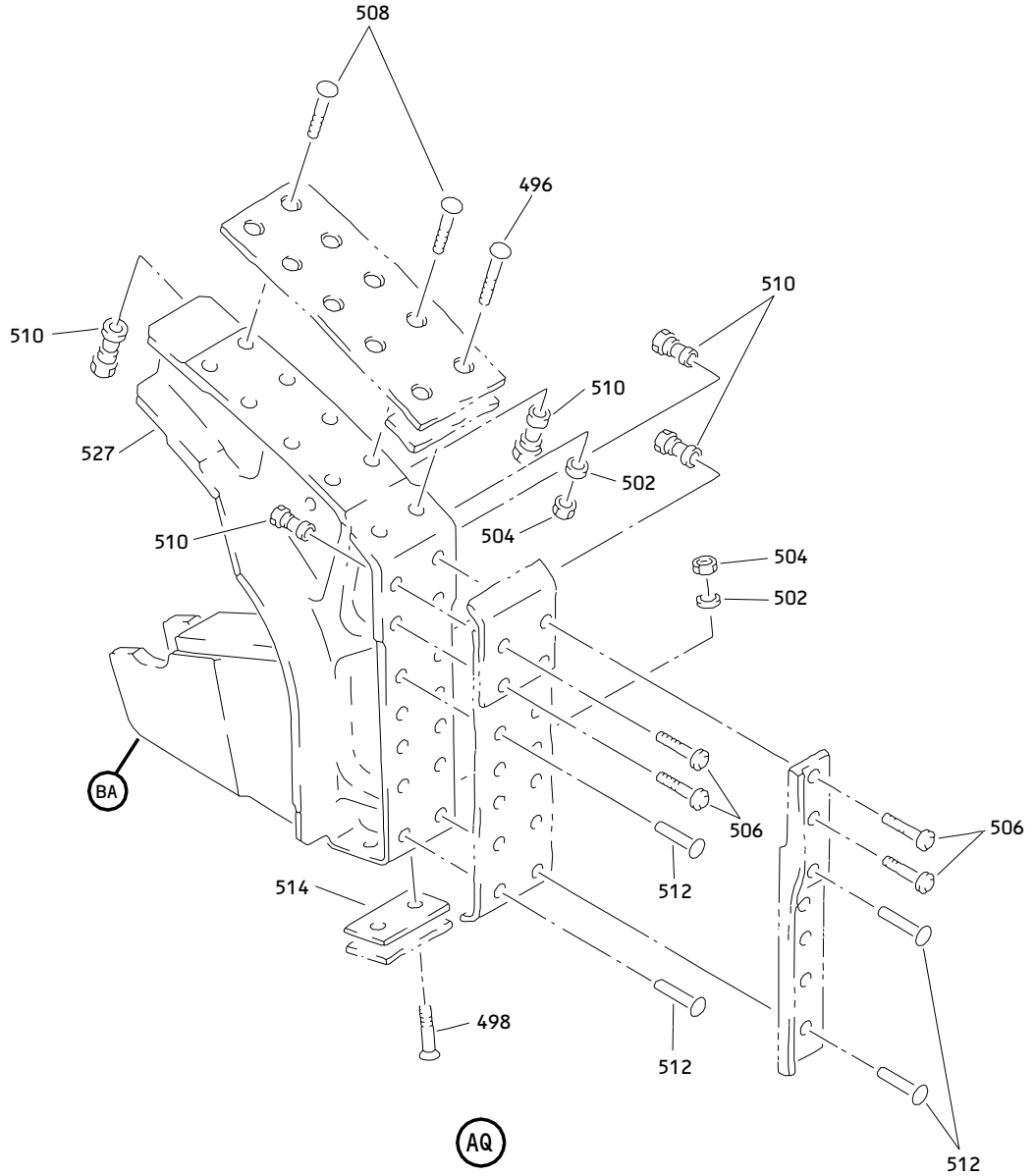
ILLUSTRATED PARTS LIST  
01.1 Page 1050Y  
Nov 01/00



Outboard Slat No. 4 Wing Leading Edge Structure Assembly  
 Figure 3 (Sheet 28)

**57-43-55**

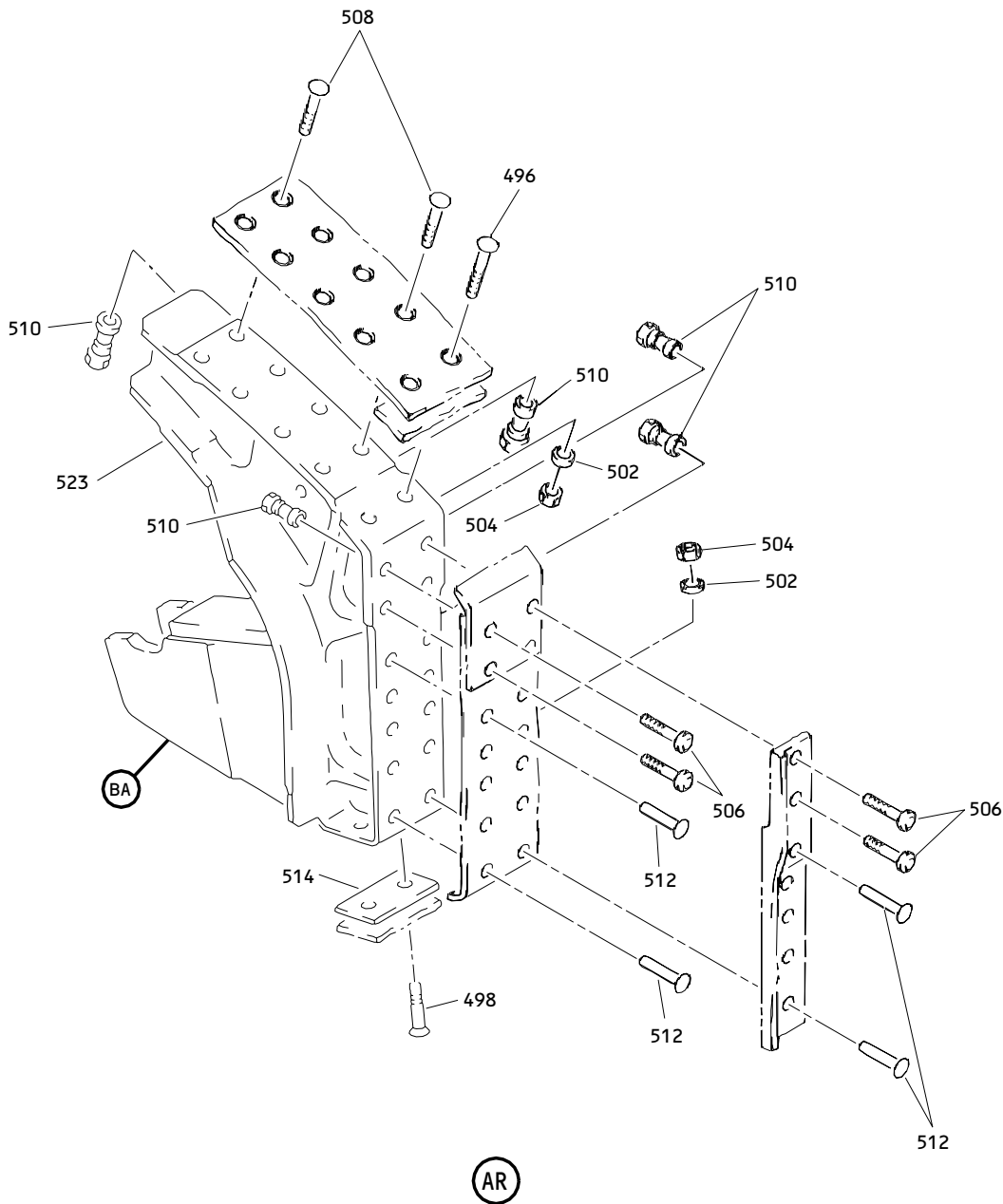
ILLUSTRATED PARTS LIST  
 01.1 Page 1050Z  
 Nov 01/00



Outboard Slat No. 4 Wing Leading Edge Structure Assembly  
Figure 3 (Sheet 29)

**57-43-55**

ILLUSTRATED PARTS LIST  
01.1 Page 1051  
Nov 01/00

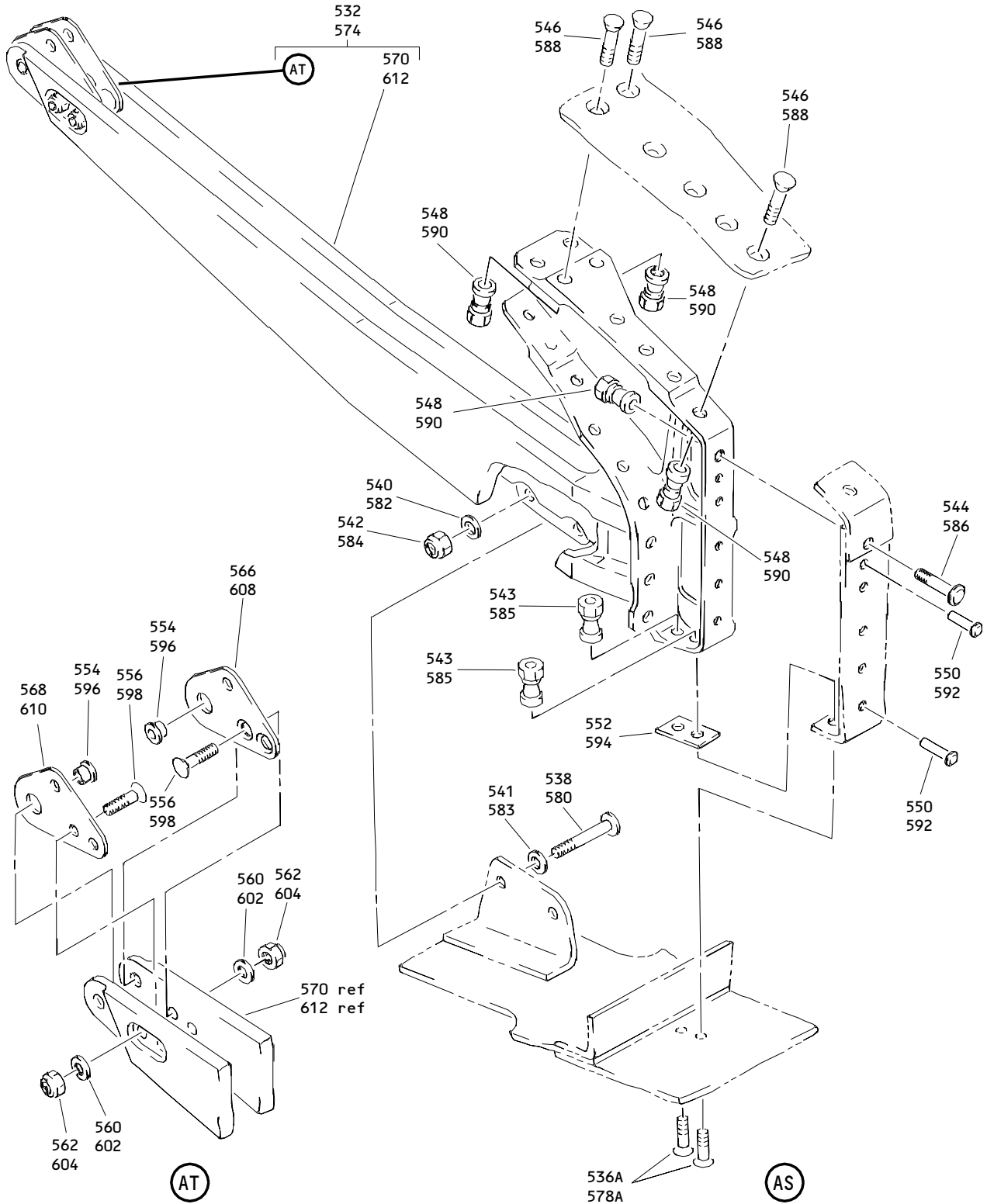


Outboard Slat No. 4 Wing Leading Edge Structure Assembly  
 Figure 3 (Sheet 30)

**57-43-55**

ILLUSTRATED PARTS LIST  
 01.1 Page 1052  
 Nov 01/00

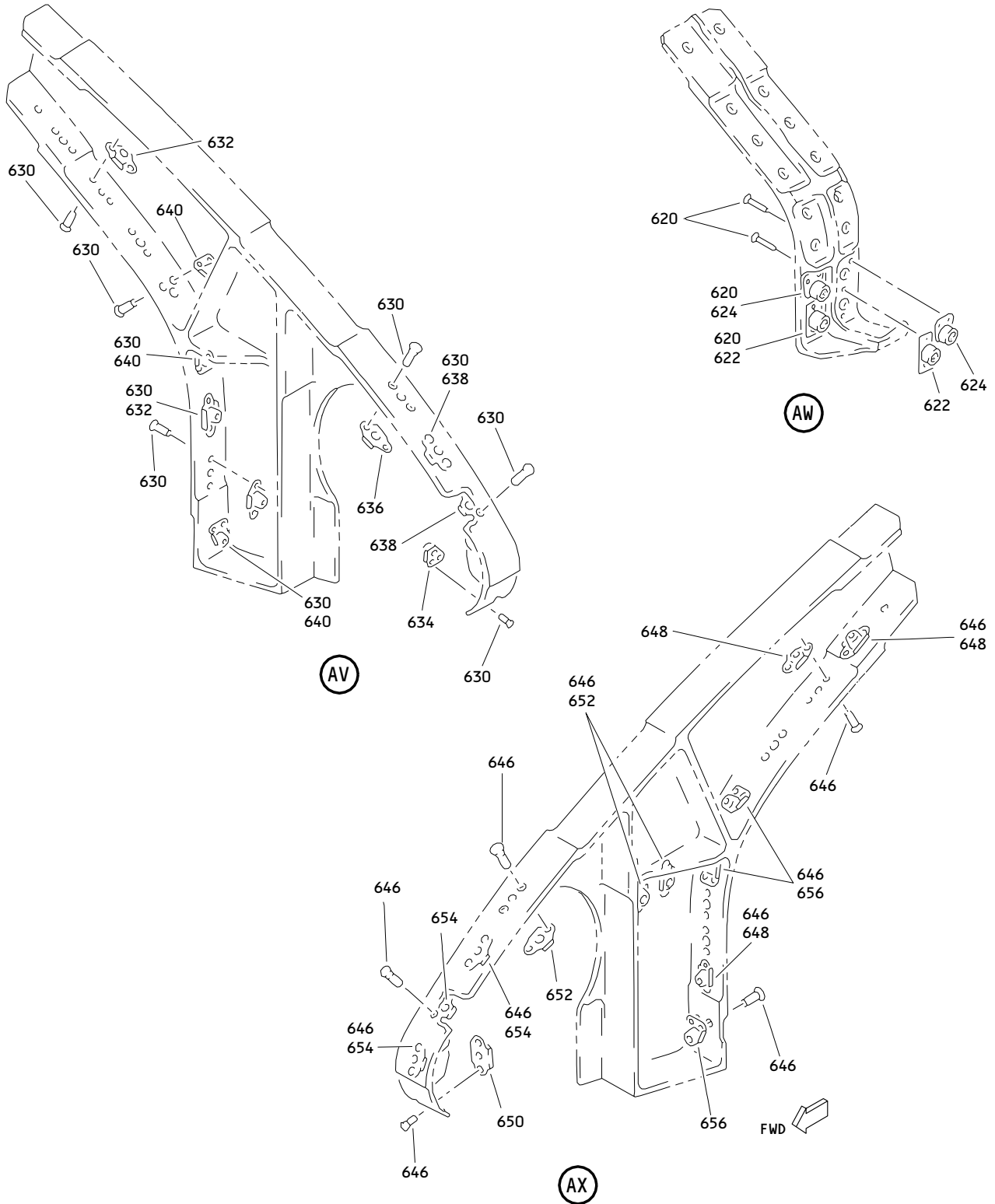




Outboard Slat No. 4 Wing Leading Edge Structure Assembly  
Figure 3 (Sheet 31)

**57-43-55**

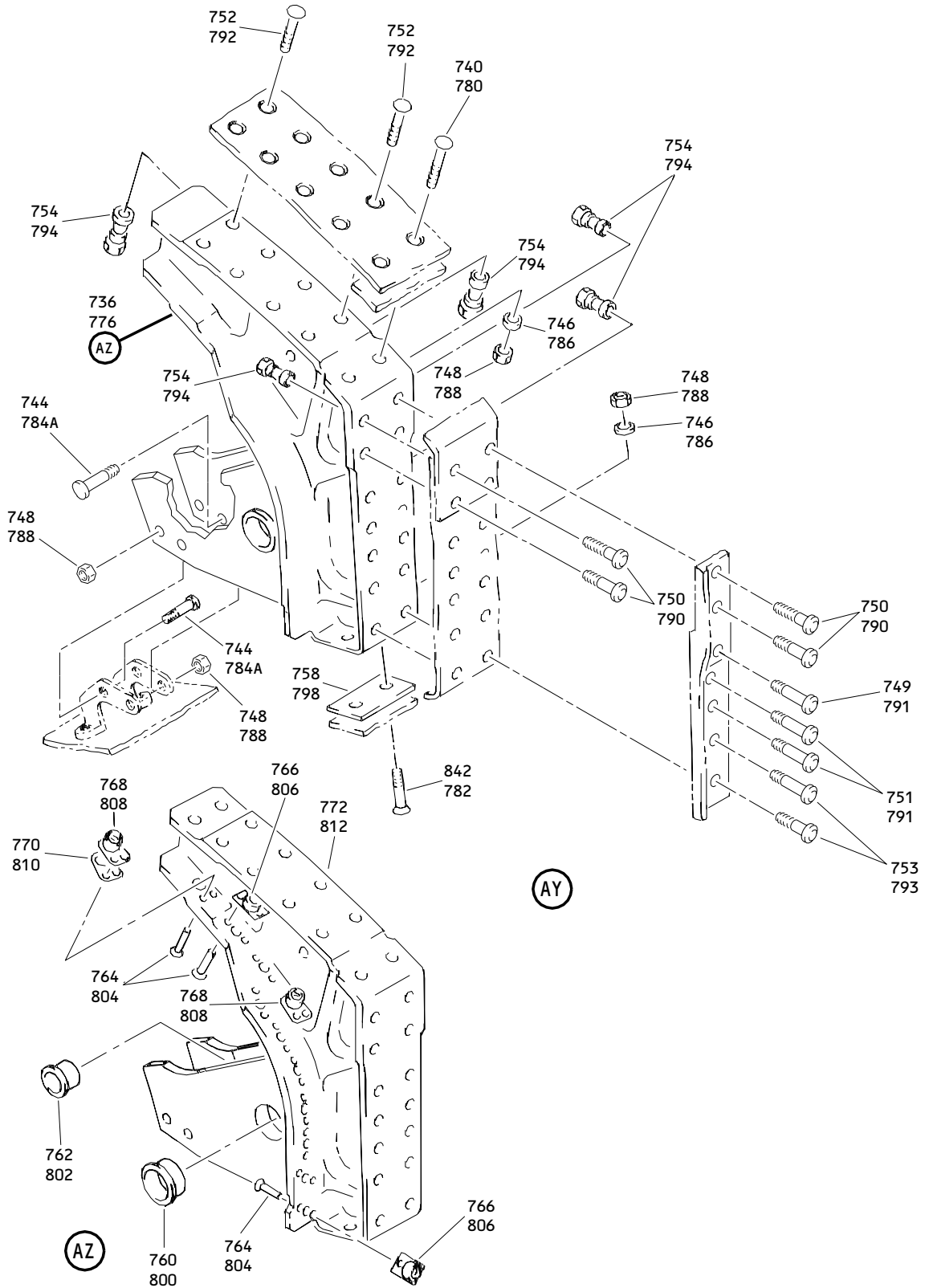
ILLUSTRATED PARTS LIST  
01.1 Page 1052A  
Nov 01/00



Outboard Slat No. 4 Wing Leading Edge Structure Assembly  
 Figure 3 (Sheet 32)

**57-43-55**

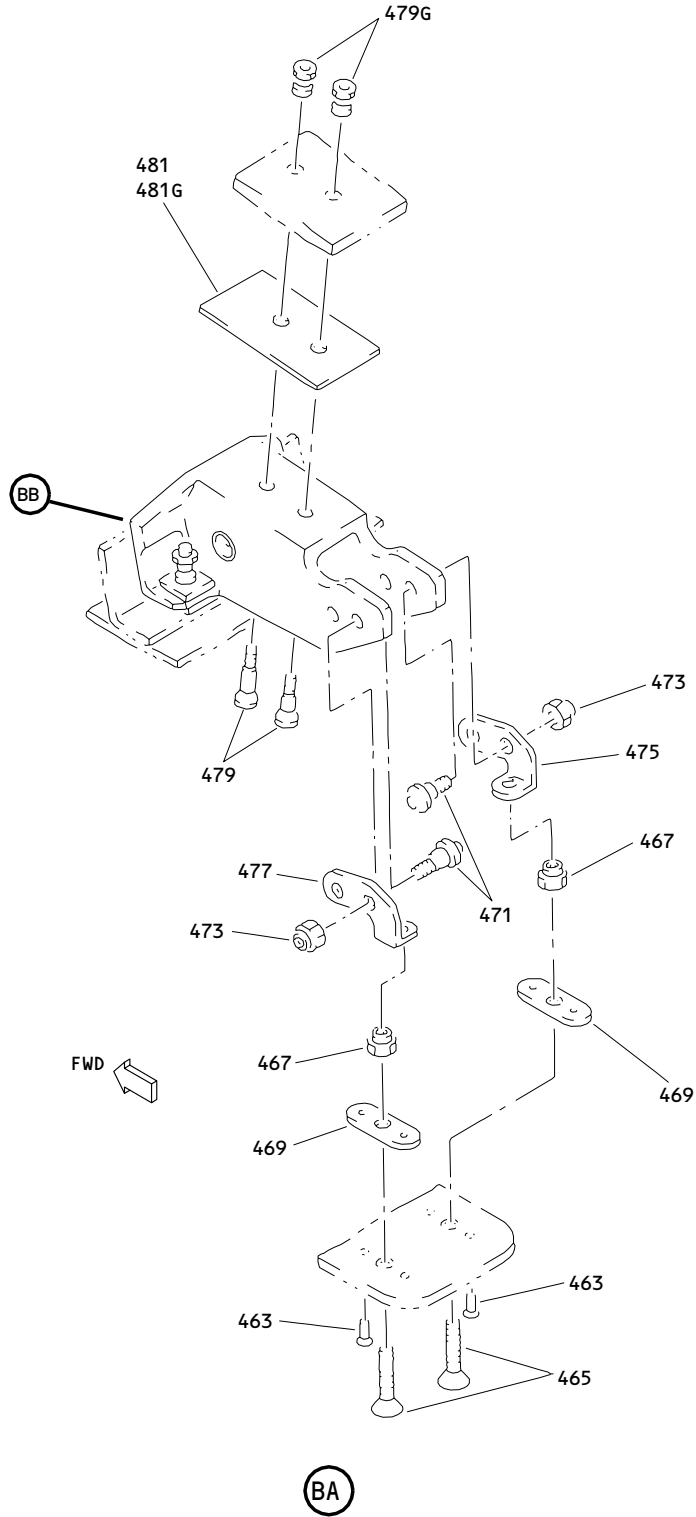
ILLUSTRATED PARTS LIST  
 01.1 Page 1052B  
 Nov 01/00



Outboard Slat No. 4 Wing Leading Edge Structure Assembly  
Figure 3 (Sheet 33)

**57-43-55**

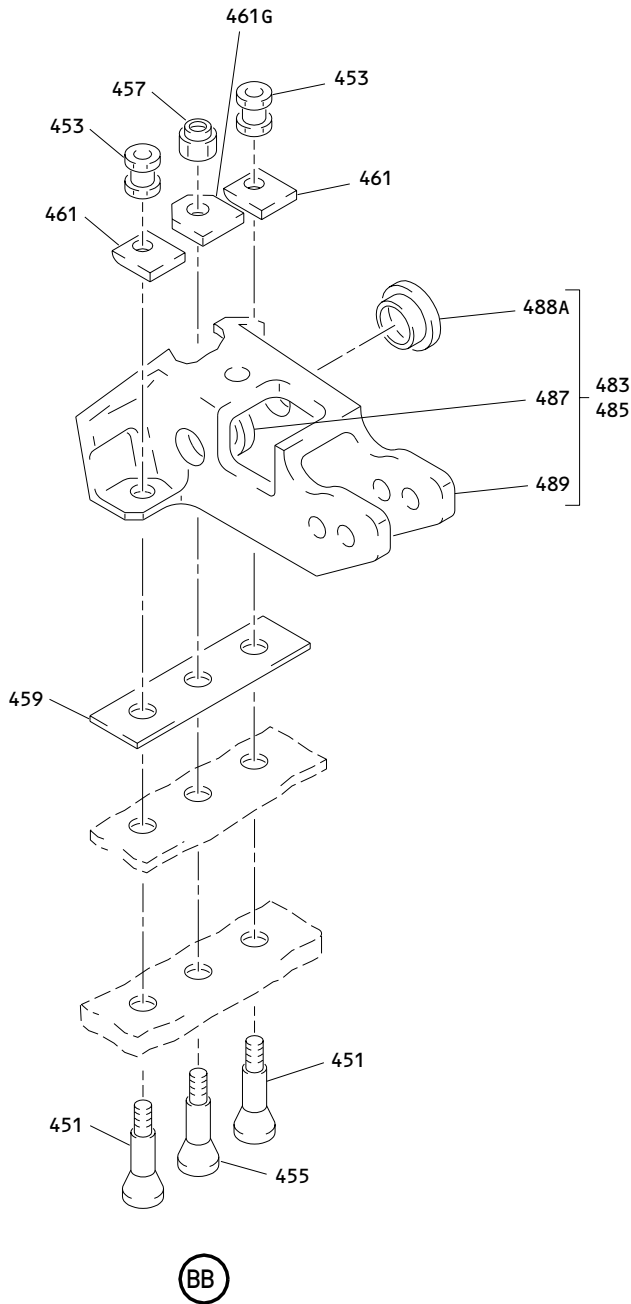
ILLUSTRATED PARTS LIST  
01.1 Page 1052C  
Nov 01/00



Outboard Slat No. 4 Wing Leading Structure Assembly  
 Figure 3 (Sheet 34)

**57-43-55**

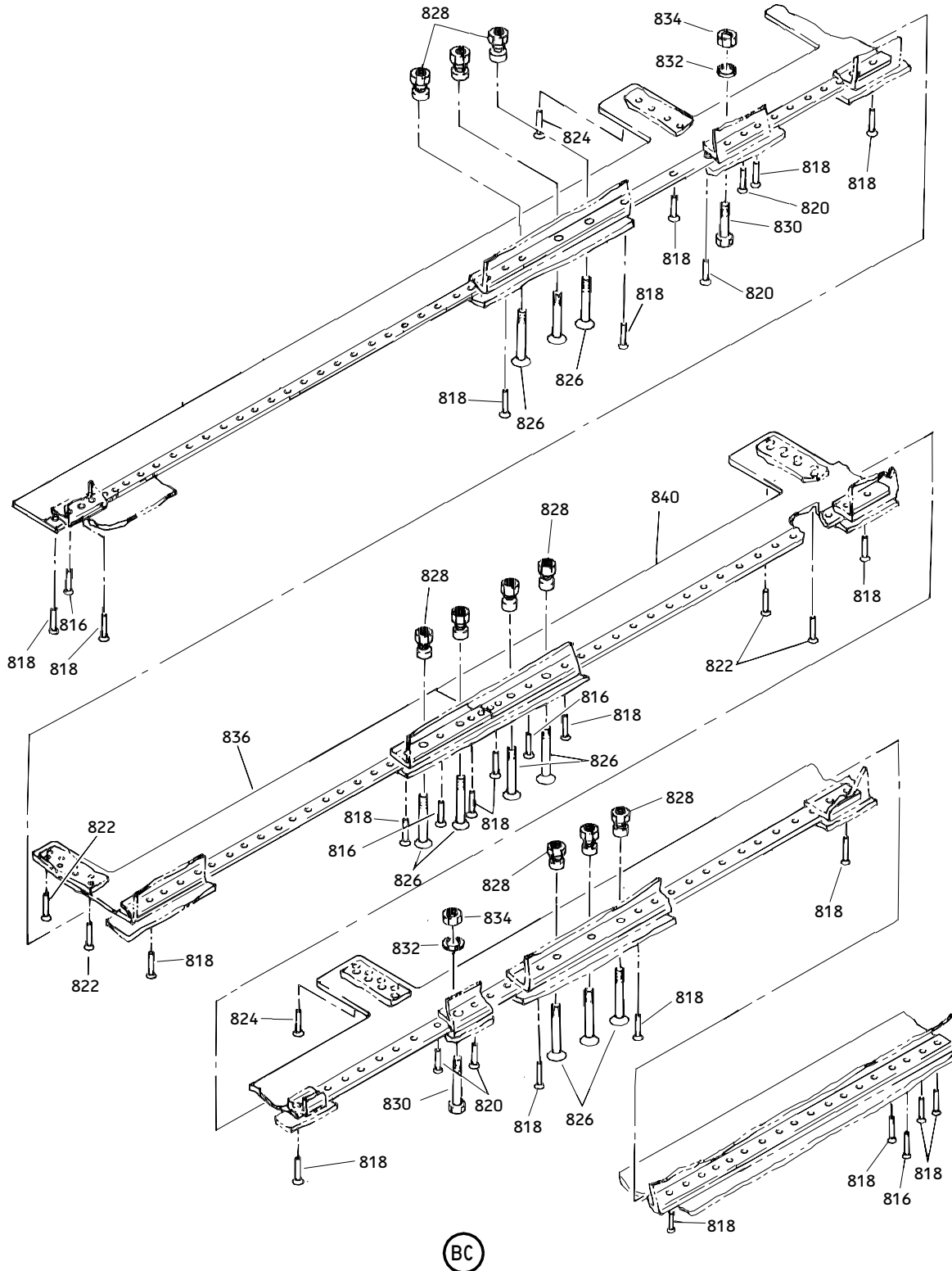
ILLUSTRATED PARTS LIST  
 01.1 Page 1052D  
 Nov 01/00



Outboard Slot No. 4 Wing Leading Edge Structure Assembly  
Figure 3 (Sheet 35)

**57-43-55**

ILLUSTRATED PARTS LIST  
01.1 Page 1052E  
Nov 01/00



(BC)

Outboard Slat No.4 Wing Leading Edge Structure Assembly  
 Figure 3 (Sheet 36)

**57-43-55**

ILLUSTRATED PARTS LIST  
 01.1 Page 1052F  
 Nov 01/00

 **BOEING**  
COMPONENT  
MAINTENANCE MANUAL

FIG. & ITEM	PART NO.	AIRLINE PART NUMBER	NOMENCLATURE 1234567	EFF CODE	QTY PER ASSY
03- -1	114T4104-21SP		STRUCTURE ASSY-OUTBD SLAT NO. 4 WING LE (LH) (REWORK DWG 114T4184-1) (POST SB 757-32-0107) (PRE SB 767-57A0057)	B	RF
-1A	114T4104-23		STRUCTURE ASSY-OUTBD SLAT NO. 9 WING LE (VARIABLE) (LH) (REWORK DWG 114T4184-1) (PRE SB 767-57A0057)	C	RF
-1B	015T1507-407		STRUCTURE ASSY-OUTBD SLAT NO. 4 WING LE (LH) (POST SB 767-57A0057)	AW	RF
-1C	015T1507-409		STRUCTURE ASSY-OUTBD SLAT NO. 4 WING LE (LH) (POST SB 767-57A0057)	AX	RF
-1D	015T1507-411		STRUCTURE ASSY-OUTBD SLAT NO. 4 WING LE (LH) (POST SB 767-57A0057)	AY	RF
-1E	015T1507-449		STRUCTURE ASSY-OUTBD SLAT NO. 4 WING LE (LH) (POST SB 767-57A0057)	AZ	RF
-1F	015T1507-451		STRUCTURE ASSY-OUTBD SLAT NO. 4 WING LE (LH) (POST SB 767-57A0057)	BA	RF
-1G	015T1507-453		STRUCTURE ASSY-OUTBD SLAT NO. 4 WING LE (LH) (POST SB 767-57A0057)	BB	RF
-1H	015T1507-413		STRUCTURE ASSY-OUTBD SLAT NO. 4 WING LE (LH) (POST SB 767-57A0057)	BC	RF
-1J	015T1507-455		STRUCTURE ASSY-OUTBD SLAT NO. 4 WING LE (LH) (POST SB 767-57A0057)	BD	RF
-5	114T4104-22SP		STRUCTURE ASSY-OUTBD SLAT NO. 4 WING LE (RH) (REWORK DWG 114T4184-2) (POST SB 757-32-0107) (PRE SB 767-57A0057)	N	RF

**57-43-55**

ILLUSTRATED PARTS LIST  
01.1 Page 1052G  
Nov 01/00

FIG. & ITEM	PART NO.	AIRLINE PART NUMBER	NOMENCLATURE 1234567	EFF CODE	QTY PER ASSY
03-5A	114T4104-24		STRUCTURE ASSY-OUTBD SLAT NO. 9 WING LE (VARIABLE) (RH) (REWORK DWG 114T4184-2) (PRE SB 767-57A0057)	P	RF
-5B	015T1507-408		STRUCTURE ASSY-OUTBD SLAT NO. 9 WING LE (RH) (POST SB 767-57A0057)	BE	RF
-5C	015T1507-410		STRUCTURE ASSY-OUTBD SLAT NO. 9 WING LE (RH) (POST SB 767-57A0057)	BF	RF
-5D	015T1507-412		STRUCTURE ASSY-OUTBD SLAT NO. 9 WING LE (RH) (POST SB 767-57A0057)	BG	RF
-5F	015T1507-450		STRUCTURE ASSY-OUTBD SLAT NO. 9 WING LE (RH) (POST SB 767-57A0057)	BH	RF
-5G	015T1507-452		STRUCTURE ASSY-OUTBD SLAT NO. 9 WING LE (RH) (POST SB 767-57A0057)	BJ	RF
-5H	015T1507-454		STRUCTURE ASSY-OUTBD SLAT NO. 9 WING LE (RH) (POST SB 767-57A0057)	BK	RF
-5J	015T1507-414		STRUCTURE ASSY-OUTBD SLAT NO. 9 WING LE (RH) (POST SB 767-57A0057)	BL	RF
-5K	015T1507-456		STRUCTURE ASSY-OUTBD SLAT NO. 9 WING LE (RH) (POST SB 767-57A0057)	BM	RF
-7	114T4104-5007		.STRUCTURE ASSY- (REPLD BY ITEM 7A)	B,C,A W-BD	1
-7A	114T4104-5009		.STRUCTURE ASSY- (REPLS ITEM 7)	B,C,A W-BD	1
-8	114T4104-5008		.STRUCTURE ASSY- (REPLD BY ITEM 8A)	N,P,B E-BM	1
-8A	114T4104-5010		.STRUCTURE ASSY- (REPLS ITEM 8)	N,P,B E-BM	1
10	BACB30NT3K7		..BOLT	B,C,N ,P,A W-BM	50
12	AN960PD10L		..WASHER	B,C,N ,P,A W-BM	51

# 57-43-55

 ILLUSTRATED PARTS LIST  
 01.1 Page 1052H  
 Nov 01/00



**BOEING**  
COMPONENT  
MAINTENANCE MANUAL

FIG. & ITEM	PART NO.	AIRLINE PART NUMBER	NOMENCLATURE 1234567	EFF CODE	QTY PER ASSY
03-13	H10-3BAC		..NUT- (V15653) (SPEC BACN10JC3) (OPT NS202101-02 (V80539)) (OPT RMLH9075-3W (V72962)) (OPT T6S1032J (V71087)) (OPT VN303A02 (V92215)) (OPT 96-02 (V80539)) (OPT BRH10A3 (V52828))	B,C,N ,P,A W-BM	1
14	114T4233-19		..RETAINER-SEAL (USED ON ITEM 7)	B,C,A W-BD	1
-16	114T4233-20		..RETAINER-SEAL (USED ON ITEM 8)	N,P,B E-BM	1
18	114T4233-21		..RETAINER-SEAL (USED ON ITEM 7)	B,C,A W-BD	1
-22	114T4233-22		..RETAINER-SEAL (USED ON ITEM 8)	N,P,B E-BM	1
24	114T4233-23		..RETAINER-SEAL (USED ON ITEM 7)	B,C,A W-BD	1
-26	114T4233-24		..RETAINER-SEAL (USED ON ITEM 8)	N,P,B E-BM	1
27	114T4233-32		..RETAINER- (USED ON ITEMS 7A, 8A)	B,C,N ,P,A W-BM	50
28	114T4232-19		..SEAL- (MFD FROM EXTR RUBBER F25.01 10-60754-319 46.50 IN.)	B,C,A W-BD	1
-30	114T4232-20		..SEAL- (MFD FROM EXTR RUBBER F25.01 10-60754-319 46.50 IN.)	N,P,B E-BM	1
32	114T4232-21		..SEAL- (MFD FROM EXTR RUBBER F25.01 10-60754-319 58.40 IN.)	B,C,A W-BD	1

57-43-55

FIG. & ITEM	PART NO.	AIRLINE PART NUMBER	NOMENCLATURE 1234567	EFF CODE	QTY PER ASSY
03-34	114T4232-22		..SEAL- (MFD FROM EXTR RUBBER F25.01 10-60754-319 58.40 IN.)	N,P,B E-BM	1
36	114T4232-23		..SEAL-BULB (MFD FROM EXTR RUBBER F25.01 10-60754-319 46.50 IN.)	B,C,A W-BD	1
-38	114T4232-24		..SEAL-BULB (MFD FROM EXTR RUBBER F25.01 10-60754-319 46.50 IN.)	N,P,B E-BM	1
40 40A	BACF009E179NN BACF3F009E179NN		DELETED ..FILLER	B,C,N P,A W-BM	2
42 42A	BACF009E199NN BACF3F009E199NN		DELETED ..FILLER	B,C,N P,A W-BM	1
44	BACF3F009E080NN		..FILLER	B,C,N P,A W-BM	2
46	BACR15BA3AD		..RIVET- (SIZE DETERMINE ON INST)	B,C,N P,A W-BM	100
48	NS103225-02		..NUTPLATE- (V80539) (SPEC BACN10KH3) (OPT RMF9209M3 (V72962)) (OPT RMF9209M3 (V72962))	B,C,N P,A W-BM	2

# 57-43-55

 ILLUSTRATED PARTS LIST  
 01.1 Page 1052J  
 Nov 01/00

 **BOEING**  
COMPONENT  
MAINTENANCE MANUAL

FIG. & ITEM	PART NO.	AIRLINE PART NUMBER	NOMENCLATURE 1234567	EFF CODE	QTY PER ASSY
03-50	BACN10JQ32		..NUTPLATE	B,C,N P,A W-BM	47
52	BACB30NT3K3		..BOLT	B,C,N P,A W-BM	1
54	AN960PD10L		..WASHER	B,C,N P,A W-BM	2
56	H10-3BAC		..NUT- (V15653) (SPEC BACN10JC3) (OPT NS202101-02 (V80539)) (OPT RMLH9075-3W (V72962)) (OPT T6S1032J (V71087)) (OPT VN303A02 (V92215)) (OPT 96-02 (V80539)) (OPT BRH10A3 (V52828))	B,C,N P,A W-BM	1
58	114T4233-31		..RETAINER-BULB SEAL	B,C,N P,A W-BM	1
60	114T4234-11		..SEAL-BULB (MFD FROM EXTR RUBBER F25.01 10-60754-15 1.50 IN.)	B,C,A W-BD	1

**57-43-55**

ILLUSTRATED PARTS LIST  
01.1 Page 1052K  
Nov 01/00

FIG. & ITEM	PART NO.	AIRLINE PART NUMBER	NOMENCLATURE 1234567	EFF CODE	QTY PER ASSY
03- -61	114T4234-12		..SEAL-BULB (MFD FROM EXTR RUBBER F25.01 10-60754-15 1.50 IN.)	N,P,B E-BM	1
62	BACB30NT3K4		..BOLT	B,C,N ,P,A W-BM	5
64	BACB30NN3K4		..BOLT	B,C,N ,P,A W-BM	1
66	AN960PD10L		..WASHER	B,C,N ,P,A W-BM	11
68	H10-3BAC		..NUT- (V15653) (SPEC BACN10JC3) (OPT NS202101-02 (V80539)) (OPT RMLH9075-3W (V72962)) (OPT T6S1032J (V71087)) (OPT VN303A02 (V92215)) (OPT 96-02 (V80539)) (OPT BRH10A3 (V52828))	B,C,N ,P,A W-BM	5
70	BRH10-3		DELETED		
72	114T4235-4		..RETAINER-SEAL	B,C,N ,P,A W-BM	1
74	114T4234-9		..SEAL-BULB (MFD FROM EXTR RUBBER F25.01 10-60754-15 11.20 IN.)	B,C,A W-BD	1
-76	114T4234-10		..SEAL-BULB (MFD FROM EXTR RUBBER F25.01 10-60754-15 11.20 IN.)	N,P,B E-BM	1
78	114T4224-4		..SEAL-BULB	B,C,N ,P,A W-BM	1

# 57-43-55

 ILLUSTRATED PARTS LIST  
 01.1 Page 1052L  
 Nov 01/00

 **BOEING**  
COMPONENT  
MAINTENANCE MANUAL

FIG. & ITEM	PART NO.	AIRLINE PART NUMBER	NOMENCLATURE 1234567	EFF CODE	QTY PER ASSY
03-80	114T4236-4		..SEAL-SPONGE (MFD FROM SH SPONGE RUBBER BMS1-23 0.73 IN 3.10 IN.)	B,C,N ,P,A W-BM	1
82	114T4224-5		..SEAL-BULB	B,C,N ,P,A W-BM	1
84	114T4236-5		..SEAL-SPONGE (MFD FROM SH SPONGE RUBBER BMS1-23 0.70 IN 3.50 IN.)	B,C,N ,P,A W-BM	1
86	BACR15CE5KE		..RIVET- (SIZE DETERMINE ON INST) (OPT ITEM 86A)	B,C,N ,P,A W-BM	17
-86A	BACR15CE5AD		..RIVET- (SIZE DETERMINE ON INST) (OPT ITEM 86)	B,C,N ,P,A W-BM	17
88	BACB30NU3K4		..BOLT	B,C,N ,P,A W-BM	2
90	114T4225-7		..RETAINER	B,C,N ,P,A W-BM	1
92	114T4225-8		..RETAINER	B,C,N ,P,A W-BM	1
94	BACR15BA3AD		..RIVET- (SIZE DETERMINE ON INST)	B,C,N ,P,A W-BM	4
96	BACN10JQ32		..NUTPLATE	B,C,N ,P,A W-BM	2
98	114T4226-2		..SEAL	B,C,N ,P,A W-BM	2
100	114T4242-13		..RETAINER	B,C,A W-BD	1
-102	114T4242-14		..RETAINER	N,P,B E-BM	1
104	114T4242-15		..RETAINER	B,C,A W-BD	1
-106	114T4242-16		..RETAINER	N,P,B E-BM	1

57-43-55

ILLUSTRATED PARTS LIST  
01.1 Page 1052M  
Nov 01/00

FIG. & ITEM	PART NO.	AIRLINE PART NUMBER	NOMENCLATURE 1234567	EFF CODE	QTY PER ASSY
03-108	BACB30NN3K6		..BOLT	B,C,N P,A W-BM	2
110	AN960PD10L		..WASHER	B,C,N P,A W-BM	2
112	H10-3BAC		..NUT- (V15653) (SPEC BACN10JC3) (OPT NS202101-02 (V80539)) (OPT RMLH9075-3W (V72962)) (OPT T6S1032J (V71087)) (OPT VN303A02 (V92215)) (OPT 96-02 (V80539)) (OPT BRH10A3 (V52828))	B,C,N P,A W-BM	2
114	114T4235-8		..RETAINER	B,C,N P,A W-BM	1
116	114T4237-11		..SEAL	B,C,A W-BD	1
-118	114T4237-12		..SEAL	N,P,B E-BM	1
120	BACB30NN3K5		..BOLT	B,C,N P,A W-BM	2

# 57-43-55

 ILLUSTRATED PARTS LIST  
 01.1 Page 1052N  
 Nov 01/00

 **BOEING**  
COMPONENT  
MAINTENANCE MANUAL

FIG. & ITEM	PART NO.	AIRLINE PART NUMBER	NOMENCLATURE 1234567	EFF CODE	QTY PER ASSY
03- 122	BACB30NN3K4		..BOLT	B,C,N P,A W-BM	13
124	AN960PD10L		DELETED		
126	H10-3BAC		DELETED		
128	BACR15BA3AD		..RIVET- (SIZE DETERMINE ON INST)	B,C,N P,A W-BM	4
130	BRFM20A3		..NUTPLATE- (V52828) (SPEC BACN10JN3) (OPT MF1000-3BAC (V15653)) (OPT NS103218-02 (V80539)) (OPT RMF9201M3 (V72962)) (OPT VN252A02 (V92215)) (OPT MF1000-3BAC (V15653)) (OPT MF53049-3 (V15653))	B,C,N P,A W-BM	2
132	114T4231-4		DELETED		
132A	114T4231-48		..RETAINER	B,C,N P,A W-BM	1
134	114T4231-8		DELETED		
134A	114T4231-52		..RETAINER	B,C,N P,A W-BM	1
136	114T4231-12		DELETED		
136A	114T4231-56		..RETAINER	B,C,N P,A W-BM	1

57-43-55

FIG. & ITEM	PART NO.	AIRLINE PART NUMBER	NOMENCLATURE 1234567	EFF CODE	QTY PER ASSY
03-138	114T4231-15		..RETAINER	B,C,N P,A W-BM	1
140	114T4230-4		..SEAL- (MFD FROM SH RUBBER BMS1-50 TYPE II GRADE 60 F25.01 0.094 IN. 1.25 IN. 7.60 IN.)	B,C,N P,A W-BM	1
142	114T4230-7		..SEAL- (MFD FROM SH RUBBER BMS1-50 TYPE II GRADE 60 F25.01 0.094 IN. 1.25 IN. 7.90 IN.)	B,C,N P,A W-BM	1
144	114T4230-12		..SEAL- (MFD FROM SH RUBBER BMS1-50 TYPE II GRADE 60 F25.01 0.094 IN. 1.25 IN. 5.40 IN.)	B,C,N P,A W-BM	1
146	114T4230-15		..SEAL- (MFD FROM SH RUBBER BMS1-50 TYPE II GRADE 60 F25.01 0.094 IN. 1.25 IN. 1.70 IN.)	B,C,N P,A W-BM	1
147	BACB30NU3K4		..BOLT	B,C,N P,A W-BM	12
148	BACB30NT3K5		..BOLT	B,C,N P,A W-BM	1
149	BACB30NT3K3		..BOLT	B,C,N P,A W-BM	20
150	BACR15BA3AD		DELETED		
151	BACR15CE5KE		..RIVET- (SIZE DETERMINE ON INST)	B,C,N P,A W-BM	1

# 57-43-55

 ILLUSTRATED PARTS LIST  
 01.1 Page 1052P  
 Nov 01/00



 **BOEING**  
COMPONENT  
MAINTENANCE MANUAL

FIG. & ITEM	PART NO.	AIRLINE PART NUMBER	NOMENCLATURE 1234567	EFF CODE	QTY PER ASSY
03-151G	BACR15FT5AD		..RIVET- (SIZE DETERMINE ON INST)	B,C,N ,P,A W-BM	9
152	114T4264-1		..PANEL-COVE	B,C,A W-BD	1
-154	114T4264-2		..PANEL-COVE	N,P,B E-BM	1
156	BACR15CE5KE		DELETED		
158	BACR15FT5AD		DELETED		
159	BACR15BA3AD		..RIVET- (SIZE DETERMINE ON INST)	B,C,N ,P,A W-BM	50
160	BACN10JQ32		..NUTPLATE	B,C,N ,P,A W-BM	25
162	BACB30NN3K6		..BOLT	B,C,N ,P,A W-BM	19
163	BACB30NT3K7		..BOLT- (USED ON ITEMS 7A, 8A)	B,C,N ,P,A W-BM	6
164	BACB30NT3K7		..BOLT	B,C,N ,P,A W-BM	72
165	BACB30NM3K10		..BOLT- (REWORK DWG 114T4184-1, 114T4184-2) (USED ON ITEMS 7, 8)	B,C,N ,P,A W-BM	4
166	BACR15BA3AD		DELETED		
166A	AN960KD10L		..WASHER- (REWORK DWG 114T4184-1, 114T4184-2) (USED ON ITEMS 7, 8)	B,C,N ,P,A W-BM	4
167	BACB30NN3K9		..BOLT- (REWORK DWG 114T4184-1, 114T4184-2) (USED ON ITEMS 7, 8)	B,C,N ,P,A W-BM	2

57-43-55

ILLUSTRATED PARTS LIST  
01.1 Page 1052Q  
Nov 01/00

FIG. & ITEM	PART NO.	AIRLINE PART NUMBER	NOMENCLATURE 1234567	EFF CODE	QTY PER ASSY
03-168	114T4264-3		..PANEL-COVE (USED ON ITEM 7)	B,C,A W-BD	1
-168A	114T4264-25		..PANEL-COVE (USED ON ITEM 7A)	B,C,A W-BD	1
-170	114T4264-4		..PANEL-COVE (USED ON ITEM 8)	N,P,B E-BM	1
-170A	114T4264-26		..PANEL-COVE (USED ON ITEM 8A)	N,P,B E-BM	1
174	114T4110-57		..STIFFENER	B,C,N ,P,A W-BM	1
175	BACR15BA3AD		..RIVET- (SIZE DETERMINE ON INST)	B,C,N ,P,A W-BM	8
176	114T4110-59		..STIFFENER	B,C,A W-BD	1
-178	114T4110-60		..STIFFENER	N,P,B E-BM	1
179	BACR15BA3AD		..RIVET- (SIZE DETERMINE ON INST)	B,C,N ,P,A W-BM	114
180	NS103225-02		..NUTPLATE- (V80539) (SPEC BACN10KH3) (OPT RMF9209M3 (V72962)) (OPT RMF9209M3 (V72962))	B,C,N ,P,A W-BM	4
181	NAS1195DD3KH		..SHIM	B,C,N ,P,A W-BM	2

# 57-43-55

 ILLUSTRATED PARTS LIST  
 01.1 Page 1052R  
 Nov 01/00

 **BOEING**  
COMPONENT  
MAINTENANCE MANUAL

FIG. & ITEM	PART NO.	AIRLINE PART NUMBER	NOMENCLATURE 1234567	EFF CODE	QTY PER ASSY
03-182	BACN10JQ34		..NUTPLATE	B,C,N P,A W-BM	17
184	BACN10JQ35		..NUTPLATE	B,C,N P,A W-BM	26
186	BACN10JQ36		..NUTPLATE	B,C,N P,A W-BM	10
188	NAS1195DD3KH		DELETED		
190	BACB30NU3K5		..BOLT	B,C,N P,A W-BM	2
192	BACB30NT3K5		..BOLT	B,C,N P,A W-BM	2
194	AN960PD10		..WASHER	B,C,N P,A W-BM	4
196	H10-3BAC		..NUT- (V15653) (SPEC BACN10JC3) (OPT NS202101-02 (V80539)) (OPT RMLH9075-3W (V72962)) (OPT T6S1032J (V71087)) (OPT VN303A02 (V92215)) (OPT 96-02 (V80539)) (OPT BRH10A3 (V52828))	B,C,N P,A W-BM	4

57-43-55

ILLUSTRATED PARTS LIST  
01.1 Page 1052S  
Nov 01/00

FIG. & ITEM	PART NO.	AIRLINE PART NUMBER	NOMENCLATURE 1234567	EFF CODE	QTY PER ASSY
03-197	BACR15CE5KE		..RIVET- (SIZE DETERMINE ON INST)	B,C,N ,P,A W-BM	6
197G	BACR15FT5AD		..RIVET- (SIZE DETERMINE ON INST)	B,C,N ,P,A W-BM	42
198	114T4264-21		..PANEL-COVER	B,C,A W-BD	1
-200	114T4264-22		..PANEL-COVER	N,P,B E-BM	1
202	114T4110-61		..STIFFENER	B,C,N ,P,A W-BM	1
204	BACR15CE5KE		DELETED		
206	BACR15FT5AD		DELETED		
208	BACB30NN3K6		BOLT	B,C,N ,P,A W-BM	5
208A	BACB30NW3K6		DELETED		
210	BACB30NT3K7		..BOLT	B,C,N ,P,A W-BM	20
212	BACR15BA3AD		DELETED		
214	114T4264-7		..PANEL-COVE	B,C,A W-BD	1
-216	114T4264-8		..PANEL-COVE	N,P,B E-BM	1
218	114T4110-63		..STIFFENER	B,C,N ,P,A W-BM	1
219	BACR15BA3AD		..RIVET- (SIZE DETERMINE ON INST)	B,C,N ,P,A W-BM	50
220	BACN10JQ36		..NUTPLATE	B,C,N ,P,A W-BM	6

# 57-43-55

 ILLUSTRATED PARTS LIST  
 01.1 Page 1052T  
 Nov 01/00

**BOEING**  
COMPONENT  
MAINTENANCE MANUAL

FIG. & ITEM	PART NO.	AIRLINE PART NUMBER	NOMENCLATURE 1234567	EFF CODE	QTY PER ASSY
03- 222	BACN10JQ35		..NUTPLATE	B,C,N P,A W-BM	14
224	BACN10JQ35		DELETED		
224A	BACN10JQ34		..NUTPLATE	B,C,N P,A W-BM	4
226	BACN10JQ33		..NUTPLATE	B,C,N P,A W-BM	1
228	BACB30NT3K5		..BOLT	B,C,N P,A W-BM	4
230	BACB30NN3K6		..BOLT	B,C,N P,A W-BM	2
231	114T4302-1		DELETED		
231A	114T4302-3		DELETED		
231B	114T4302-4		..FITTING-ALIGN.	B,C,N P,A W-BM	1
232	BACR15BA3AD		DELETED		
233	BACR15CE5KE		..RIVET- (SIZE DETERMINE ON INST)	B,C,N P,A W-BM	14
233G	BACR15FT5AD		..RIVET- (SIZE DETERMINE ON INST)	B,C,N P,A W-BM	48
234	114T4264-9		..PANEL-COVE	B,C,A W-BD	1
-236	114T4264-10		..PANEL-COVE	N,P,B E-BM	1
238	114T4110-65		..STIFFENER	B,C,N P,A W-BM	1
239	BACR15BA3AD		..RIVET- (SIZE DETERMINE ON INST)	B,C,N P,A W-BM	4
240	BACR15CE5KE		DELETED		
242	BACR15FT5AD		DELETED		

57-43-55

ILLUSTRATED PARTS LIST  
01.1 Page 1052U  
Nov 01/00

FIG. & ITEM	PART NO.	AIRLINE PART NUMBER	NOMENCLATURE 1234567	EFF CODE	QTY PER ASSY
03- 244 245	NAS1195DD3KH NS103225-02		DELETED ..NUTPLATE- (V80539) (SPEC BACN10KH3) (OPT RMF9209M3 (V72962)) (OPT RMF9209M3 (V72962))	B,C,N ,P,A W-BM	2
246 247	114T4302-1 NAS1195DD3KH		DELETED ..SHIM	B,C,N ,P,A W-BM	2
248	BACB30NT3K7		..BOLT	B,C,N ,P,A W-BM	22
250	BACB30NN3K6		..BOLT	B,C,N ,P,A W-BM	5
252 254	BACR15BA3AD 114T4264-11		DELETED ..PANEL-COVE	B,C,A W-BD	1
-256	114T4264-12		..PANEL-COVE	N,P,B E-BM	1
258	114T4110-67		..STIFFENER	B,C,N ,P,A W-BM	1
259G	BACR15BA3AD		..RIVET- (SIZE DETERMINE ON INST)	B,C,N ,P,A W-BM	54
260	BACN10JQ36		..NUTPLATE	B,C,N ,P,A W-BM	6

# 57-43-55

 ILLUSTRATED PARTS LIST  
 01.1 Page 1052V  
 Nov 01/00

**BOEING**  
COMPONENT  
MAINTENANCE MANUAL

FIG. & ITEM	PART NO.	AIRLINE PART NUMBER	NOMENCLATURE 1234567	EFF CODE	QTY PER ASSY
03-262	BACN10JQ35		..NUTPLATE	B,C,N P,A W-BM	16
263	BACN10JQ34		..NUTPLATE	B,C,N P,A W-BM	4
264	BACN10JQ33		..NUTPLATE	B,C,N P,A W-BM	1
266	BACB30NU3K5		..BOLT	B,C,N P,A W-BM	2
268	BACB30NT3K5		..BOLT	B,C,N P,A W-BM	2
270	BACB30NT3K4		..BOLT	B,C,N P,A W-BM	1
272	BACB30NT3K3		..BOLT	B,C,N P,A W-BM	3
274	AN960PD10		..WASHER	B,C,N P,A W-BM	4
276	H10-3BAC		..NUT- (V15653) (SPEC BACN10JC3) (OPT NS202101-02 (V80539)) (OPT RMLH9075-3W (V72962)) (OPT T6S1032J (V71087)) (OPT VN303A02 (V92215)) (OPT 96-02 (V80539)) (OPT BRH10A3 (V52828))	B,C,N P,A W-BM	4

57-43-55

ILLUSTRATED PARTS LIST  
01.1 Page 1052W  
Nov 01/00

FIG. & ITEM	PART NO.	AIRLINE PART NUMBER	NOMENCLATURE 1234567	EFF CODE	QTY PER ASSY
03-277	BACR15CE6KE		..RIVET- (SIZE DETERMINE ON INST)	B,C,N ,P,A W-BM	6
277G	BACR15FT6AD		..RIVET- (SIZE DETERMINE ON INST)	B,C,N ,P,A W-BM	38
278	114T4264-23		..PANEL-COVE	B,C,A W-BD	1
-280	114T4264-24		..PANEL-COVE	N,P,B E-BM	1
282	114T4110-69		..STIFFENER	B,C,N ,P,A W-BM	1
282G	BACR15BA3AD		..RIVET- (SIZE DETERMINE ON INST)	B,C,N ,P,A W-BM	8
282K	BRFM20A3		..NUTPLATE- (V52828) (SPEC BACN10JN3) (OPT MF1000-3BAC (V15653)) (OPT NS103218-02 (V80539)) (OPT RMF9201M3 (V72962)) (OPT VN252A02 (V92215)) (OPT MF1000-3BAC (V15653)) (OPT MF53049-3 (V15653))	B,C,N ,P,A W-BM	4

# 57-43-55

 ILLUSTRATED PARTS LIST  
 01.1 Page 1052X  
 Nov 01/00



 **BOEING**  
COMPONENT  
MAINTENANCE MANUAL

FIG. & ITEM	PART NO.	AIRLINE PART NUMBER	NOMENCLATURE 1234567	EFF CODE	QTY PER ASSY
03-283	BACB30NT3K7		..BOLT	B,C,N ,P,A W-BM	77
284	BACB30NN3K6		..BOLT	B,C,N ,P,A W-BM	19
285	BACR15CE6KE		DELETED		
285A	BACB30NT3K7		..BOLT- (USED ON ITEMS 7A, 8A)	B,C,N ,P,A W-BM	6
286	BACR15FT6AD		DELETED		
286A	BACB30NM3K10		..BOLT- (REWORK DWG 114T4184-1, 114T4184-2) (USED ON ITEMS 7, 8)	B,C,N ,P,A W-BM	4
287	AN960KD10L		..WASHER- (REWORK DWG 114T4184-1, 114T4184-2) (USED ON ITEMS 7, 8)	B,C,N ,P,A W-BM	4
288	BACR15BA3AD		DELETED		
288A	BACB30NN3K9		..BOLT- (REWORK DWG 114T4184-1, 114T4184-2) (USED ON ITEMS 7, 8)	B,C,N ,P,A W-BM	2
290	114T4264-15		..PANEL-COVE (USED ON ITEM 7)	B,C,A W-BD	1
-290A	114T4264-27		..PANEL-COVE (USED ON ITEM 7A)	B,C,A W-BD	1
-292	114T4264-16		..PANEL-COVE (USED ON ITEM 8)	N,P,B E-BM	1
-292A	114T4264-28		..PANEL-COVE (USED ON ITEM 8A)	N,P,B E-BM	1
293	114T4110-71		..STIFFENER	B,C,N ,P,A W-BM	1
294	BACR15BA5AD		..RIVET- (SIZE DETERMINE ON INST)	B,C,N ,P,A W-BM	2
296	114T4110-71		DELETED		
298	114T4110-73		..STIFFENER	B,C,A W-BD	1

57-43-55

FIG. & ITEM	PART NO.	AIRLINE PART NUMBER	NOMENCLATURE 1234567	EFF CODE	QTY PER ASSY
03- -300	114T4110-74		..STIFFENER	N,P,B E-BM	1
301	BACR15BA3AD		..RIVET- (SIZE DETRMIINE ON INST)	B,C,N ,P,A W-BM	120
302	BACN10JQ36		..NUTPLATE	B,C,N ,P,A W-BM	10
304	BACN10JQ35		..NUTPLATE	B,C,N ,P,A W-BM	29
306	BACN10JQ34		..NUTPLATE	B,C,N ,P,A W-BM	17
308	NS103225-02		..NUTPLATE- (V80539) (SPEC BACN10KH3) (OPT RMF9209M3 (V72962)) (OPT RMF9209M3 (V72962))	B,C,N ,P,A W-BM	4
310	NAS1195DD3KH		..SHIM	B,C,N ,P,A W-BM	2
312	BACB30NU3K4		..BOLT	B,C,N ,P,A W-BM	12
314	BACB30NT3K5		..BOLT	B,C,N ,P,A W-BM	1
316	BACB30NT3K3		..BOLT	B,C,N ,P,A W-BM	20

# 57-43-55

 ILLUSTRATED PARTS LIST  
 01.1 Page 1052Z  
 Nov 01/00

**BOEING**  
COMPONENT  
MAINTENANCE MANUAL

FIG. & ITEM	PART NO.	AIRLINE PART NUMBER	NOMENCLATURE 1234567	EFF CODE	QTY PER ASSY
03-317	BACR15CE5KE		..RIVET- (SIZE DETERMINE ON INST)	B,C,N ,P,A W-BM	1
317G	BACR15FT5AD		..RIVET- (SIZE DETERMINE ON INST)	B,C,N ,P,A W-BM	9
318	BACR15BA3AD		DELETED		
320	114T4264-17		..PANEL-COVE	B,C,A W-BD	1
-322	114T4264-18		..PANEL-COVE	N,P,B E-BM	1
324	114T4110-75		..STIFFENER	B,C,N ,P,A W-BM	1
325	BACR15BA3AD		..RIVET- (SIZE DETERMINE ON INST)	B,C,N ,P,A W-BM	48
326	BACR15CE5KE		DELETED		
328	BACR15FT5AD		DELETED		
330	BACN10JQ32		..NUTPLATE	B,C,N ,P,A W-BM	24
334	114T4114-7		..WEDGE ASSY- (OPT ITEM 336) (PRE SB 767-57A0039) (PRE SB 767-57A0057)	B,C	1
-334A	114T4114-17		..WEDGE ASSY- (POST SB 767-57A0057)	AW-AY ,BC	1
-334B	114T4114-19		..WEDGE ASSY- (POST SB 767-57A0057)	AZ-BB ,BD	1
-336	114T4114-9		..WEDGE ASSY- (OPT ITEM 334) (PRE SB 767-57A0039) (PRE SB 767-57A0057)	B,C	1

**57-43-55**

FIG. & ITEM	PART NO.	AIRLINE PART NUMBER	NOMENCLATURE 1234567	EFF CODE	QTY PER ASSY
03-338	114T4114-8		..WEDGE ASSY- (OPT ITEM 340) (PRE SB 767-57A0039) (PRE SB 767-57A0057)	N,P	1
-338A	114T4114-18		..WEDGE ASSY- (POST SB 767-57A0057)	BE-BG ,BL	1
-338B	114T4114-20		..WEDGE ASSY- (POST SB 767-57A0057)	BH-BK ,BM	1
-340	114T4114-10		..WEDGE ASSY- (OPT ITEM 338) (PRE SB 767-57A0039) (PRE SB 767-57A0057)	N,P	1
342	BACB30NW6K		ATTACHING PARTS ..BOLT- (SIZE DETERMINE ON INST)	B,C,N ,P,A W-BM	34
344	HL79-6		..COLLAR- (V56878) (SPEC BACC30M6) (OPT HL79-6 (V73197)) (OPT HL79-6 (V92215)) (OPT 66014-6 (V56878)) (OPT HL79-6 (V5M902))	B,C,N ,P,A W-BM	34
346	BACR15CE5KE		..RIVET- (SIZE DETERMINE ON INST)	B,C,N ,P,A W-BM	130
347	BACS40R09C18F		..SHIM	B,C,N ,P,A W-BM	7
348	BACS40R09C09F		..SHIM  -----*-----	B,C,N ,P,A  W-BM	2

**57-43-55**

 ILLUSTRATED PARTS LIST  
 01.1 Page 1054  
 Nov 01/00

**BOEING**  
COMPONENT  
MAINTENANCE MANUAL

FIG. & ITEM	PART NO.	AIRLINE PART NUMBER	NOMENCLATURE 1234567	EFF CODE	QTY PER ASSY
03-349	114T4159-1		..PANEL ASSY-ACCESS	B,C,A W-BD	1
-350	114T4159-2		..PANEL ASSY-ACCESS	N,P,B E-BM	1
352	114T4159-3		..PANEL ASSY-ACCESS	B,C,A W-BD	1
-354	114T4159-4		..PANEL ASSY-ACCESS	N,P,B E-BM	1
356	BACB30NN3K5		ATTACHING PARTS ..BOLT-*(1)	B,C,N ,P,A W-BM	60
356A	BACB30NN3K5		..BOLT-*(2) -----*-----	B,C,N ,P,A	63
358	BACR15BA3AD		..RIVET-*(1) (SIZE DETERMINE ON INST)	W-BM B,C,N ,P,A W-BM	100
358A	BACR15BA3AD		..RIVET-*(2) (SIZE DETERMINE ON INST)	B,C,N ,P,A W-BM	106
360	BACN10JQ34		..NUTPLATE-*(1)	W-BM B,C,N ,P,A W-BM	31
360A	BACN10JQ34		..NUTPLATE-*(2)	B,C,N ,P,A W-BM	34
362	BACN10JQ32		..NUTPLATE	B,C,N ,P,A W-BM	16
364	NS103225-02		..NUTPLATE- (V80539) (SPEC BACN10KH3) (OPT RMF9209M3 (V72962)) (OPT RMF9209M3 (V72962))	B,C,N ,P,A W-BM	4
366	NAS1195DD3KH		..SHIM	B,C,N ,P,A W-BM	4
367	BACB30NN3K4		..BOLT	B,C,N ,P,A W-BM	4

57-43-55

ILLUSTRATED PARTS LIST  
01.1 Page 1054A  
Nov 01/00

FIG. & ITEM	PART NO.	AIRLINE PART NUMBER	NOMENCLATURE 1234567	EFF CODE	QTY PER ASSY
03-368	BACR15BA3AD		..RIVET- (SIZE DETERMINE ON INST)	B,C,N ,P,A W-BM	8
370	BRFM20A3		..NUTPLATE- (V52828) (SPEC BACN10JN3) (OPT MF1000-3BAC (V15653)) (OPT NS103218-02 (V80539)) (OPT RMF9201M3 (V72962)) (OPT VN252A02 (V92215)) (OPT MF1000-3BAC (V15653)) (OPT MF53049-3 (V15653))	B,C,N ,P,A W-BM	4
372	114T4606-13		..RIB ASSY-ACTR	B,C,A W-BM	1
-374	114T4606-14		..RIB ASSY-ACTR	N,P,B E-BM	1
376	BACB30NU3K5		ATTACHING PARTS ..BOLT	B,C,N ,P,A W-BM	4
378	BACB30NU3K4		..BOLT	B,C,N ,P,A W-BM	2
380	AN960PD10		..WASHER	B,C,N ,P,A W-BM	6

# 57-43-55

 ILLUSTRATED PARTS LIST  
 01.1 Page 1054B  
 Nov 01/00

 **BOEING**  
COMPONENT  
MAINTENANCE MANUAL

FIG. & ITEM	PART NO.	AIRLINE PART NUMBER	NOMENCLATURE 1234567	EFF CODE	QTY PER ASSY
03-382	H10-3BAC		..NUT- (V15653) (SPEC BACN10JC3) (OPT NS202101-02 (V80539)) (OPT RMLH9075-3W (V72962)) (OPT T6S1032J (V71087)) (OPT VN303A02 (V92215)) (OPT 96-02 (V80539)) (OPT BRH10A3 (V52828))	B,C,N P,A W-BM	6
384	BACB30MY6K		..BOLT- (SIZE DETERMINE ON INST)	B,C,N P,A W-BM	2
386	BACB30NW6K		..BOLT- (SIZE DETERMINE ON INST)	B,C,N P,A W-BM	6
388	HL79-6		..COLLAR- (V56878) (SPEC BACC30M6) (OPT HL79-6 (V73197)) (OPT HL79-6 (V92215)) (OPT 66014-6 (V56878)) (OPT HL79-6 (V5M902))	B,C,N P,A W-BM	8

**57-43-55**

ILLUSTRATED PARTS LIST  
01.1 Page 1054C  
Nov 01/00

FIG. & ITEM	PART NO.	AIRLINE PART NUMBER	NOMENCLATURE 1234567	EFF CODE	QTY PER ASSY
03-390	BACR15FT6AD		..RIVET- (SIZE DETERMINE ON INST)	B,C,N ,P,A W-BM	10
392	BACS40R09C18F		..SHIM  -----*-----	B,C,N ,P,A	1
394	BACB28AM07B020A		...BUSHING	W-BM B,C,N ,P,A W-BM	1
396	BACB28AP05P019		...BUSHING	B,C,N ,P,A W-BM	1
398	BACR15BA3AD		...RIVET- (SIZE DETERMINE ON INST)	B,C,N ,P,A W-BM	36
400	BACN10JQ33		...NUTPLATE	B,C,N ,P,A W-BM	10
402	BACN10JQ34		...NUTPLATE	B,C,N ,P,A W-BM	6
404	NS103225-02		...NUTPLATE- (V80539) (SPEC BACN10KH3) (OPT RMF9209M3 (V72962)) (OPT RMF9209M3 (V72962))	B,C,N ,P,A W-BM	2
406	NAS1195DD3KH		...SHIM	B,C,N ,P,A W-BM	4
408	114T4606-15		...RIB	B,C,A W-BD	1

**57-43-55**

 ILLUSTRATED PARTS LIST  
 01.1 Page 1054D  
 Nov 01/00



**BOEING**  
COMPONENT  
MAINTENANCE MANUAL

FIG. & ITEM	PART NO.	AIRLINE PART NUMBER	NOMENCLATURE 1234567	EFF CODE	QTY PER ASSY
03- -410	114T4606-16		...RIB	N,P,B E-BM	1
412	114T4607-13		..RIB ASSY-ACTR	B,C,A W-BD	1
-414	114T4607-14		..RIB ASSY-ACTR	N,P,B E-BM	1
416	BACB30NU3K6		ATTACHING PARTS DELETED		
416A	BACB30NU3K5		..BOLT	B,C,N ,P,A W-BM	4
418	BACB30NU3K4		..BOLT	B,C,N ,P,A W-BM	2
420	AN960PD10		..WASHER	B,C,N ,P,A W-BM	6
422	H10-3BAC		..NUT- (V15653) (SPEC BACN10JC3) (OPT NS202101-02 (V80539)) (OPT RMLH9075-3W (V72962)) (OPT T6S1032J (V71087)) (OPT VN303A02 (V92215)) (OPT 96-02 (V80539)) (OPT BRH10A3 (V52828))	B,C,N ,P,A W-BM	6
424	BACB30MY6K		..BOLT- (SIZE DETERMINE ON INST)	B,C,N ,P,A W-BM	4
426	BACB30NW6K		..BOLT- (SIZE DETERMINE ON INST)	B,C,N ,P,A W-BM	6

57-43-55

ILLUSTRATED PARTS LIST  
01.1 Page 1054E  
Nov 01/00

FIG. & ITEM	PART NO.	AIRLINE PART NUMBER	NOMENCLATURE 1234567	EFF CODE	QTY PER ASSY
03-428	HL79-6		..COLLAR- (V56878) (SPEC BACC30M6) (OPT HL79-6 (V73197)) (OPT HL79-6 (V92215)) (OPT 66014-6 (V56878)) (OPT HL79-6 (V5M902))	B,C,N ,P,A W-BM	8
430	BACR15FT6AD		..RIVET- (SIZE DETERMINE ON INST)	B,C,N ,P,A W-BM	10
432	BACS40R09C18F		..SHIM  -----*	B,C,N ,P,A	1
434	BACB28AM07B020A		...BUSHING	W-BM B,C,N ,P,A W-BM	1
436	BACB28AP05P019		...BUSHING	B,C,N ,P,A W-BM	1
438	BACR15BA3AD		...RIVET- (SIZE DETERMINE ON INST)	B,C,N ,P,A W-BM	40
440	BACN10JQ33		...NUTPLATE	B,C,N ,P,A W-BM	10

# 57-43-55

 ILLUSTRATED PARTS LIST  
 01.1 Page 1054F  
 Nov 01/00

**BOEING**  
COMPONENT  
MAINTENANCE MANUAL

FIG. & ITEM	PART NO.	AIRLINE PART NUMBER	NOMENCLATURE 1234567	EFF CODE	QTY PER ASSY
03-442	BACN10JQ34		...NUTPLATE	B,C,N P,A W-BM	8
444	NS103225-02		...NUTPLATE- (V80539) (SPEC BACN10KH3) (OPT RMF9209M3 (V72962)) (OPT RMF9209M3 (V72962))	B,C,N P,A W-BM	2
446	NAS1195DD3KH		...SHIM	B,C,N P,A W-BM	4
448	114T4607-15		...RIB	B,C,A W-BD	1
-450	114T4607-16		...RIB	N,P,B E-BM	1
451	BACB30NW6K9X		..BOLT- (REWORK DWG 114T4184-1, 114T4184-2) (USED ON ITEMS 7, 8)	B,C,N P,A W-BM	4
452 453	114T4406-13 HL79-6		DELETED ..COLLAR- (V56878) (SPEC BACC30M6) (OPT HL79-6 (V73197)) (OPT HL79-6 (V92215)) (OPT 66014-6 (V56878)) (OPT HL79-6 (V5M902)) (REWORK DWG 114T4184-1, 114T4184-2) (USED ON ITEMS 7, 8)	B,C,N P,A W-BM	4

**57-43-55**

FIG. & ITEM	PART NO.	AIRLINE PART NUMBER	NOMENCLATURE 1234567	EFF CODE	QTY PER ASSY
03- -454 455	114T4406-14 BACB30NU3K9		DELETED ..BOLT- (REWORK DWG 114T4184-1, 114T4184-2) (USED ON ITEMS 7, 8) ATTACHING PARTS	B,C,N ,P,A W-BM	2
456	BACB30NU3K6		..BOLT  -----*-----	B,C,N ,P,A  W-BM	2
457	H10-3BAC		..NUT- (V15653) (SPEC BACN10JC3) (OPT NS202101-02 (V80539)) (OPT RMLH9075-3W (V72962)) (OPT T6S1032J (V71087)) (OPT VN303A02 (V92215)) (OPT 96-02 (V80539)) (OPT BRH10A3 (V52828)) (REWORK DWG 114T4184-1, 114T4184-2) (USED ON ITEMS 7, 8) ATTACHING PARTS	B,C,N ,P,A W-BM	2

**57-43-55**

ILLUSTRATED PARTS LIST  
01.1 Page 1054H  
Nov 01/00

**BOEING**  
COMPONENT  
MAINTENANCE MANUAL

FIG. & ITEM	PART NO.	AIRLINE PART NUMBER	NOMENCLATURE 1234567	EFF CODE	QTY PER ASSY
03- 458 459	BACB30NU3K4 BACS40R08C34F		DELETED ..SHIM- (REWORK DWG 114T4184-1, 114T4184-2) (USED ON ITEMS 7, 8)	B,C,N P,A W-BM	2
460 461	BACB30NT3K22 114T6415-5		DELETED ..FILLER-PIVOT FTG (REWORK DWG 114T4184-1, 114T4184-2) (USED ON ITEMS 7, 8)	B,C,N P,A W-BM	4
461G	114T6415-4		..FILLER-PIVOT FTG (REWORK DWG 114T4184-1, 114T4184-2) (USED ON ITEMS 7, 8)	B,C,N P,A W-BM	2
462 463	AN960PD10 BACR15CE5AD		DELETED ..RIVET- (SIZE DETERMINE ON INST) (REWORK DWG 114T4184-1, 114T4184-2) (USED ON ITEMS 7, 8)	B,C,N P,A W-BM	8
464 465	H10-3BAC BACS12ER3C15		DELETED ..SCREW- (REWORK DWG 114T4184-1, 114T4184-2) (USED ON ITEMS 7, 8)	B,C,N P,A W-BM	4

57-43-55

FIG. & ITEM	PART NO.	AIRLINE PART NUMBER	NOMENCLATURE 1234567	EFF CODE	QTY PER ASSY
03- 466 467	BACB30MY6K H10-3BAC		DELETED ..NUT- (V15653) (SPEC BACN10JC3) (OPT NS202101-02 (V80539)) (OPT RMLH9075-3W (V72962)) (OPT T6S1032J (V71087)) (OPT VN303A02 (V92215)) (OPT 96-02 (V80539)) (OPT BRH10A3 (V52828)) (REWORK DWG 114T4184-1, 114T4184-2) (USED ON ITEMS 7, 8)	B,C,N ,P,A W-BM	4
468 469	BACB30NW6K 114T6415-1		DELETED ..PLATE-PIVOT FTG (REWORK DWG 114T4184-1, 114T4184-2) (USED ON ITEMS 7, 8)	B,C,N ,P,A W-BM	4
470 471	HL79-6 L8006K6		DELETED ..BOLT- (V06725) (SPEC BACB30MY6K6) (OPT HL10VAZ6-6 (VOPTK6)) (REWORK DWG 114T4184-1, 114T4184-2) (USED ON ITEMS 7, 8)	B,C,N ,P,A W-BM	8

# 57-43-55

 ILLUSTRATED PARTS LIST  
 01.1 Page 1054J  
 Nov 01/00

 **BOEING**  
COMPONENT  
MAINTENANCE MANUAL

FIG. & ITEM	PART NO.	AIRLINE PART NUMBER	NOMENCLATURE 1234567	EFF CODE	QTY PER ASSY
03- 472 473	BACR15FT6AD H10-3BAC		DELETED ..NUT- (V15653) (SPEC BACN10JC3) (OPT NS202101-02 (V80539)) (OPT RMLH9075-3W (V72962)) (OPT T6S1032J (V71087)) (OPT VN303A02 (V92215)) (OPT 96-02 (V80539)) (OPT BRH10A3 (V52828)) (REWORK DWG 114T4184-1, 114T4184-2) (USED ON ITEMS 7, 8)	B,C,N P,A W-BM	8
474 475	BACS4OR09C18F 114T4136-1		DELETED ..FITTING-CLOSURE PNL SPRT (REWORK DWG 114T4184-1, 114T4184-2) (USED ON ITEMS 7, 8)	B,C,N P,A W-BM	2
476 477	BACB28AM13B023A 114T4136-2		DELETED ..FITTING-CLOSURE PNL SPRT (REWORK DWG 114T4184-1, 114T4184-2) (USED ON ITEMS 7, 8)	B,C,N P,A W-BM	2
478	BACB28AP09P022		DELETED		

57-43-55

FIG. & ITEM	PART NO.	AIRLINE PART NUMBER	NOMENCLATURE 1234567	EFF CODE	QTY PER ASSY
03-479	BACB30MY12K12		..BOLT- (REWORK DWG 114T4184-1, 114T4184-2) (USED ON ITEMS 7, 8)	B,C,N P,A W-BM	4
479G	HL82-12APBW		..COLLAR- (V73197) (SPEC BACC30AG12) (OPT HL82-12APBW (V56878)) (OPT HL82-12APBW (V5M902)) (REWORK DWG 114T4184-1, 114T4184-2) (USED ON ITEMS 7, 8)	B,C,N P,A W-BM	4
480	BACR15BA3AD		DELETED		
481	BACS40R12C26F		..SHIM- (REWORK DWG 114T4184-1, 114T4184-2) (USED ON ITEMS 7, 8)	B,C,N P,A W-BM	1
481G	BACS40R12C28F		..SHIM- (REWORK DWG 114T4184-1, 114T4184-2) (USED ON ITEMS 7, 8)	B,C,N P,A W-BM	1
482	BACN10JQ33		DELETED		
483	114T4192-1		..FITTING ASSY- (REWORK DWG 114T4184-1) (USED ON ITEM 7)	B,C,A W-BD	1
484	NS103225-02		DELETED		
-484A	114T4192-2		..FITTING ASSY- (REWORK DWG 114T4184-2) (USED ON ITEM 8)	N,P,B E-BM	1
485	114T4193-1		..FITTING ASSY- (REWORK DWG 114T4184-1) (USED ON ITEM 7)	B,C,A W-BD	1
486	NAS1195DD3KH		DELETED		

# 57-43-55

 ILLUSTRATED PARTS LIST  
 01.1 Page 1054L  
 Nov 01/00



 **BOEING**  
COMPONENT  
MAINTENANCE MANUAL

FIG. & ITEM	PART NO.	AIRLINE PART NUMBER	NOMENCLATURE 1234567	EFF CODE	QTY PER ASSY
03- -486A	114T4193-2		..FITTING ASSY- (REWORK DWG 114T4184-2) (USED ON ITEM 8)	N,P,B E-BM	1
487	BACB28AM13B023A		...BUSHING	B,C,N ,P,A W-BM	1
488	114T4406-15		DELETED		
488A	012T2400-43		...BUSHING	B,C,N ,P,A W-BM	1
489	114T4192-3		...FITTING- (USED ON ITEM 483)	B,C,A W-BD	1
-489A	114T4193-3		...FITTING- (USED ON ITEM 485)	B,C,A W-BD	1
-490	114T4406-16		DELETED		
-490A	114T4192-4		...FITTING- (USED ON ITEM 484A)	N,P,B E-BM	1
-490B	114T4193-4		...FITTING- (USED ON ITEM 486A)	N,P,B E-BM	1
492	114T4407-13		DELETED		
-494	114T4407-14		DELETED		
496	BACB30NU3K6		..BOLT- (USED ON ITEMS 7, 8)	B,C,N ,P,A W-BM	4
498	BACB30NU3K4		..BOLT- (USED ON ITEMS 7, 8)	B,C,N ,P,A W-BM	4
500	BACB30NT3K22		DELETED		
502	AN960PD10		..WASHER- (USED ON ITEMS 7, 8)	B,C,N ,P,A W-BM	12

57-43-55

ILLUSTRATED PARTS LIST  
01.1 Page 1054M  
Nov 01/00

FIG. & ITEM	PART NO.	AIRLINE PART NUMBER	NOMENCLATURE 1234567	EFF CODE	QTY PER ASSY
03-504	H10-3BAC		..NUT- (V15653) (SPEC BACN10JC3) (OPT NS202101-02 (V80539)) (OPT RMLH9075-3W (V72962)) (OPT T6S1032J (V71087)) (OPT VN303A02 (V92215)) (OPT 96-02 (V80539)) (OPT BRH10A3 (V52828)) (USED ON ITEMS 7, 8)	B,C,N P,A W-BM	8
506	BACB30MY6K		..BOLT- (SIZE DETERMINE ON INST) (USED ON ITEMS 7, 8)	B,C,N P,A W-BM	8
508	BACB30NW6K		..BOLT- (SIZE DETERMINE ON INST) (USED ON ITEMS 7, 8)	B,C,N P,A W-BM	16
510	HL79-6		..COLLAR- (V56878) (SPEC BACC30M6) (OPT HL79-6 (V73197)) (OPT HL79-6 (V92215)) (OPT 66014-6 (V56878)) (OPT HL79-6 (V5M902)) (USED ON ITEMS 7, 8)	B,C,N P,A W-BM	24

# 57-43-55

 ILLUSTRATED PARTS LIST  
 01.1 Page 1054N  
 Nov 01/00

 **BOEING**  
COMPONENT  
MAINTENANCE MANUAL

FIG. & ITEM	PART NO.	AIRLINE PART NUMBER	NOMENCLATURE 1234567	EFF CODE	QTY PER ASSY
03-512	BACR15FT6AD		..RIVET- (SIZE DETERMINE ON INST) (USED ON ITEMS 7, 8)	B,C,N P,A W-BM	20
514	BACS4OR09C18F		..SHIM- (USED ON ITEMS 7, 8)	B,C,N P,A W-BM	2
516	BACB28AM13B023A		DELETED		
518	BACB28AP09P022		DELETED		
520	BACR15BA3AD		DELETED		
522	BACN10JQ33		DELETED		
523	114T4406-13		..RIB ASSY-TRACK (REWORK DWG 114T4184-3) (USED ON ITEM 7)	B,C,A W-BD	1
524	NS103225-02		DELETED		
-525	114T4406-14		..RIB ASSY-TRACK (REWORK DWG 114T4184-4) (USED ON ITEM 8)	N,P,B E-BM	1
526	NAS1195DD3KH		DELETED		
527	114T4407-13		..RIB ASSY-TRACK (REWORK DWG 114T4184-5) (USED ON ITEM 7)	B,C,A W-BD	1
528	114T4407-15		DELETED		
-529	114T4407-14		..RIB ASSY-TRACK (REWORK DWG 114T4184-6) (USED ON ITEM 8)	N,P,B E-BM	1
-530	114T4407-16		DELETED		
532	114T4518-1		..RIB ASSY-AUX	B,C,A W-BD	1
-534	114T4518-2		..RIB ASSY-AUX	N,P,B E-BM	1
536	BACB30NU3K6		DELETED		

57-43-55

FIG. & ITEM	PART NO.	AIRLINE PART NUMBER	NOMENCLATURE 1234567	EFF CODE	QTY PER ASSY
03-536A	BACB30NW5K		..BOLT- (SIZE DETERMINE ON INST)	B,C,N ,P,A W-BM	2
538	BACB30NT3K6		..BOLT	B,C,N ,P,A W-BM	2
540	AN960PD10		..WASHER	B,C,N ,P,A W-BM	1
541	BACW10P43AL		..WASHER	B,C,N ,P,A W-BM	1
542	H10-3BAC		..NUT- (V15653) (SPEC BACN10JC3) (OPT NS202101-02 (V80539)) (OPT RMLH9075-3W (V72962)) (OPT T6S1032J (V71087)) (OPT VN303A02 (V92215)) (OPT 96-02 (V80539)) (OPT BRH10A3 (V52828))	B,C,N ,P,A W-BM	2
543	HL70-5		..COLLAR- (V56878) (SPEC BACC30M5) (OPT HL70-5 (V73197)) (OPT HL70-5 (V92215)) (OPT 66014-5 (V56878)) (OPT HL79-5 (V5M902))	B,C,N ,P,A W-BM	2
544	BACB30MY6K		..BOLT- (SIZE DETERMINE ON INST)	B,C,N ,P,A W-BM	1
546	BACB30NW6K		..BOLT- (SIZE DETERMINE ON INST)	B,C,N ,P,A W-BM	6

# 57-43-55

 ILLUSTRATED PARTS LIST  
 01.1 Page 1054P  
 Nov 01/00

 **BOEING**  
COMPONENT  
MAINTENANCE MANUAL

FIG. & ITEM	PART NO.	AIRLINE PART NUMBER	NOMENCLATURE 1234567	EFF CODE	QTY PER ASSY
03-548	HL79-6		..COLLAR- (V56878) (SPEC BACC30M6) (OPT HL79-6 (V73197)) (OPT HL79-6 (V92215)) (OPT 66014-6 (V56878)) (OPT HL79-6 (V5M902))	B,C,N ,P,A W-BM	7
550	BACR15FT6AD		..RIVET- (SIZE DETERMINE ON INST)	B,C,N ,P,A W-BM	5
552	BACS40R14C09F		..SHIM  -----*-----	B,C,N ,P,A	1
554	012T2400-45		...BUSHING	W-BM B,C,N ,P,A W-BM	2
556	HL441N5-3		...BOLT- (V56878) (SPEC BACB30FN5A3N) (OPT HL441N5-3 (V73197)) (OPT HL441N5-3 (V92215)) (OPT HL441N5-3 (V97928)) (OPT HL441N5-3 (V08524)) (OPT HL19-5A3N (V06725)) (OPT L839-5A3N (V06725)) (OPT ITEM 558)	B,C,N ,P,A W-BM	4

**57-43-55**

ILLUSTRATED PARTS LIST  
01.1 Page 1054Q  
Nov 01/00

FIG. & ITEM	PART NO.	AIRLINE PART NUMBER	NOMENCLATURE 1234567	EFF CODE	QTY PER ASSY
03-558	HL441UC5-3		...BOLT- (V56878) (SPEC BACB30FN5A3) (OPT HL441UC5-3 (V73197)) (OPT HL441UC5-3 (V92215)) (OPT HL441UC5-3 (V97928)) (OPT HL41PY5-3 (V80539)) (OPT HL441N5-3 (V80539)) (OPT HL441UC5-3 (V80539)) (OPT 67068-5A3 (V56878)) (OPT 67068-5A3 (V56878)) (OPT HL19-5A3 (V06725)) (OPT L839-5A3 (V06725)) (OPT ITEM 556)	B,C,N P,A W-BM	4
560	AN960PD8L		...WASHER	B,C,N P,A W-BM	4
562	H10-08BAC		...NUT- (V15653) (SPEC BACN10JC08) (OPT NS202101-82 (V80539)) (OPT RMLH9075-82W (V72962)) (OPT T6S832J (V71087)) (OPT VN303A82 (V92215)) (OPT 96-82 (V80539)) (OPT BRH10A08 (V52828)) (OPT ITEM 564)	B,C,N P,A W-BM	4

# 57-43-55

 ILLUSTRATED PARTS LIST  
 01.1 Page 1054R  
 Nov 01/00

 **BOEING**  
COMPONENT  
MAINTENANCE MANUAL

FIG. & ITEM	PART NO.	AIRLINE PART NUMBER	NOMENCLATURE 1234567	EFF CODE	QTY PER ASSY
03- -564	BACN10JC08CD		...NUT- (OPT ITEM 562)	B,C,N ,P,A W-BM	4
566	114T4149-1		...PLATE-RUB	B,C,N ,P,A W-BM	1
568	114T4149-2		...PLATE-RUB	B,C,N ,P,A W-BM	1
570	114T4518-3		...RIB	B,C,A W-BD	1
-572	114T4518-4		...RIB	N,P,B E-BM	1
574	114T4519-1		..RIB ASSY-AUX	B,C,A W-BD	1
-576	114T4519-2		..RIB ASSY-AUX	N,P,B E-BM	1
578	BACB30NU3K6		ATTACHING PARTS DELETED		
578A	BACB30NW5K		..BOLT	B,C,N ,P,A W-BM	2
580	BACB30NT3K6		..BOLT	B,C,N ,P,A W-BM	2
582	AN960PD10		..WASHER	B,C,N ,P,A W-BM	1

**57-43-55**

ILLUSTRATED PARTS LIST  
01.1 Page 1054S  
Nov 01/00

FIG. & ITEM	PART NO.	AIRLINE PART NUMBER	NOMENCLATURE 1234567	EFF CODE	QTY PER ASSY
03-583	BACW10P43AL		..WASHER	B,C,N P,A W-BM	1
584	H10-3BAC		..NUT- (V15653) (SPEC BACN10JC3) (OPT NS202101-02 (V80539)) (OPT RMLH9075-3W (V72962)) (OPT T6S1032J (V71087)) (OPT VN303A02 (V92215)) (OPT 96-02 (V80539)) (OPT BRH10A3 (V52828))	B,C,N P,A W-BM	2
585	HL70-5		..COLLAR- (V56878) (SPEC BACC30M5) (OPT HL70-5 (V73197)) (OPT HL70-5 (V92215)) (OPT 66014-5 (V56878)) (OPT HL79-5 (V5M902))	B,C,N P,A W-BM	2

# 57-43-55

 ILLUSTRATED PARTS LIST  
 01.1 Page 1054T  
 Nov 01/00



**BOEING**  
COMPONENT  
MAINTENANCE MANUAL

FIG. & ITEM	PART NO.	AIRLINE PART NUMBER	NOMENCLATURE 1234567	EFF CODE	QTY PER ASSY
03-586	BACB30MY6K		..BOLT- (SIZE DETERMINE ON INST)	B,C,N ,P,A W-BM	1
588	BACB30NW6K		..BOLT- (SIZE DETERMINE ON INST)	B,C,N ,P,A W-BM	6
590	HL79-6		..COLLAR- (V56878) (SPEC BACC30M6) (OPT HL79-6 (V73197)) (OPT HL79-6 (V92215)) (OPT 66014-6 (V56878)) (OPT HL79-6 (V5M902))	B,C,N ,P,A W-BM	7
592	BACR15FT6AD		..RIVET- (SIZE DETERMINE ON INST)	B,C,N ,P,A W-BM	5
594	BACS40R14C09F		..SHIM  -----*-----	B,C,N ,P,A	1
596	012T2400-45		...BUSHING	W-BM B,C,N ,P,A W-BM	2
598	HL441N5-3		...BOLT- (V56878) (SPEC BACB30FN5A3N) (OPT HL441N5-3 (V73197)) (OPT HL441N5-3 (V92215)) (OPT HL441N5-3 (V97928)) (OPT HL441N5-3 (V08524)) (OPT HL19-5A3N (V06725)) (OPT L839-5A3N (V06725)) (OPT ITEM 600)	B,C,N ,P,A W-BM	4

**57-43-55**

FIG. & ITEM	PART NO.	AIRLINE PART NUMBER	NOMENCLATURE 1234567	EFF CODE	QTY PER ASSY
03-600	HL441UC5-3		...BOLT- (V56878) (SPEC BACB30FN5A3) (OPT HL441UC5-3 (V73197)) (OPT HL441UC5-3 (V92215)) (OPT HL441UC5-3 (V97928)) (OPT HL41PY5-3 (V80539)) (OPT HL441N5-3 (V80539)) (OPT HL441UC5-3 (V80539)) (OPT 67068-5A3 (V56878)) (OPT 67068-5A3 (V56878)) (OPT HL19-5A3 (V06725)) (OPT L839-5A3 (V06725)) (OPT ITEM 598)	B,C,N P,A W-BM	4
602	AN960PD8L		...WASHER	B,C,N P,A W-BM	4
604	H10-08BAC		...NUT- (V15653) (SPEC BACN10JC08) (OPT NS202101-82 (V80539)) (OPT RMLH9075-82W (V72962)) (OPT T6S832J (V71087)) (OPT VN303A82 (V92215)) (OPT 96-82 (V80539)) (OPT BRH10A08 (V52828)) (OPT ITEM 606)	B,C,N P,A W-BM	4

# 57-43-55

 ILLUSTRATED PARTS LIST  
 01.1 Page 1054V  
 Nov 01/00

 **BOEING**  
COMPONENT  
MAINTENANCE MANUAL

FIG. & ITEM	PART NO.	AIRLINE PART NUMBER	NOMENCLATURE 1234567	EFF CODE	QTY PER ASSY
03- -606	BACN10JC08CD		...NUT- (OPT ITEM 604)	B,C,N ,P,A W-BM	4
608	114T4149-1		...PLATE-RUB	B,C,N ,P,A W-BM	1
610	114T4149-2		...PLATE-RUB	B,C,N ,P,A W-BM	1
612	114T4519-3		...RIB	B,C,A W-BD	1
-614	114T4519-4		...RIB	N,P,B E-BM	1
616	114T4704-5		..RIB ASSY-AIRLOAD	B,C,A W-BD	1
-618	114T4704-6		..RIB ASSY-AIRLOAD	N,P,B E-BM	1
620	BACR15BA3AD		...RIVET- (SIZE DETERMINE ON INST)	B,C,N ,P,A W-BM	8
622	BRFM20A3		...NUTPLATE- (V52828) (SPEC BACN10JN3) (OPT MF1000-3BAC (V15653)) (OPT NS103218-02 (V80539)) (OPT RMF9201M3 (V72962)) (OPT VN252A02 (V92215)) (OPT MF1000-3BAC (V15653)) (OPT MF53049-3 (V15653))	B,C,N ,P,A W-BM	2

**57-43-55**

ILLUSTRATED PARTS LIST  
01.1 Page 1054W  
Nov 01/00

FIG. & ITEM	PART NO.	AIRLINE PART NUMBER	NOMENCLATURE 1234567	EFF CODE	QTY PER ASSY
03-624	NS103225-02		...NUTPLATE- (V80539) (SPEC BACN10KH3) (OPT RMF9209M3 (V72962)) (OPT RMF9209M3 (V72962))	B,C,N ,P,A W-BM	2
-626	114T49-7-5		DELETED		
-626A	114T4907-5		..RIB ASSY-END	B,C,A W-BD	1
-628	114T4907-6		..RIB ASSY-END	N,P,B E-BM	1
630	BACR15BA3AD		...RIVET- (SIZE DETERMINE ON INST)	B,C,N ,P,A W-BM	24
632	BRFM20A3		...NUTPLATE- (V52828) (SPEC BACN10JN3) (OPT MF1000-3BAC (V15653)) (OPT NS103218-02 (V80539)) (OPT RMF9201M3 (V72962)) (OPT VN252A02 (V92215)) (OPT MF1000-3BAC (V15653)) (OPT MF53049-3 (V15653))	B,C,N ,P,A W-BM	5
634	BACN10JQ32		...NUTPLATE	B,C,N ,P,A W-BM	1
636	BACN10JQ33		...NUTPLATE	B,C,N ,P,A W-BM	1

# 57-43-55

 ILLUSTRATED PARTS LIST  
 01.1 Page 1054X  
 Nov 01/00

 **BOEING**  
COMPONENT  
MAINTENANCE MANUAL

FIG. & ITEM	PART NO.	AIRLINE PART NUMBER	NOMENCLATURE 1234567	EFF CODE	QTY PER ASSY
03-638	BACN10JQ34		...NUTPLATE	B,C,N P,A W-BM	2
640	NS103225-02		...NUTPLATE- (V80539) (SPEC BACN10KH3) (OPT RMF9209M3 (V72962)) (OPT RMF9209M3 (V72962))	B,C,N P,A W-BM	3
-642	114T4908-5		..RIB ASSY-END	B,C,A W-BD	1
-644	114T4908-6		..RIB ASSY-END	N,P,B E-BM	1
646	BACR15BA3AD		...RIVET- (SIZE DETERMINE ON INST)	B,C,N P,A W-BM	32
648	BRFM20A3		...NUTPLATE- (V52828) (SPEC BACN10JN3) (OPT MF1000-3BAC (V15653)) (OPT NS103218-02 (V80539)) (OPT RMF9201M3 (V72962)) (OPT VN252A02 (V92215)) (OPT MF1000-3BAC (V15653)) (OPT MF53049-3 (V15653))	B,C,N P,A W-BM	6

57-43-55

ILLUSTRATED PARTS LIST  
01.1 Page 1054Y  
Nov 01/00

FIG. & ITEM	PART NO.	AIRLINE PART NUMBER	NOMENCLATURE 1234567	EFF CODE	QTY PER ASSY
03-650	BACN10JQ32		...NUTPLATE	B,C,N P,A W-BM	1
652	BACN10JQ33		...NUTPLATE	B,C,N P,A W-BM	3
654	BACN10JQ34		...NUTPLATE	B,C,N P,A W-BM	3
656	NS103225-02		...NUTPLATE- (V80539) (SPEC BACN10KH3) (OPT RMF9209M3 (V72962)) (OPT RMF9209M3 (V72962))	B,C,N P,A W-BM	3
658	114T4912-11		..FITTING ASSY	B,C,A W-BD	1
-660	114T4912-12		..FITTING ASSY	N,P,B E-BM	1
662	114T4912-13		..FITTING ASSY-INSERT	B,C,A W-BD	1
-664	114T4912-14		..FITTING ASSY-INSERT	N,P,B E-BM	1
666	BACR15BA5A		ATTACHING PARTS ..RIVET- (SIZE DETERMINE ON INST)  -----*-----	B,C,N P,A W-BM	4

57-43-55

 **BOEING**  
COMPONENT  
MAINTENANCE MANUAL

FIG. & ITEM	PART NO.	AIRLINE PART NUMBER	NOMENCLATURE 1234567	EFF CODE	QTY PER ASSY
03- -668	114T4200-23		..SEAL INSTL-THRM ANTI-ICING	B,C,A W-BD	1
-670	114T4200-24		..SEAL INSTL-THRM ANTI-ICING	N,P,B E-BM	1
672	BACB30NT3K5		...BOLT	B,C,N ,P,A W-BM	2
674	BACB30NN3K4		...BOLT	B,C,N ,P,A W-BM	5
676 676A	BACWP43AL BACW10P43AL		DELETED ...WASHER	B,C,N ,P,A W-BM	7
678	H10-3BAC		...NUT- (V15653) (SPEC BACN10JC3) (OPT NS202101-02 (V80539)) (OPT RMLH9075-3W (V72962)) (OPT T6S1032J (V71087)) (OPT VN303A02 (V92215)) (OPT 96-02 (V80539)) (OPT BRH10A3 (V52828))	B,C,N ,P,A W-BM	5
680 680A	114T4200-77 114T4240-77		DELETED ...SEAL	B,C,A W-BD	1
-682 -682A	114T4200-78 114T4240-78		DELETED ...SEAL	N,P,B E-BM	1
684 684A	114T4200-79 114T4240-79		DELETED ...SEAL	B,C,A W-BD	1
-686 -686A	114T4200-80 114T4240-80		DELETED ...SEAL	N,P,B E-BM	1

57-43-55

FIG. & ITEM	PART NO.	AIRLINE PART NUMBER	NOMENCLATURE 1234567	EFF CODE	QTY PER ASSY
03-688	114T4200-5		..SEAL INSTL-THRM ANTI-ICING	B,C,A W-BD	1
-690	114T4200-6		..SEAL INSTL-THRM ANTI-ICING	N,P,B E-BM	1
692	BACB30NT3K4		...BOLT	B,C,N P,A W-BM	14
694	AN960PD10		...WASHER	B,C,N P,A W-BM	1
696	AN960PD10L		...WASHER	B,C,N P,A W-BM	14
698	BACW10P43AL		...WASHER	B,C,N P,A W-BM	8
700	H10-3BAC		...NUT- (V15653) (SPEC BACN10JC3) (OPT NS202101-02 (V80539)) (OPT RMLH9075-3W (V72962)) (OPT T6S1032J (V71087)) (OPT VN303A02 (V92215)) (OPT 96-02 (V80539)) (OPT BRH10A3 (V52828))	B,C,N P,A W-BM	10

# 57-43-55

 ILLUSTRATED PARTS LIST  
 01.1 Page 1056  
 Nov 01/00





**BOEING**  
COMPONENT  
MAINTENANCE MANUAL

FIG. & ITEM	PART NO.	AIRLINE PART NUMBER	NOMENCLATURE 1234567	EFF CODE	QTY PER ASSY
03-702	114T4221-17		...FITTING-ATTACH	B,C,A W-BD	1
-704	114T4221-18		...FITTING-ATTACH	N,P,B E-BM	1
706	114T4222-15		...RETAINER	B,C,N P,A W-BM	1
708	114T4223-39		...SEAL-BLADE	B,C,A W-BD	1
-710	114T4223-40		...SEAL-BLADE	N,P,B E-BM	1
712	114T4221-3		...FITTING-ATTACH	B,C,A W-BD	1
-714	114T4221-4		...FITTING-ATTACH	N,P,B E-BM	1
716	114T4222-21		...RETAINER	B,C,A W-BD	1
-718	114T4222-22		...RETAINER	N,P,B E-BM	1
720	114T4223-33		...SEAL-BLADE	B,C,A W-BD	1
-722	114T4223-34		...SEAL-BLADE	N,P,B E-BM	1
724	114T4240-37		...SEAL	B,C,A W-BD	1
-726	114T4240-38		...SEAL	N,P,B E-BM	1
728	114T4240-39		...SEAL	B,C,A W-BD	1
-730	114T4240-40		...SEAL	N,P,B E-BM	1

**57-43-55**

ILLUSTRATED PARTS LIST  
01.1 Page 1056A  
Nov 01/00

FIG. & ITEM	PART NO.	AIRLINE PART NUMBER	NOMENCLATURE 1234567	EFF CODE	QTY PER ASSY
03-732	BACR15BB3AD		..RIVET- (SIZE DETERMINE ON INST)	B,C,N ,P,A W-BM	4
734	MS27253-1		..PLATE	B,C,N ,P,A W-BM	1
736	114T4406-17		..RIB ASSY-TRACK (USED ON ITEM 7A)	B,C,A W-BD	1
-738	114T4406-18		..RIB ASSY-TRACK (USED ON ITEM 8A) ATTACHING PARTS	N,P,B E-BM	1
740	BACB30NU3K6		..BOLT	B,C,N ,P,A W-BM	2
742	BACB30NU3K5		..BOLT	B,C,N ,P,A W-BM	2
744	BACB30MY6K5		..BOLT	B,C,N ,P,A W-BM	4
746	AN960PD10		..WASHER	B,C,N ,P,A W-BM	4
748	H10-3BAC		..NUT- (V15653) (SPEC BACN10JC3) (OPT NS202101-02 (V80539)) (OPT RMLH9075-3W (V72962)) (OPT T6S1032J (V71087)) (OPT VN303A02 (V92215)) (OPT 96-02 (V80539)) (OPT BRH10A3 (V52828))	B,C,N ,P,A W-BM	8

# 57-43-55

 ILLUSTRATED PARTS LIST  
 01.1 Page 1056B  
 Nov 01/00

**BOEING**  
COMPONENT  
MAINTENANCE MANUAL

FIG. & ITEM	PART NO.	AIRLINE PART NUMBER	NOMENCLATURE 1234567	EFF CODE	QTY PER ASSY
03-749	HST10AG6-8		..BOLT- (VOPTK6) (SPEC BACB30VT6K8) (OPT HST10AG6-8 (V06725)) (OPT HST10AG6-8 (V56878)) (OPT HST10AG6-8 (V73197))	B,C,N ,P,A W-BM	2
750	BACB30MY6K		..BOLT- (SIZE DETERMINE ON INST)	B,C,N ,P,A W-BM	4
751	HST10AG6-6		..BOLT- (VOPTK6) (SPEC BACB30VT6K6) (OPT HST10AG6-6 (V06725)) (OPT HST10AG6-6 (V56878)) (OPT HST10AG6-6 (V73197))	B,C,N ,P,A W-BM	4
752	BACB30NW6K		..BOLT- (SIZE DETERMINE ON INST)	B,C,N ,P,A W-BM	8
753	HST10AG6-5		..BOLT- (VOPTK6) (SPEC BACB30VT6K5) (OPT HST10AG6-5 (V06725)) (OPT HST10AG6-5 (V56878)) (OPT HST10AG6-5 (V73197))	B,C,N ,P,A W-BM	4
754	HL79-6		..COLLAR- (V56878) (SPEC BACC30M6) (OPT HL79-6 (V73197)) (OPT HL79-6 (V92215)) (OPT 66014-6 (V56878)) (OPT HL79-6 (V5M902))	B,C,N ,P,A W-BM	12

57-43-55

ILLUSTRATED PARTS LIST  
01.1 Page 1056C  
Nov 01/00

FIG. & ITEM	PART NO.	AIRLINE PART NUMBER	NOMENCLATURE 1234567	EFF CODE	QTY PER ASSY
03-755	HST79CY6		..COLLAR- (V73197) (SPEC BACC30BL6) (OPT HST79-6 (V56878)) (OPT HST79-6 (V92215)) (OPT HST79-6 (V5M902))	B,C,N ,P,A W-BM	10
756	BACR15FT6AD		DELETED		
758	BACS40R09C25F		..SHIM  -----*-----	B,C,N ,P,A  W-BM	1
760	BACB28AM13B040A		...BUSHING	B,C,N ,P,A W-BM	1
762	BACB28AP09P039		...BUSHING	B,C,N ,P,A W-BM	1
764	BACR15BA3AD		...RIVET- (SIZE DETERMINE ON INST)	B,C,N ,P,A W-BM	44
766	BACN10JQ33		...NUTPLATE	B,C,N ,P,A W-BM	18
768	NS103225-02		...NUTPLATE- (V80539) (SPEC BACN10KH3) (OPT RMF9209M3 (V72962)) (OPT F29779-3 (V15653))	B,C,N ,P,A W-BM	4
770	NAS1195DD3KH		...SHIM	B,C,N ,P,A W-BM	2
772	114T4406-19		...RIB	B,C,A W-BD	1
-774	114T4406-20		...RIB	N,P,B E-BM	1
776	114T4407-17		..RIB ASSY-TRACK (USED ON ITEM 7A)	B,C,A W-BD	1
-778	114T4407-18		..RIB ASSY-TRACK (USED ON ITEM 8A)	N,P,B E-BM	1

# 57-43-55

 ILLUSTRATED PARTS LIST  
 01.1 Page 1056D  
 Nov 01/00

 **BOEING**  
COMPONENT  
MAINTENANCE MANUAL

FIG. & ITEM	PART NO.	AIRLINE PART NUMBER	NOMENCLATURE 1234567	EFF CODE	QTY PER ASSY
03-			ATTACHING PARTS		
780	BACB30NU3K6		..BOLT	B,C,N P,A W-BM	2
782	BACB30NU3K5		..BOLT	B,C,N P,A W-BM	2
784 784A	BACB30M6K5 BACB30MY6K5		DELETED ..BOLT	B,C,N P,A W-BM	4
786	AN960PD10		..WASHER	B,C,N P,A W-BM	4
788	H10-3BAC		..NUT- (V15653) (SPEC BACN10JC3) (OPT NS202101-02 (V80539)) (OPT RMLH9075-3W (V72962)) (OPT T6S1032J (V71087)) (OPT VN303A02 (V92215)) (OPT 96-02 (V80539)) (OPT BRH10A3 (V52828))	B,C,N P,A W-BM	8

**57-43-55**

ILLUSTRATED PARTS LIST  
01.1 Page 1056E  
Nov 01/00

FIG. & ITEM	PART NO.	AIRLINE PART NUMBER	NOMENCLATURE 1234567	EFF CODE	QTY PER ASSY
03-790	BACB30MY6K		..BOLT- (SIZE DETERMINE ON INST)	B,C,N P,A W-BM	4
791	HST10AG6-6		..BOLT- (VOPTK6) (SPEC BACB30VT6K6) (OPT HST10AG6-6 (V06725)) (OPT HST10AG6-6 (V56878)) (OPT HST10AG6-6 (V73197))	B,C,N P,A W-BM	6
792	BACB30NW6K		..BOLT- (SIZE DETERMINE ON INST)	B,C,N P,A W-BM	8
793	HST10AG6-5		..BOLT- (VOPTK6) (SPEC BACB30VT6K5) (OPT HST10AG6-5 (V06725)) (OPT HST10AG6-5 (V56878)) (OPT HST10AG6-5 (V73197))	B,C,N P,A W-BM	4
794	HL79-6		..COLLAR- (V56878) (SPEC BACC30M6) (OPT HL79-6 (V73197)) (OPT HL79-6 (V92215)) (OPT 66014-6 (V56878)) (OPT HL79-6 (V5M902))	B,C,N P,A W-BM	12

# 57-43-55

 ILLUSTRATED PARTS LIST  
 01.1 Page 1056F  
 Nov 01/00

**BOEING**  
COMPONENT  
MAINTENANCE MANUAL

FIG. & ITEM	PART NO.	AIRLINE PART NUMBER	NOMENCLATURE 1234567	EFF CODE	QTY PER ASSY
03-795	HST79CY6		..COLLAR- (V73197) (SPEC BACC30BL6) (OPT HST79-6 (V56878)) (OPT HST79-6 (V92215)) (OPT HST79-6 (V5M902))	B,C,N ,P,A W-BM	10
796	BACR15FT6AD		DELETED		
798	BACS4OR09C25F		..SHIM  -----*-----	B,C,N ,P,A  W-BM	1
800	BACB28AM13B040A		...BUSHING	B,C,N ,P,A W-BM	1
802	BACB28AP09P039		...BUSHING	B,C,N ,P,A W-BM	1
804	BACR15BA3AD		...RIVET- (SIZE DETERMINE ON INST)	B,C,N ,P,A W-BM	44
806	BACN10JQ33		...NUTPLATE	B,C,N ,P,A W-BM	18
808	NS103225-02		...NUTPLATE- (V80539) (SPEC BACN10KH3) (OPT RMF9209M3 (V72962)) (OPT F29779-3 (V15653))	B,C,N ,P,A W-BM	4
810	NAS1195DD3KH		...SHIM	B,C,N ,P,A W-BM	2
812	114T4407-19		...RIB	B,C,A W-BD	1

57-43-55

FIG. & ITEM	PART NO.	AIRLINE PART NUMBER	NOMENCLATURE 1234567	EFF CODE	QTY PER ASSY
03- -814	114T4407-20		...RIB	N,P,B E-BM	1
816	BACR15BB4A		..RIVET- (SIZE DETERMINE ON INST)	B,C,N ,P,A W-BM	4
818	BACR15CE6KE		..RIVET- (SIZE DETERMINE ON INST)	B,C,N ,P,A W-BM	119
820	BACR15CE6KE		..RIVET- (SIZE DETERMINE ON INST) (USED ON ITEMS 7A, 8A)	B,C,N ,P,A W-BM	4
822	BACR15CE5KE		..RIVET- (SIZE DETERMINE ON INST)	B,C,N ,P,A W-BM	8
824	BACR15CE5KE		..RIVET- (SIZE DETERMINE ON INST) (USED ON ITEMS 7A, 8A)	B,C,N ,P,A W-BM	8
826	BACB30NW6K		..BOLT- (SIZE DETERMINE ON INST)	B,C,N ,P,A W-BM	8
828	HL79-6		..COLLAR- (V56878) (SPEC BACC30M6) (OPT HL79-6 (V73197)) (OPT HL79-6 (V92215)) (OPT 66014-6 (V56878)) (OPT HL79-6 (V5M902))	B,C,N ,P,A W-BM	8
830	BACB30NU3K5		..BOLT- (USED ON ITEMS 7A, 8A)	B,C,N ,P,A W-BM	2

# 57-43-55



**BOEING**  
COMPONENT  
MAINTENANCE MANUAL

FIG. & ITEM	PART NO.	AIRLINE PART NUMBER	NOMENCLATURE 1234567	EFF CODE	QTY PER ASSY
03-832	AN960PD10		..WASHER- (USED ON ITEMS 7A, 8A)	B,C,N P,A W-BM	2
834	H10-3BAC		..NUT- (V15653) (SPEC BACN10JC3) (OPT NS202101-02 (V80539)) (OPT RMLH9075-3W (V72962)) (OPT T6S1032J (V71087)) (OPT VN303A02 (V92215)) (OPT 96-02 (V80539)) (OPT BRH10A3 (V52828)) (USED ON ITEMS 7A, 8A)	B,C,N P,A W-BM	2
836	114T4151-5		..PANEL-LWR CLOSURE	B,C,A W-BD	1
-838	114T4151-6		..PANEL-LWR CLOSURE	N,P,B E-BM	1
840	114T4151-7		..PANEL-LWR CLOSURE	B,C,A W-BD	1
-842	114T4151-8		..PANEL-LWR CLOSURE	N,P,B E-BM B,C,N P,A W-BM	1
960	114T4180-4		DELETED		
-960A	114T4180-14		DELETED		
-960B	114T4180-4		DELETED		
-960C	114T4180-14		DELETED		
-960D	114T4180-24		DELETED		
-960E	114T4180-34		DELETED		
965	ADB9V301NC		DELETED		
970	114T4180-9		DELETED		
-970A	114T4180-19		DELETED		
-970B	114T4180-29		DELETED		
-970C	114T4180-39		DELETED		

- Item Not Illustrated

\*(1)USE THIS HARDWARE WITH 114T4104-5007 AND 114T4104-5008 STRUCTURE ASSY

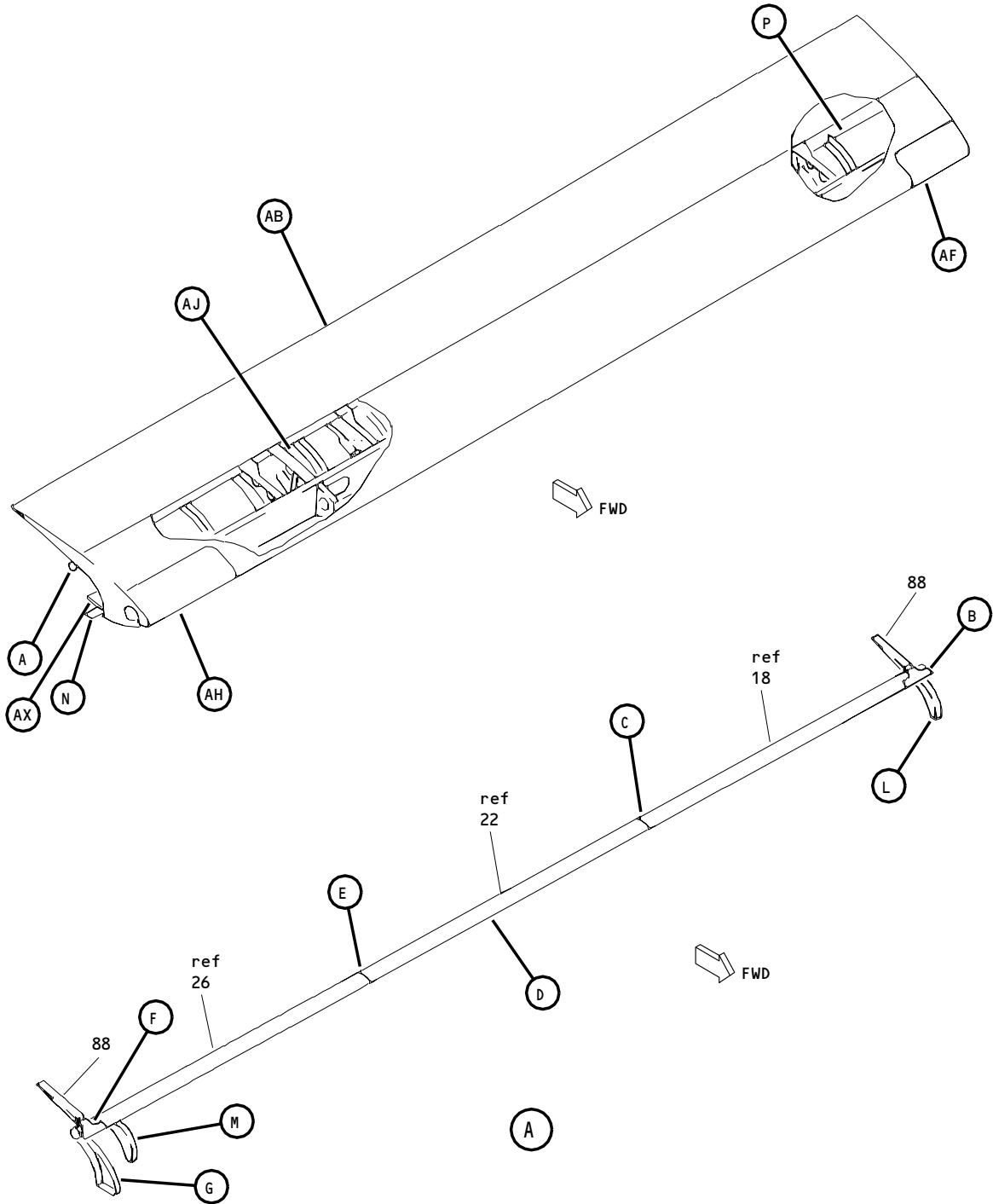
\*(2)USE THIS HARDWARE WITH 114T4104-5009 AND 114T4104-5010 STRUCTURE ASSY

**57-43-55**

ILLUSTRATED PARTS LIST

01.1 Page 1056I

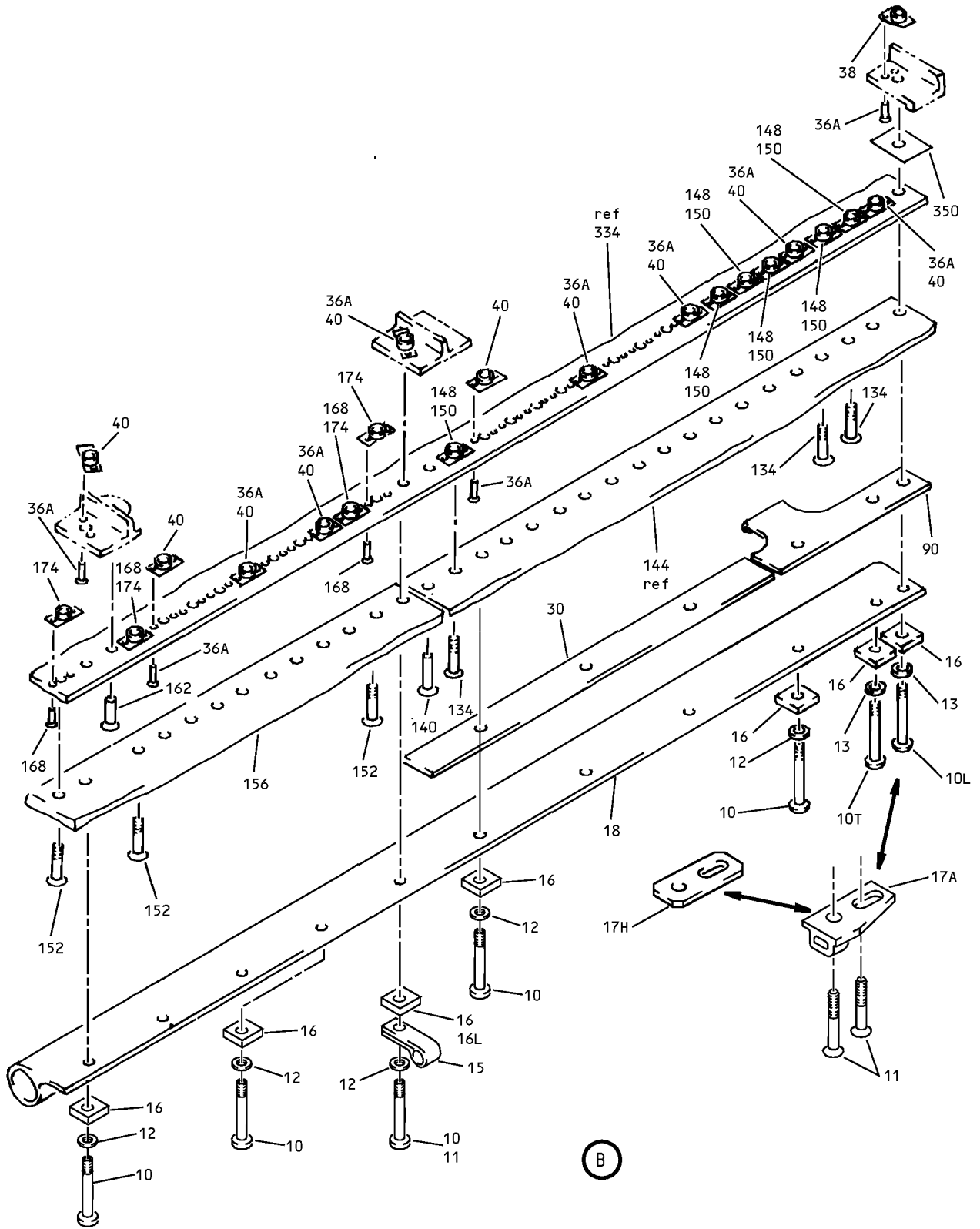
Nov 01/00



Outboard Slat No. 4 Wing Leading Edge Structure Assembly  
Figure 4 (Sheet 1)

**57-43-55**

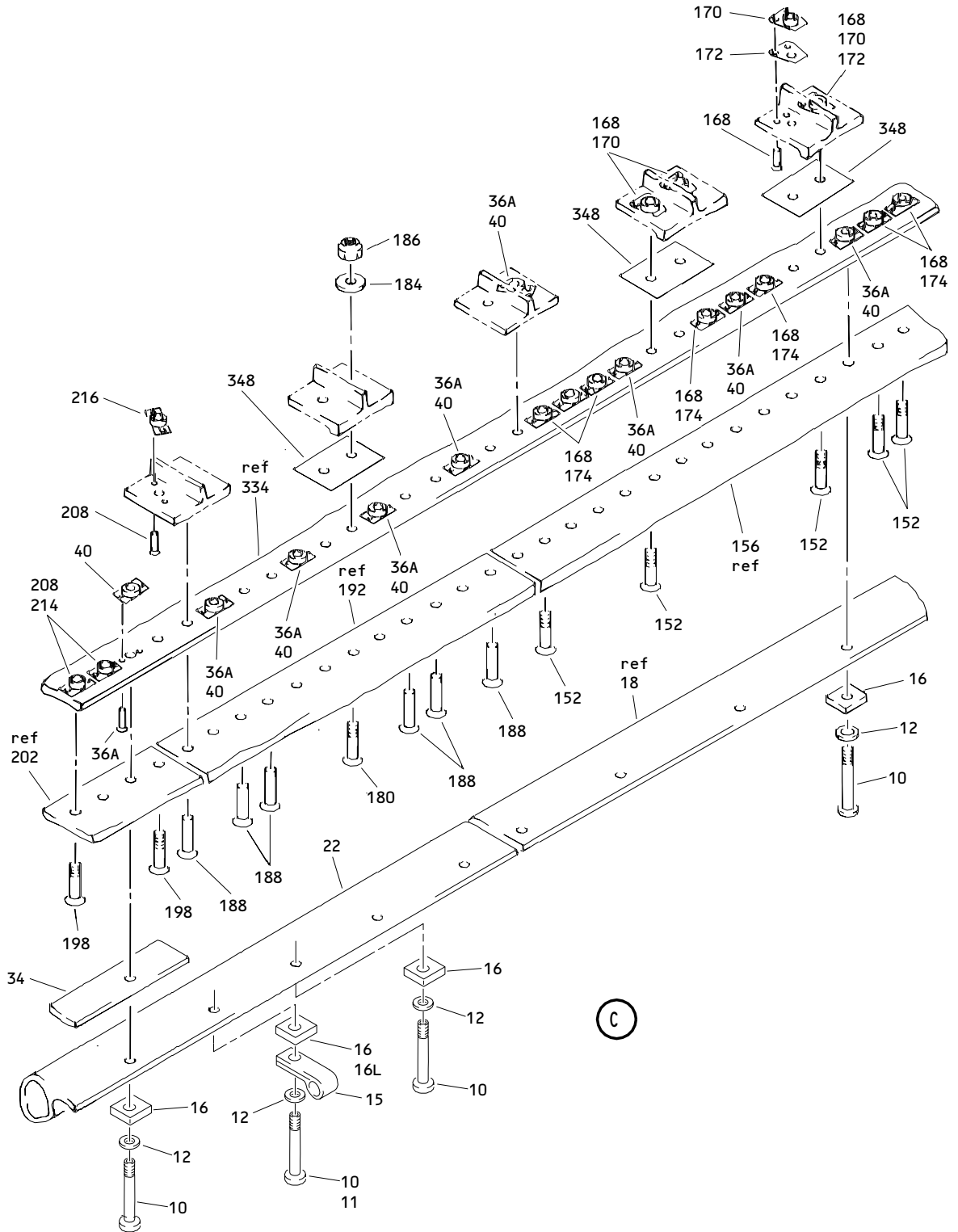
ILLUSTRATED PARTS LIST  
01.1 Page 1056K  
Nov 01/00



Outboard Slat No. 4 Wing Leading Edge Structure Assembly  
 Figure 4 (Sheet 2)

**57-43-55**

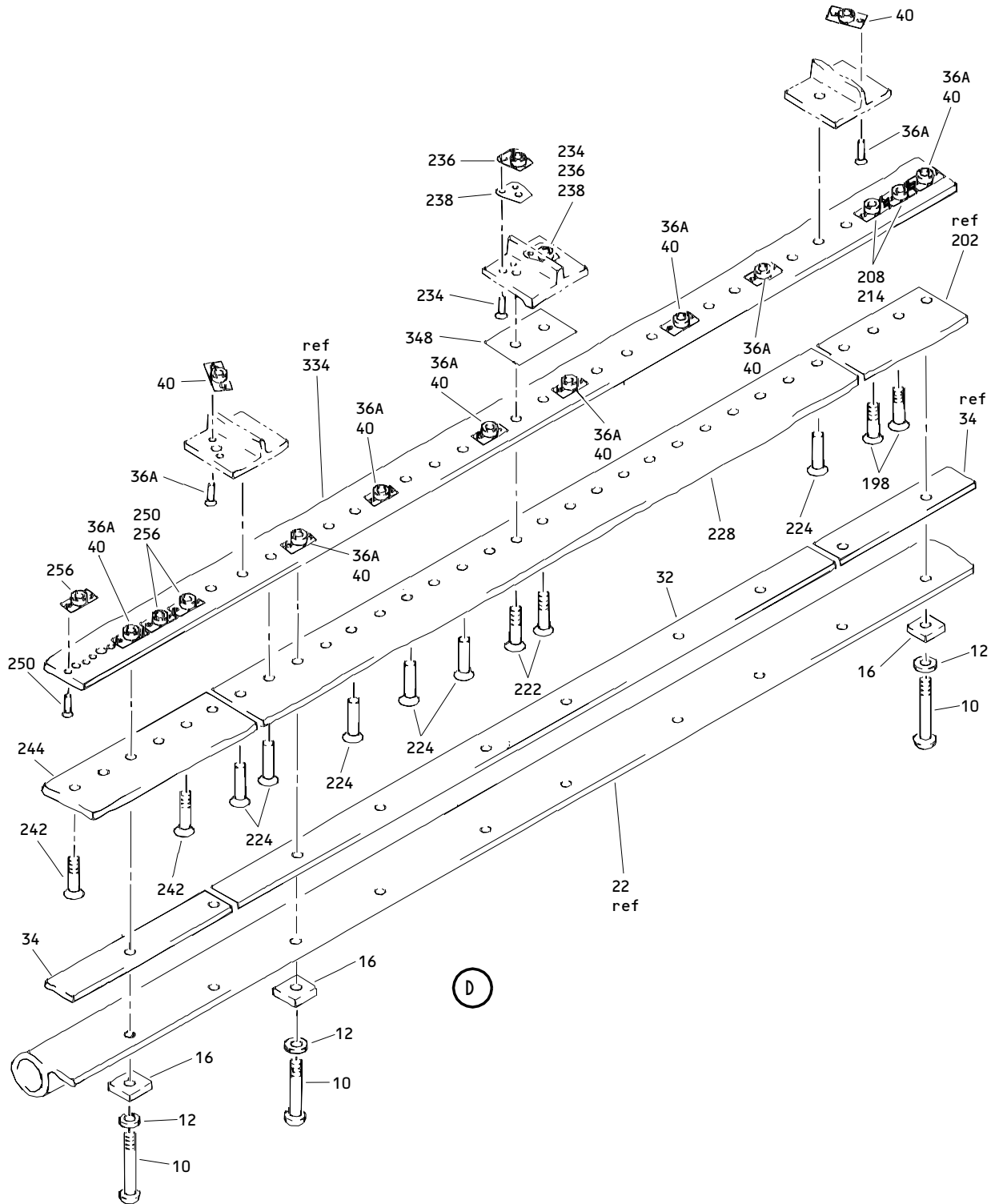
ILLUSTRATED PARTS LIST  
 01.1 Page 1056L  
 Nov 01/00



Outboard Slat No. 4 Wing Leading Edge Structure Assembly  
Figure 4 (Sheet 3)

**57-43-55**

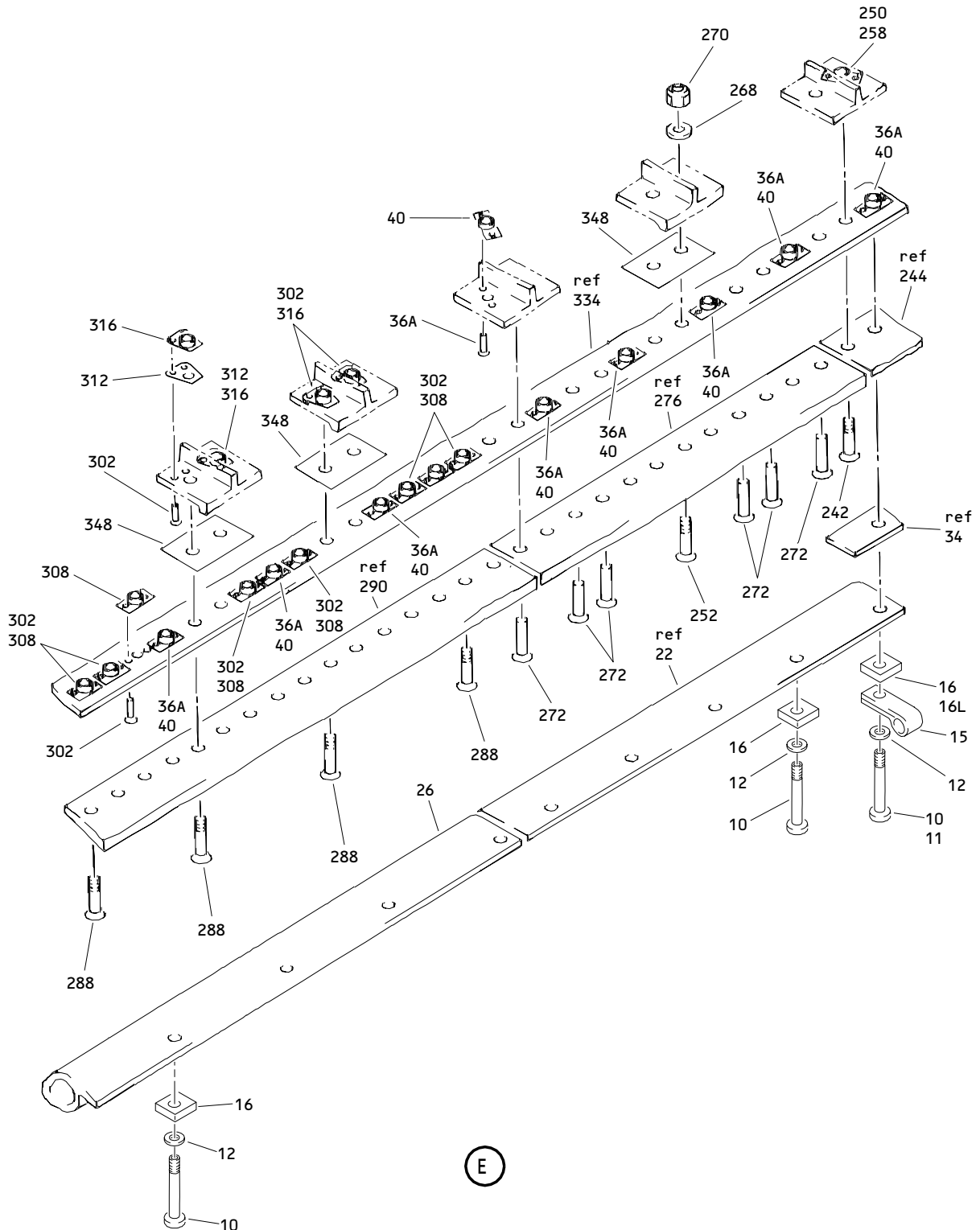
ILLUSTRATED PARTS LIST  
01.1 Page 1056M  
Nov 01/00



Outboard Slat No. 4 Wing Leading Edge Structure Assembly  
 Figure 4 (Sheet 4)

**57-43-55**

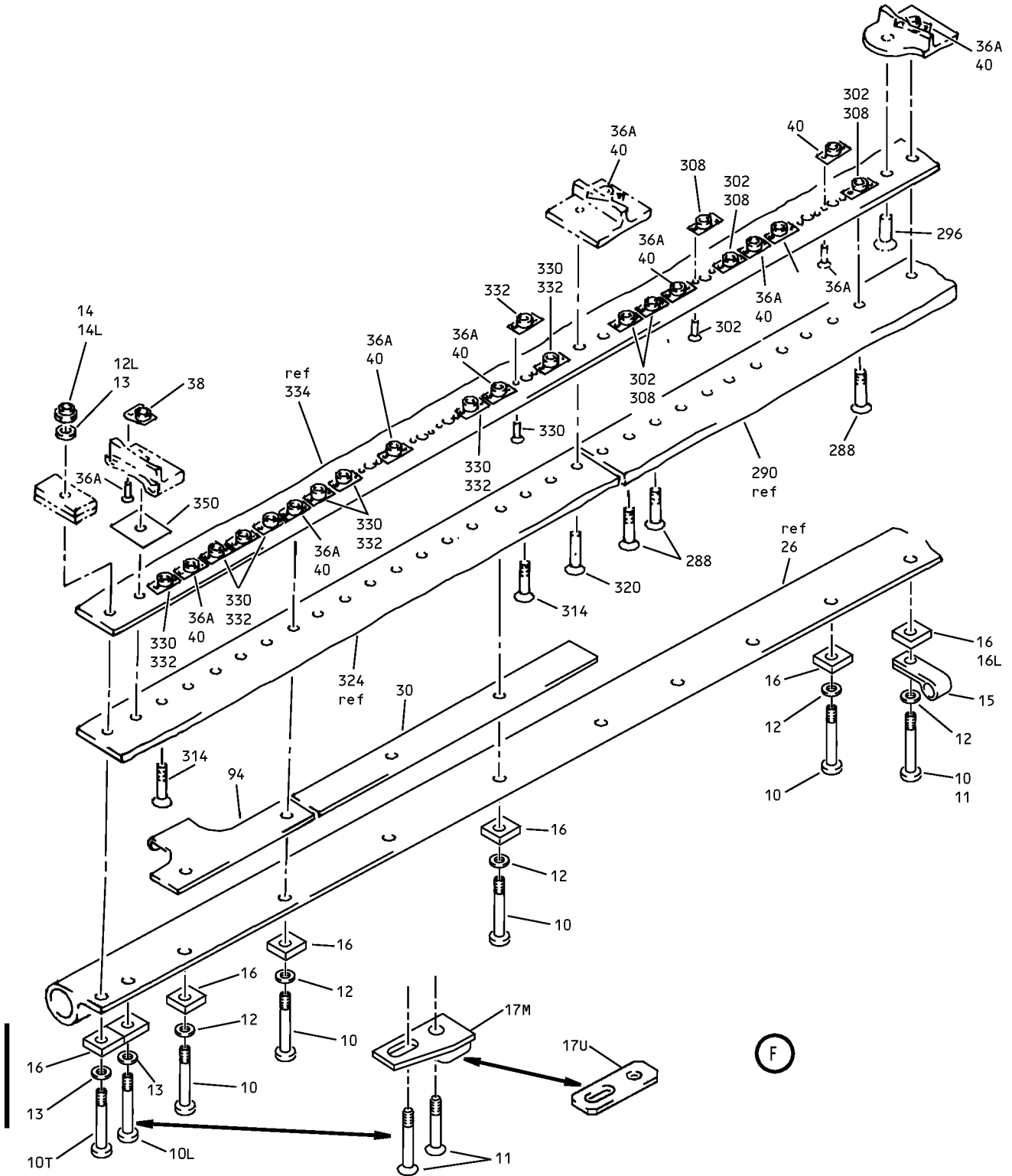
ILLUSTRATED PARTS LIST  
 01.1 Page 1056N  
 Nov 01/00



Outboard Slat No. 4 Wing Leading Edge Structure Assembly  
Figure 4 (Sheet 5)

**57-43-55**

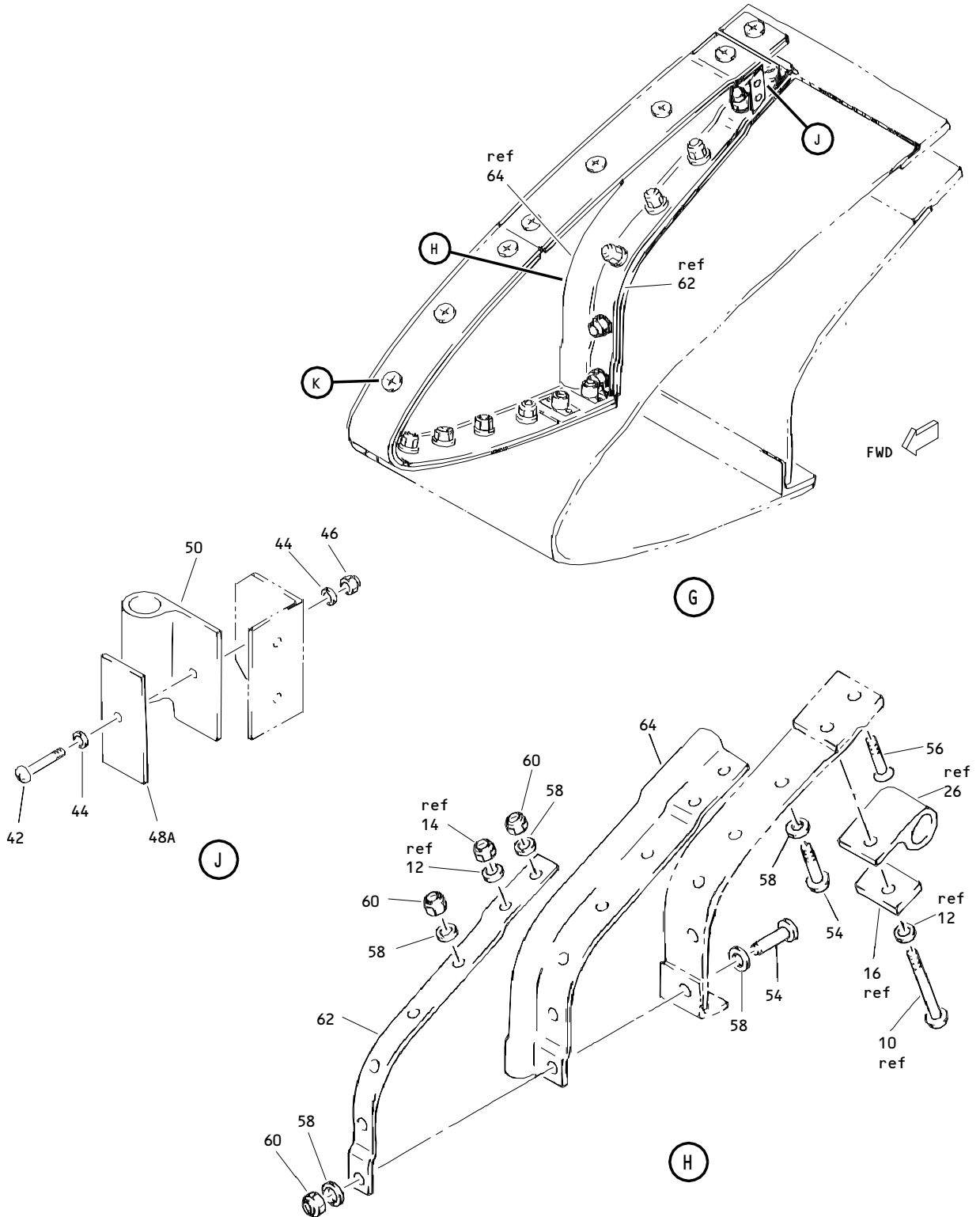
ILLUSTRATED PARTS LIST  
01.1 Page 10560  
Nov 01/00



Outboard Slat No. 4 Wing Leading Edge Structure Assembly  
 Figure 4 (Sheet 6)

**57-43-55**

ILLUSTRATED PARTS LIST  
 01.1 Page 1056P  
 Nov 01/00

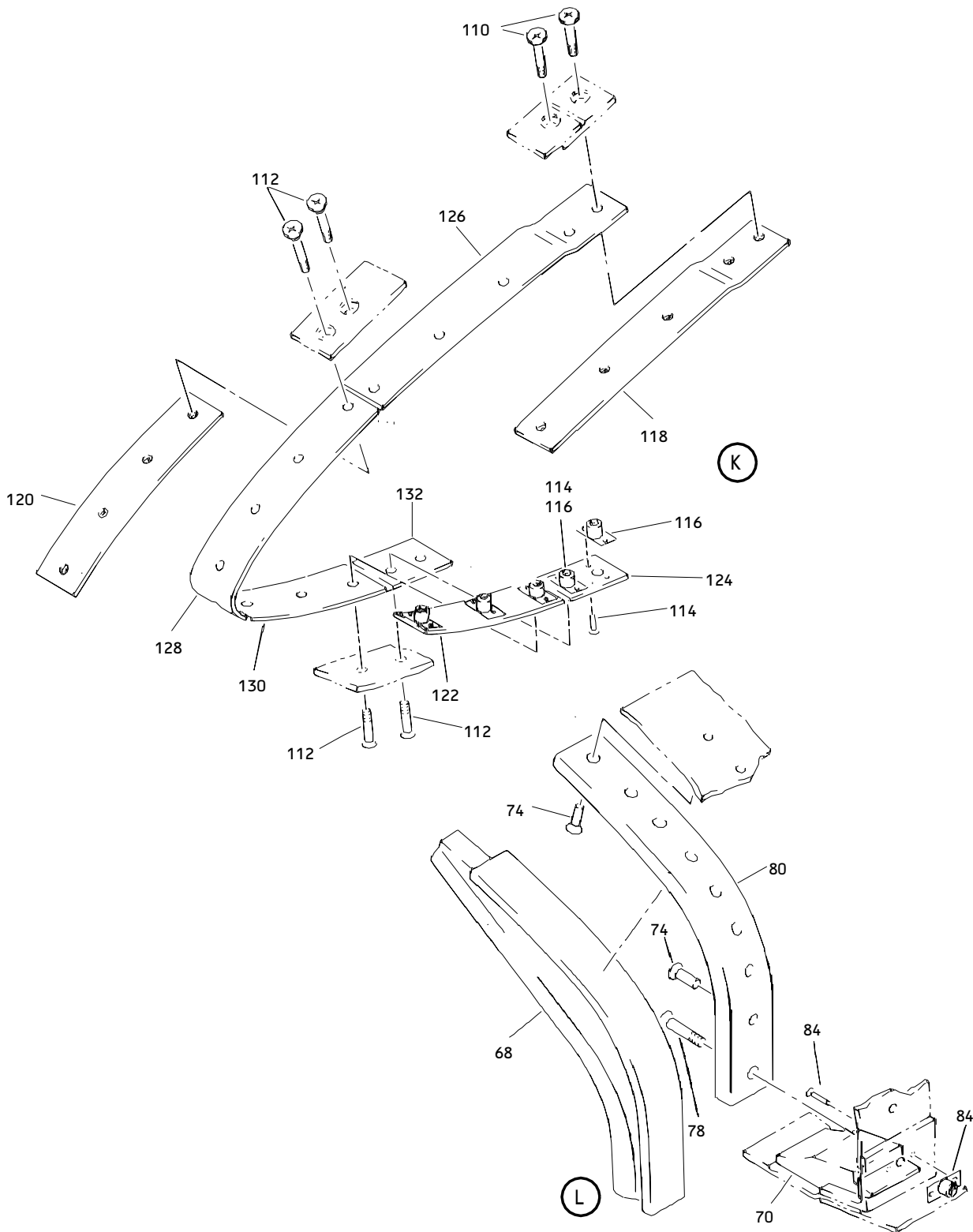


Outboard Slat No. 4 Wing Leading Edge Structure Assembly  
Figure 4 (Sheet 7)

**57-43-55**

ILLUSTRATED PARTS LIST  
01.1 Page 1056Q  
Nov 01/00

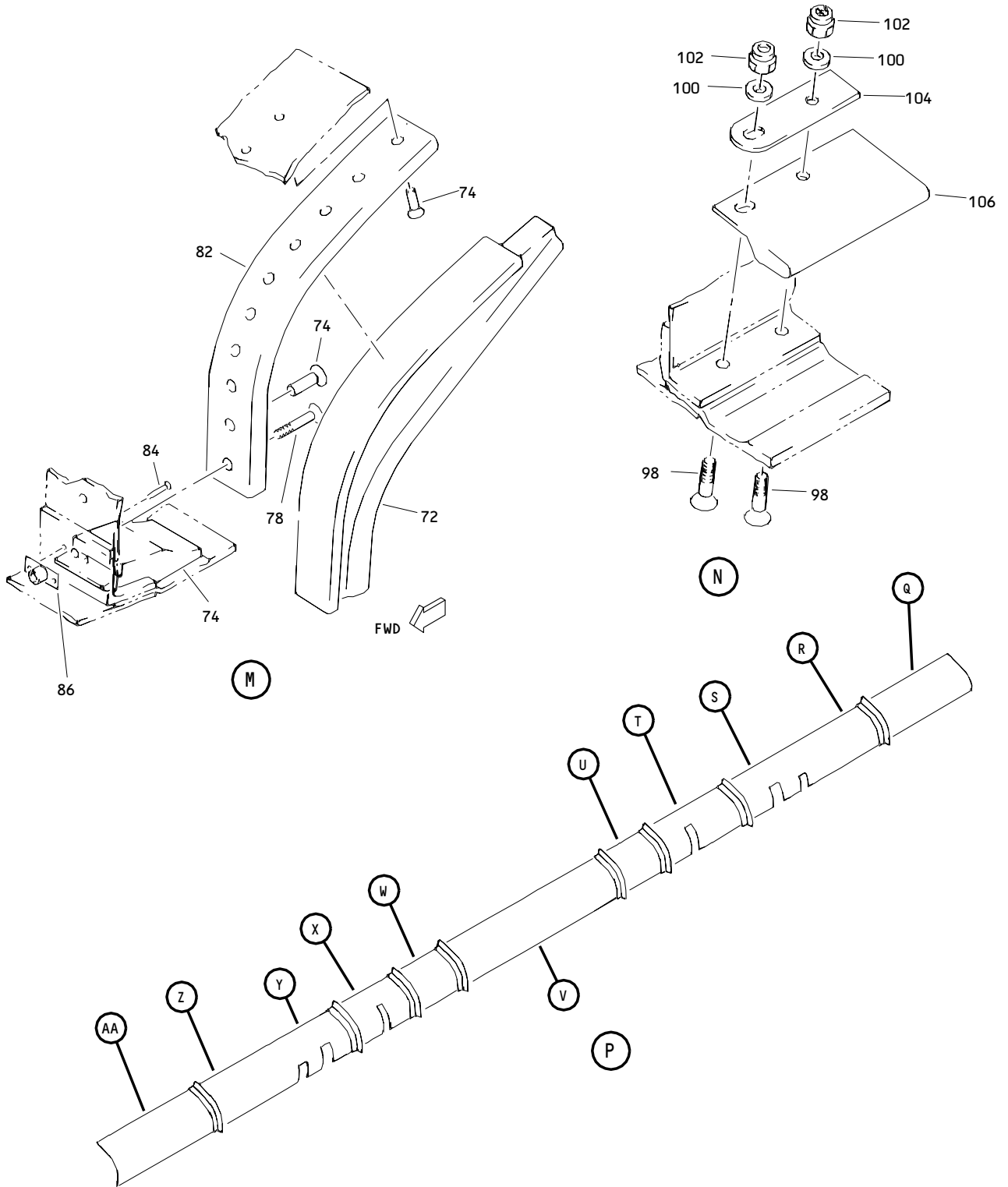




Outboard Slat No. 4 Wing Leading Edge Structure Assembly  
 Figure 4 (Sheet 8)

**57-43-55**

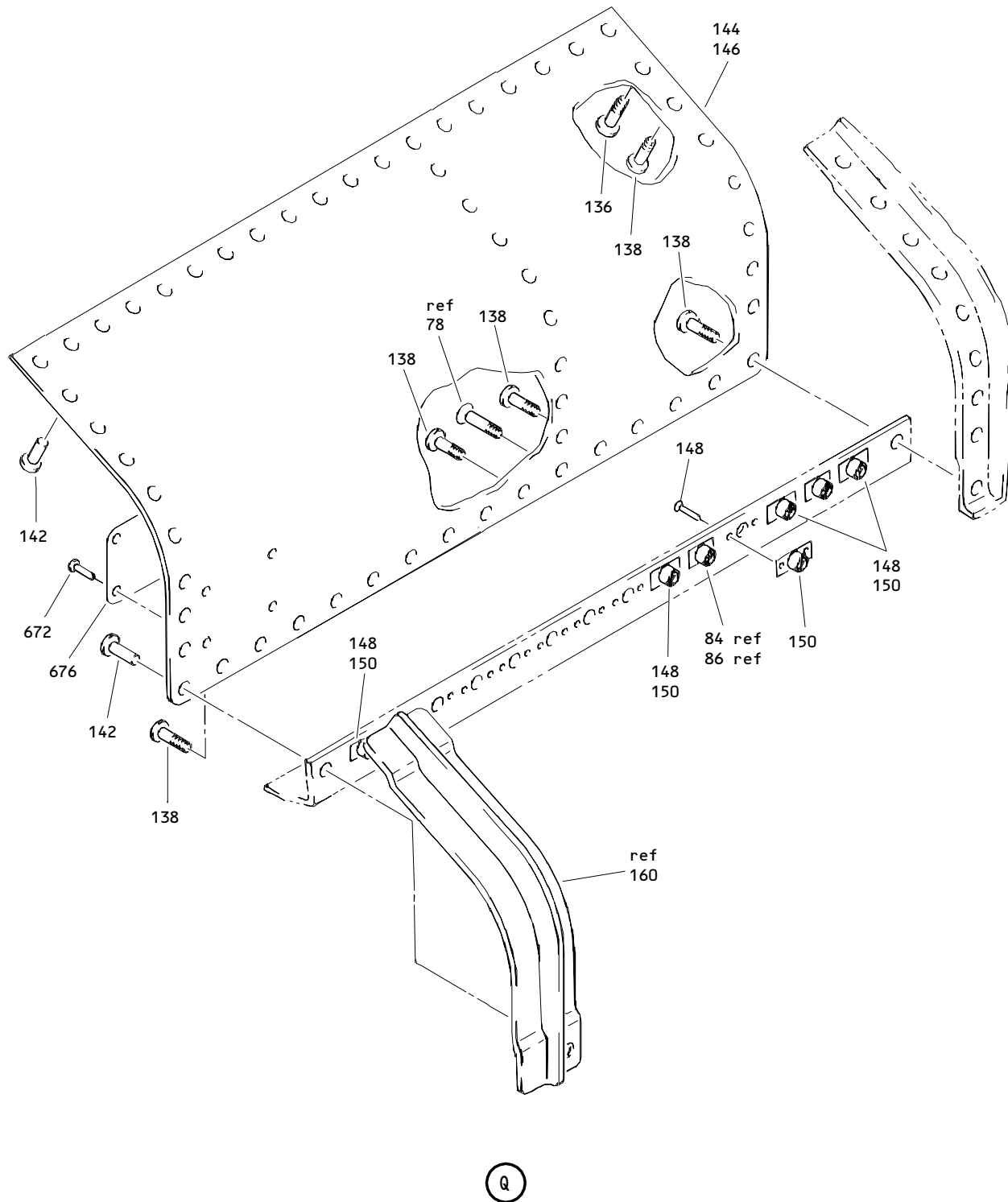
ILLUSTRATED PARTS LIST  
 01.1 Page 1056R  
 Nov 01/00



Outboard Slat No. 4 Wing Leading Edge Structure Assembly  
Figure 4 (Sheet 9)

**57-43-55**

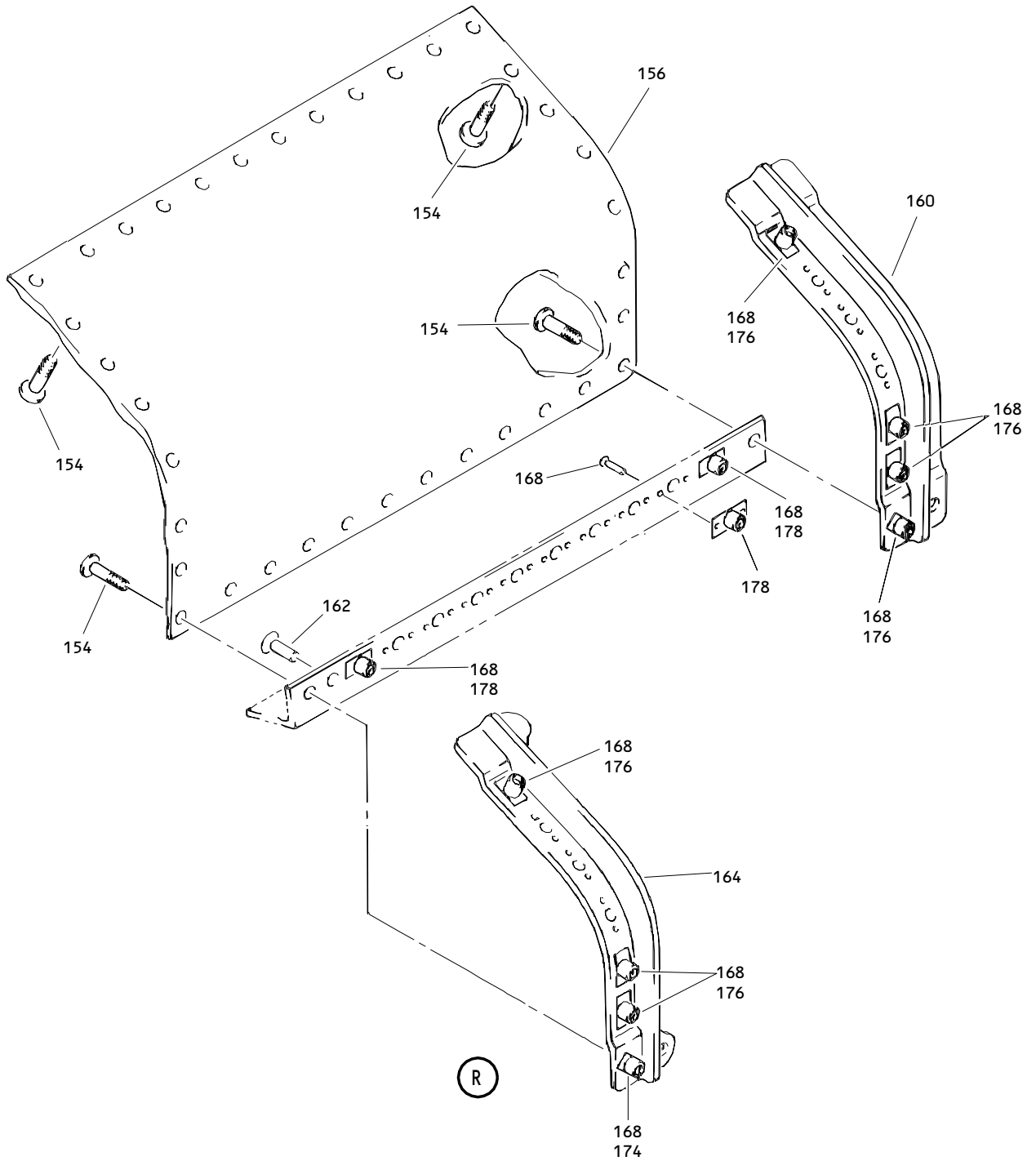
ILLUSTRATED PARTS LIST  
01.1 Page 1056S  
Nov 01/00



Outboard Slat No. 4 Wing Leading Edge Structure Assembly  
 Figure 4 (Sheet 10)

**57-43-55**

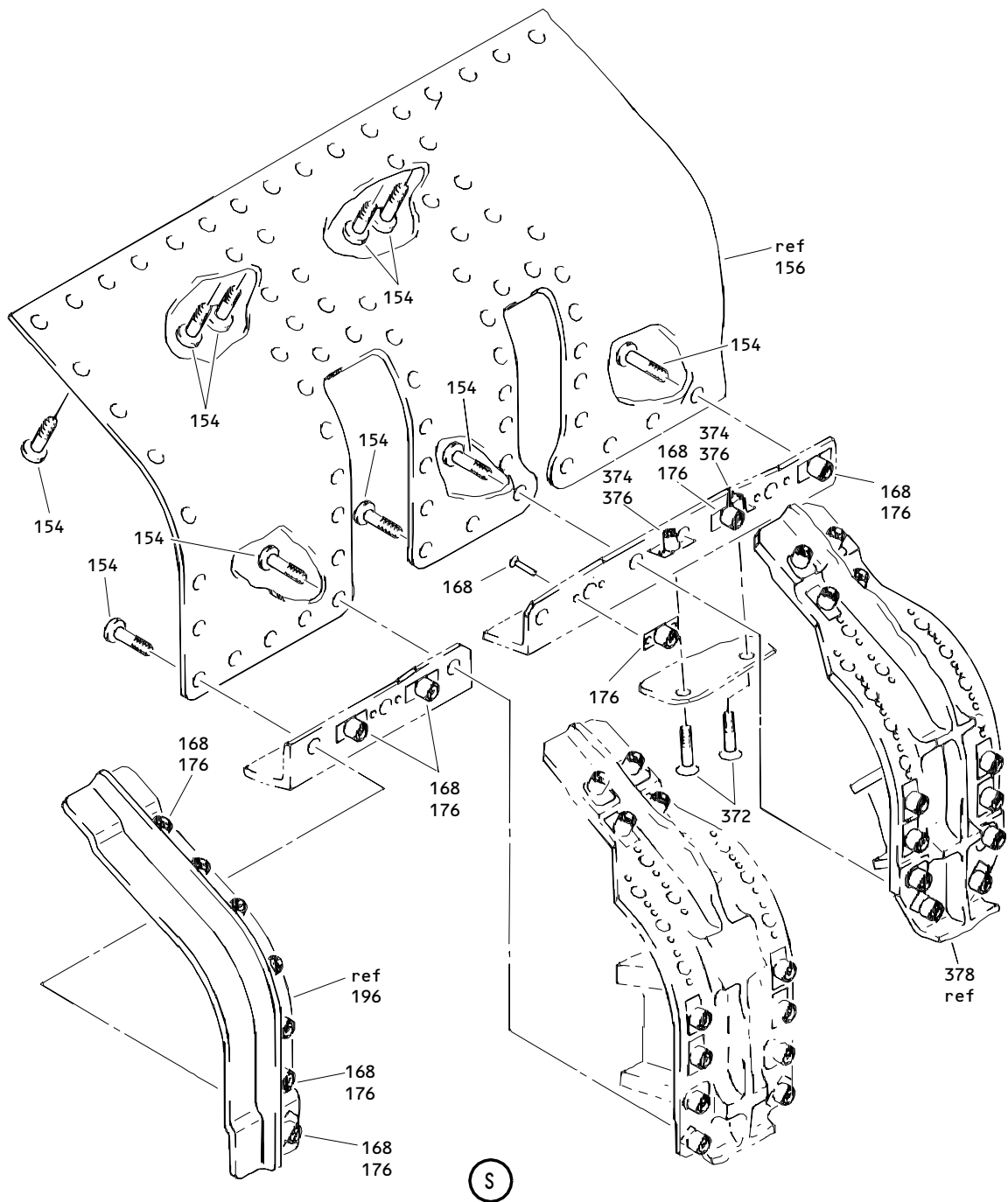
ILLUSTRATED PARTS LIST  
 01.1 Page 1056T  
 Nov 01/00



Outboard Slat No. 4 Wing Leading Edge Structure Assembly  
Figure 4 (Sheet 11)

**57-43-55**

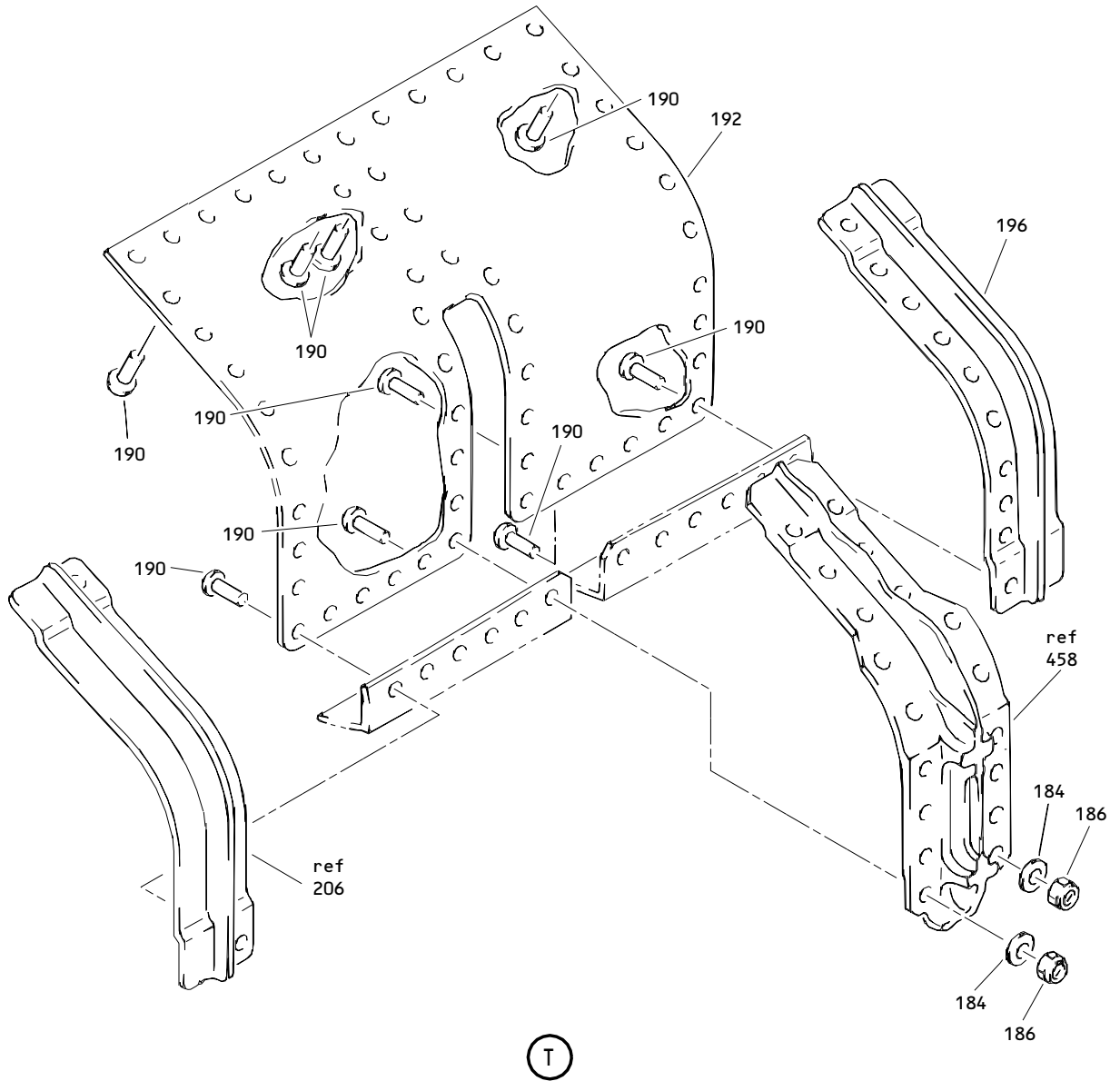
ILLUSTRATED PARTS LIST  
01.1 Page 1056U  
Nov 01/00



Outboard Slat No. 4 Wing Leading Edge Structure Assembly  
 Figure 4 (Sheet 12)

**57-43-55**

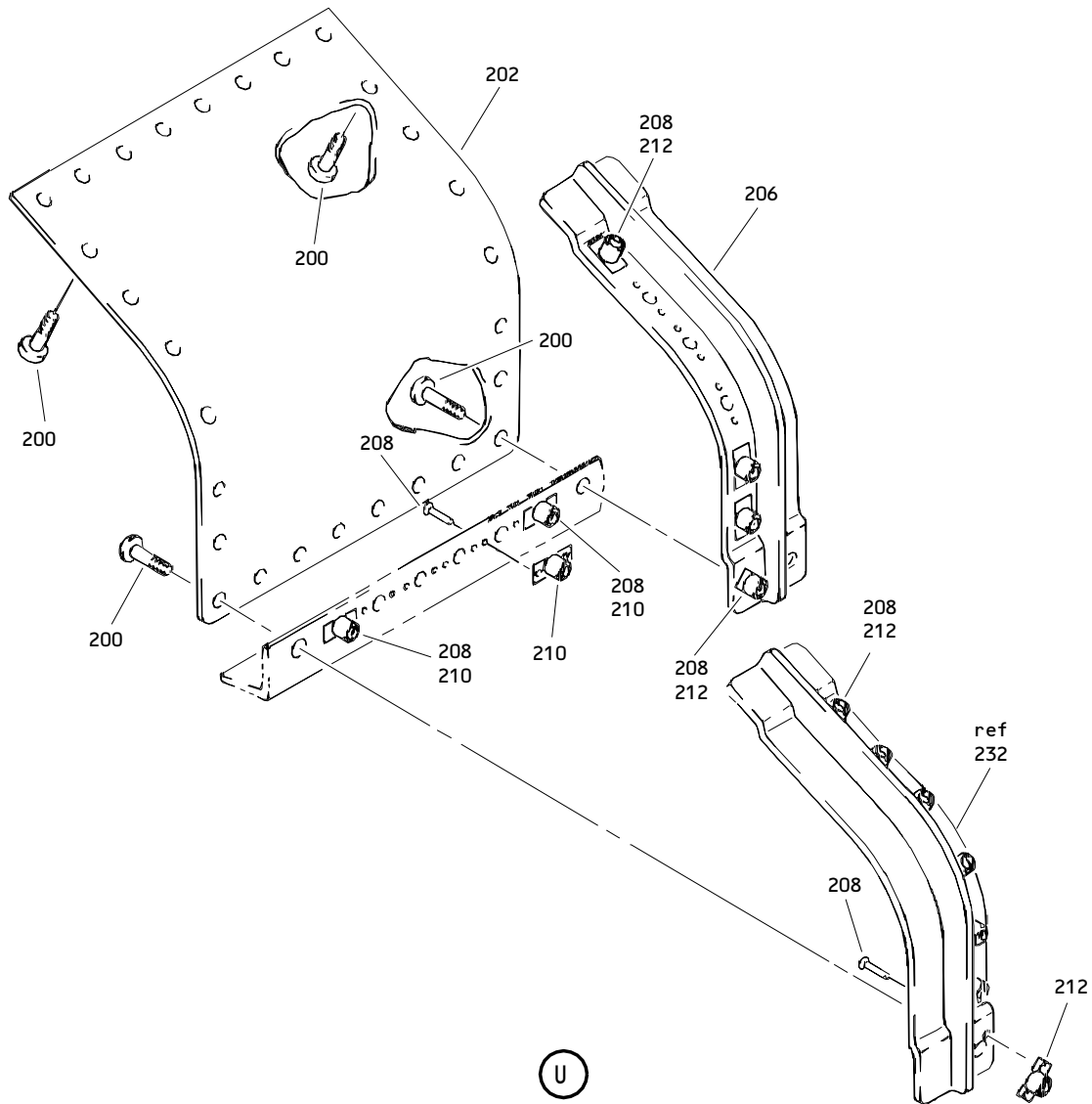
ILLUSTRATED PARTS LIST  
 01.1 Page 1056V  
 Nov 01/00



Outboard Slat No. 4 Wing Leading Edge Structure Assembly  
Figure 4 (Sheet 13)

**57-43-55**

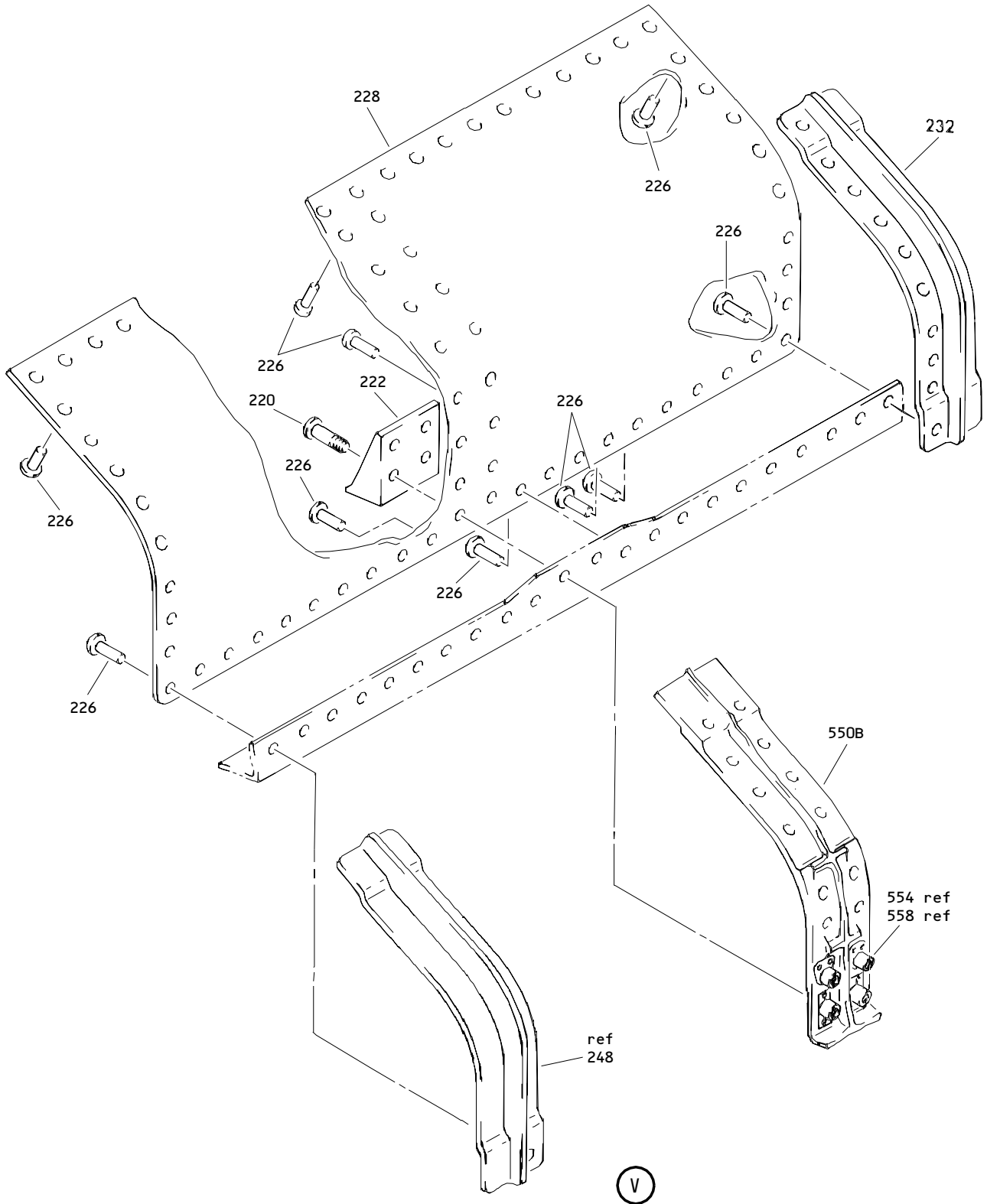
ILLUSTRATED PARTS LIST  
01.1 Page 1056W  
Nov 01/00



Outboard Slat No. 4 Wing Leading Edge Structure Assembly  
Figure 4 (Sheet 14)

**57-43-55**

ILLUSTRATED PARTS LIST  
01.1 Page 1056X  
Nov 01/00

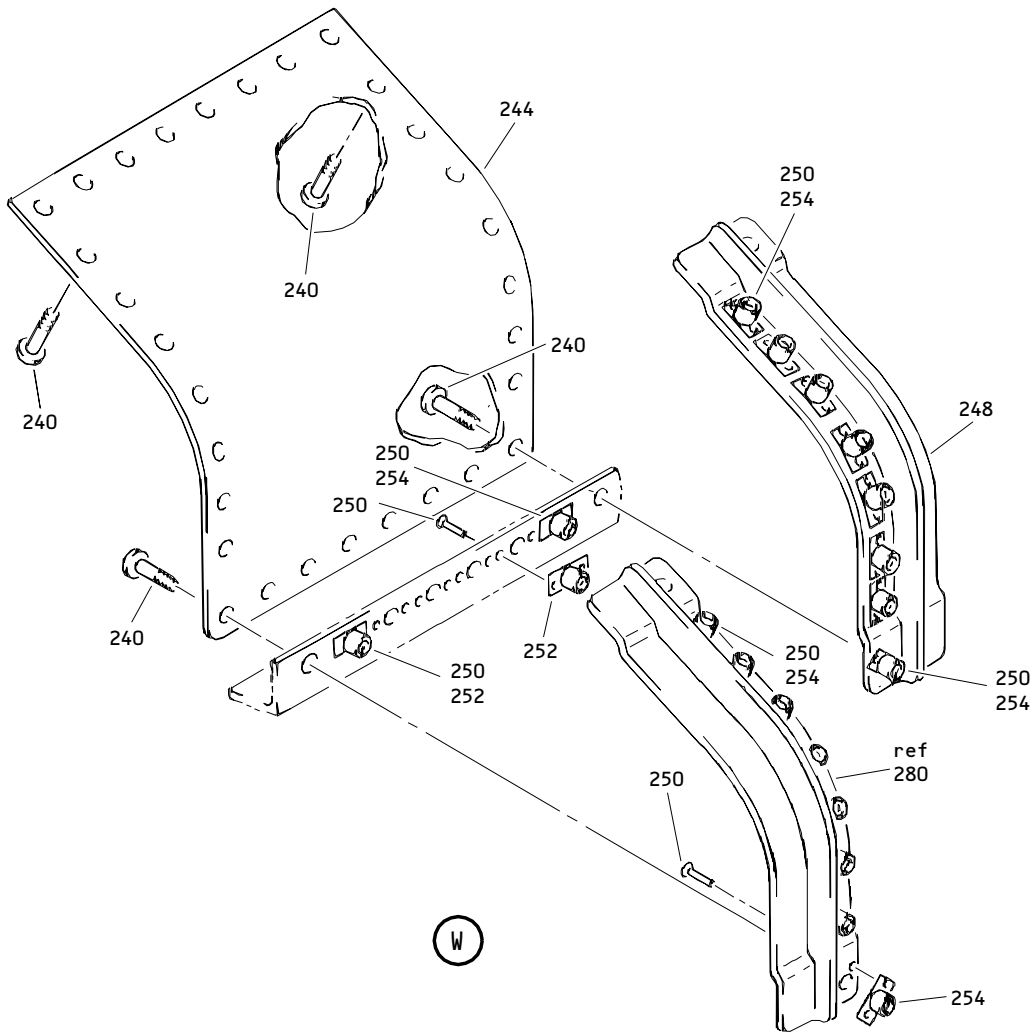


Outboard Slat No. 4 Wing Leading Edge Structure Assembly  
Figure 4 (Sheet 15)

**57-43-55**

ILLUSTRATED PARTS LIST  
01.1 Page 1056Y  
Nov 01/00

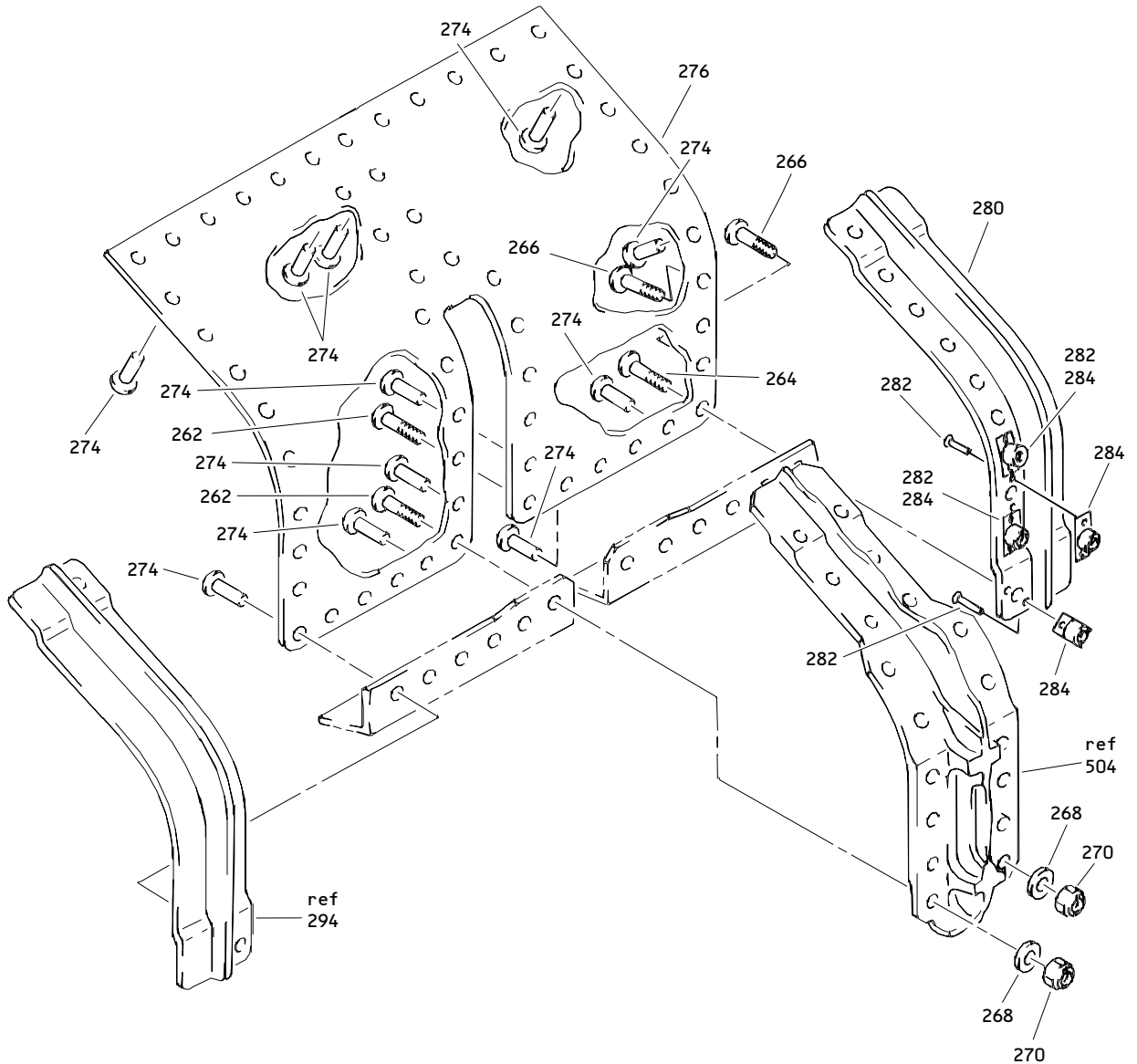




Outboard Slat No. 4 Wing Leading Edge Structure Assembly  
 Figure 4 (Sheet 16)

**57-43-55**

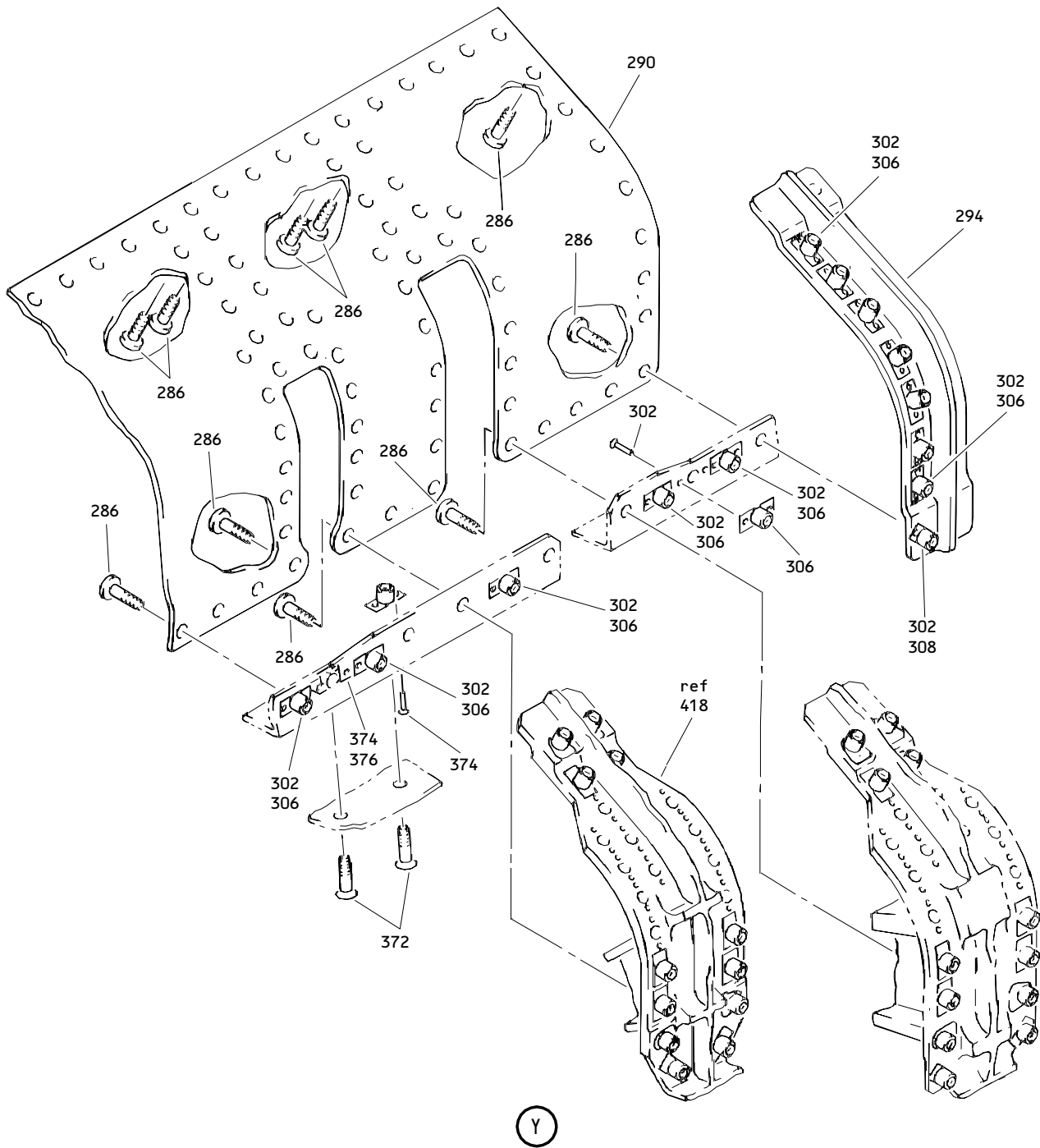
ILLUSTRATED PARTS LIST  
 01.1 Page 1056Z  
 Nov 01/00



Outboard Slat No. 4 Wing Leading Edge Structure Assembly  
Figure 4 (Sheet 17)

**57-43-55**

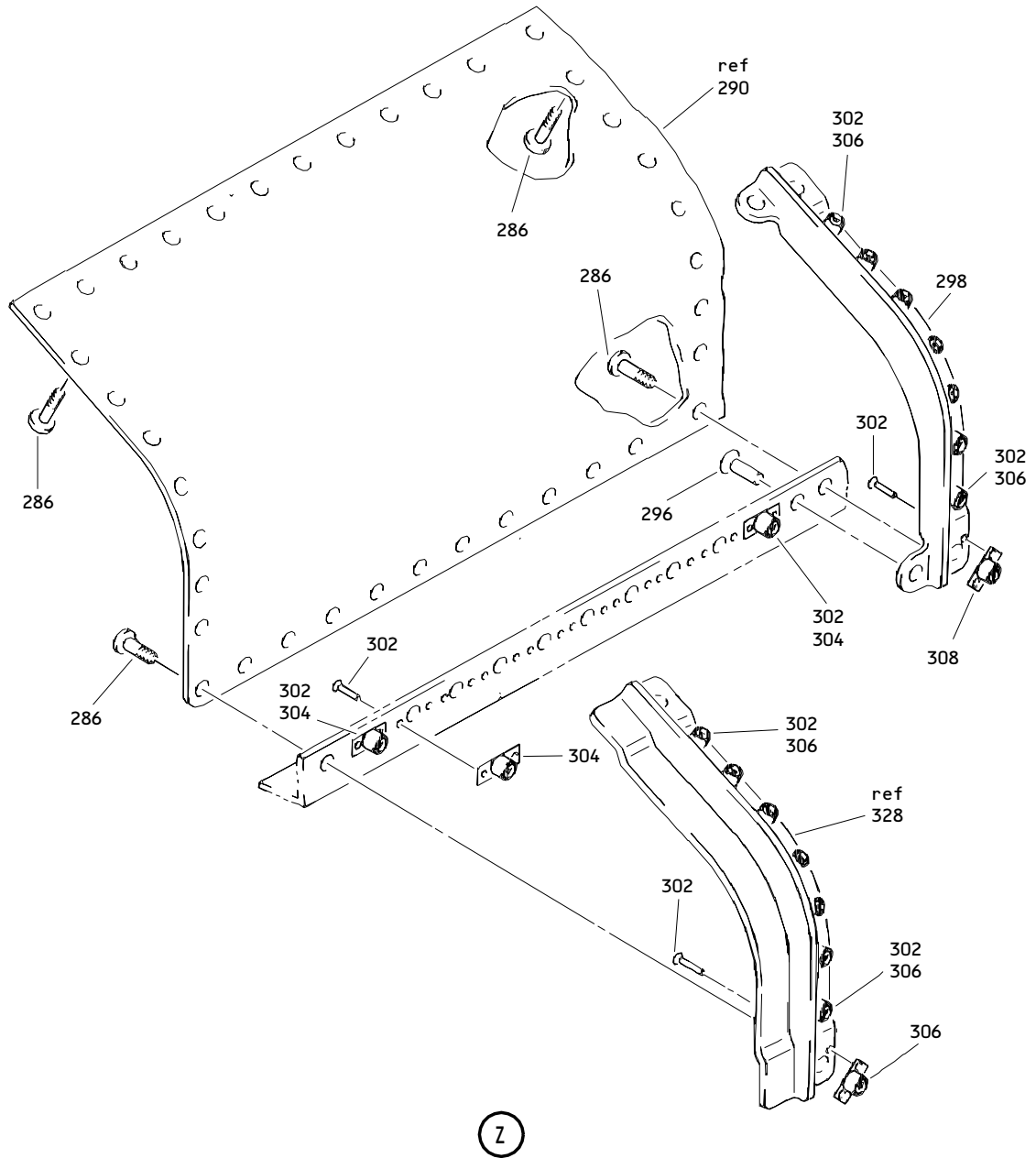
ILLUSTRATED PARTS LIST  
01.1 Page 1057  
Nov 01/00



Outboard Slat No. 4 Wing Leading Edge Structure Assembly  
 Figure 4 (Sheet 18)

**57-43-55**

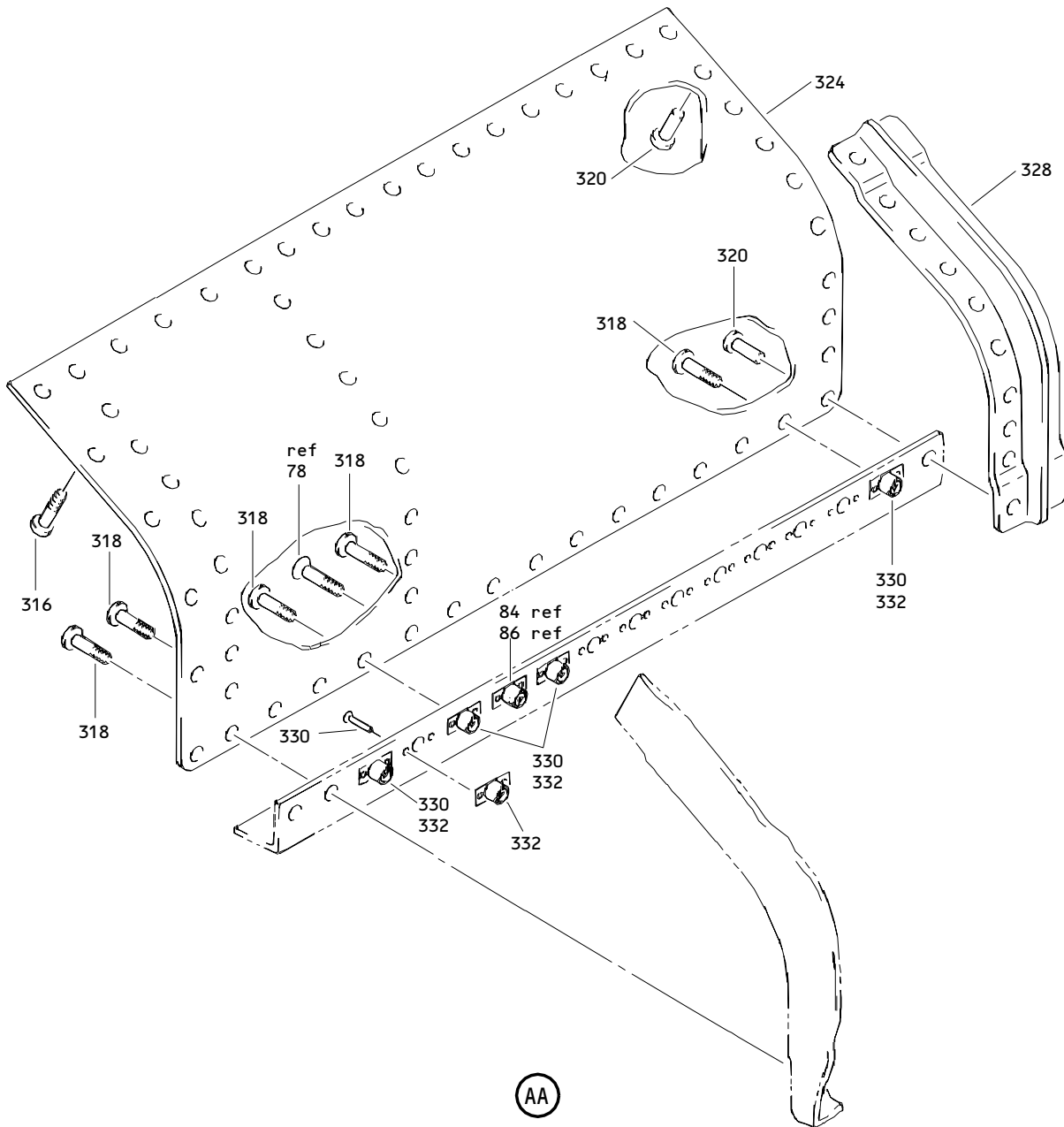
ILLUSTRATED PARTS LIST  
 01.1 Page 1058  
 Nov 01/00



Outboard Slat No. 4 Wing Leading Edge Structure Assembly  
Figure 4 (Sheet 19)

**57-43-55**

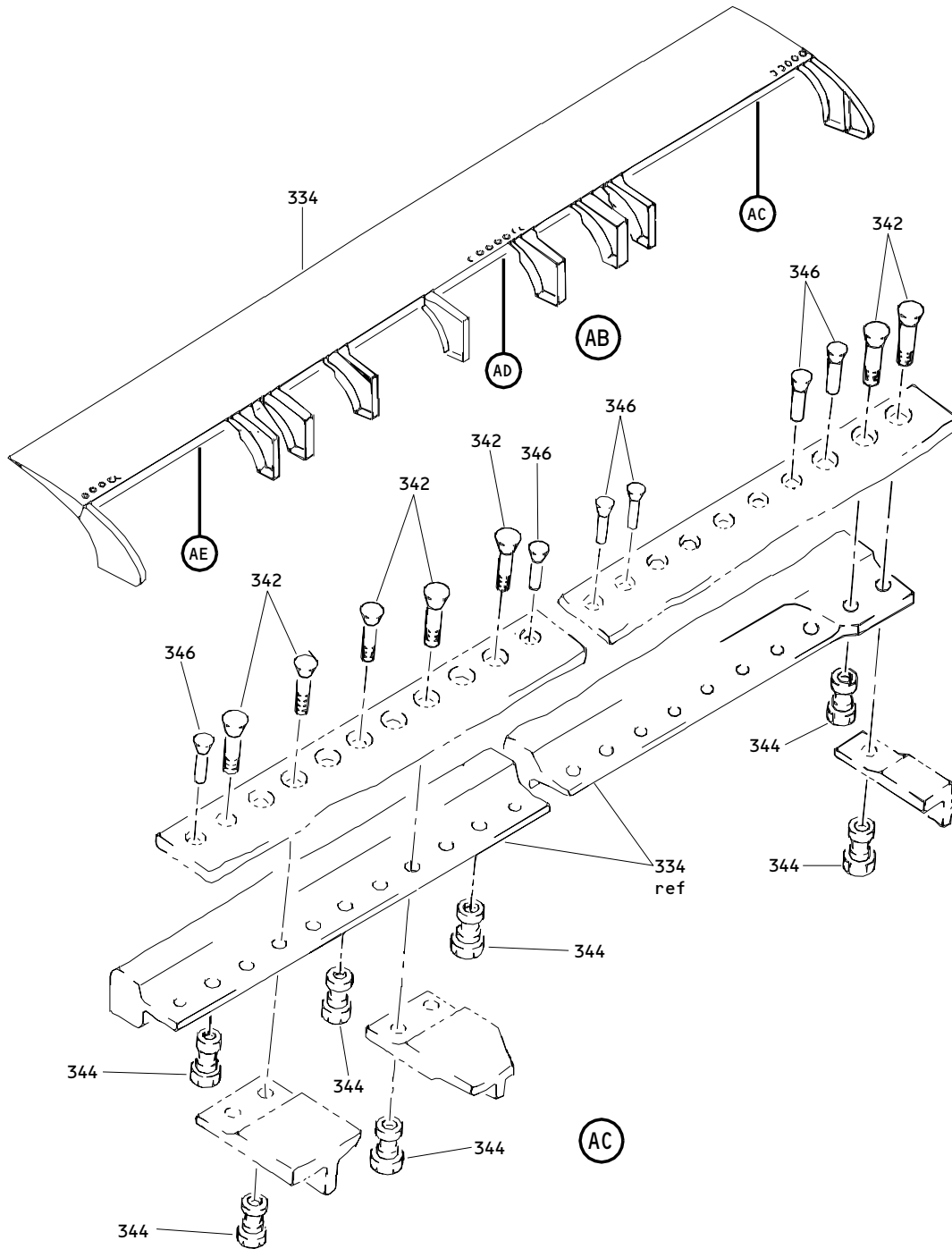
ILLUSTRATED PARTS LIST  
01.1 Page 1058A  
Nov 01/00



Outboard Slat No. 4 Wing Leading Edge Structure Assembly  
 Figure 4 (Sheet 20)

**57-43-55**

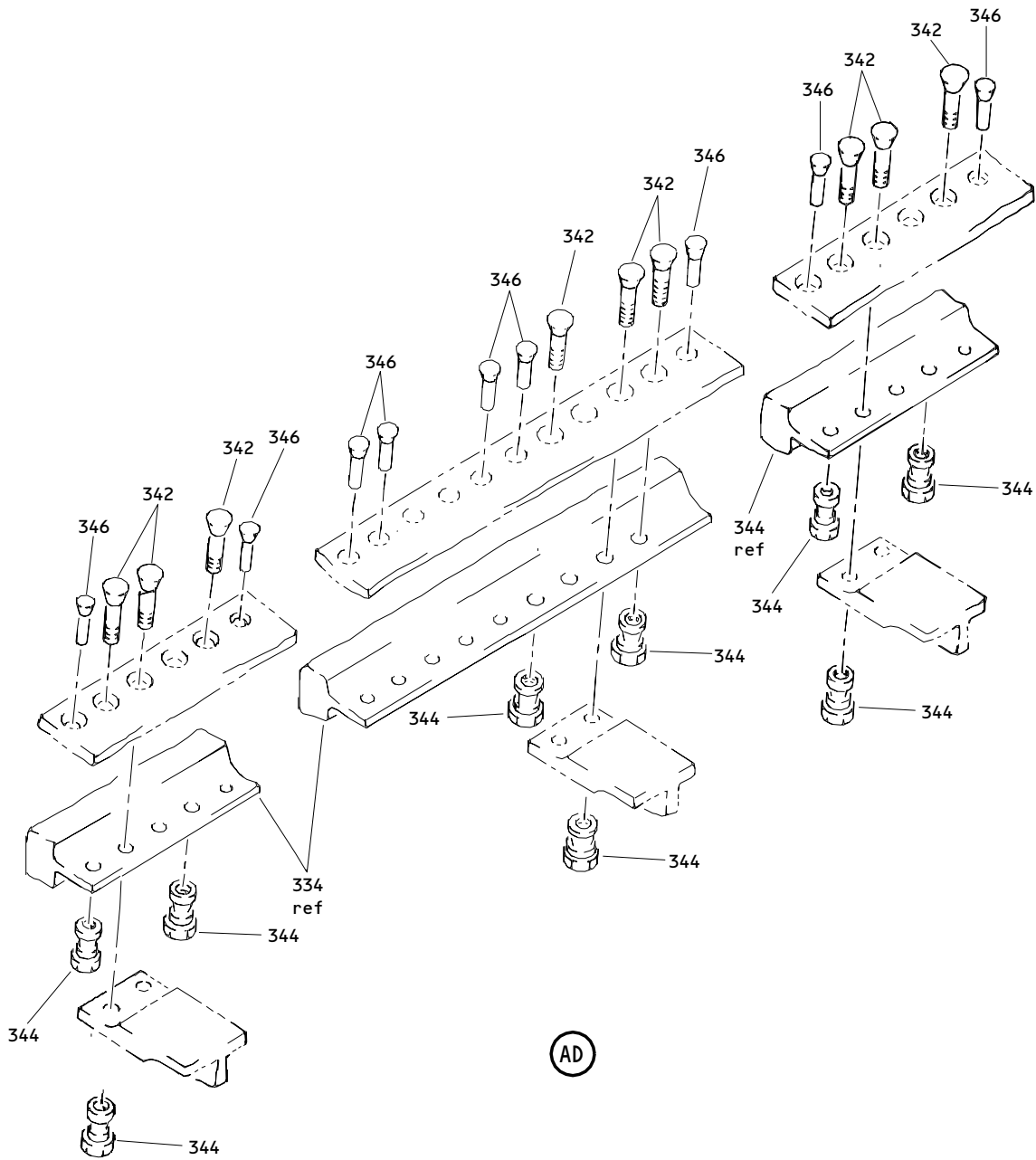
ILLUSTRATED PARTS LIST  
 01.1 Page 1058B  
 Nov 01/00



Outboard Slat No. 4 Wing Leading Edge Structure Assembly  
Figure 4 (Sheet 21)

**57-43-55**

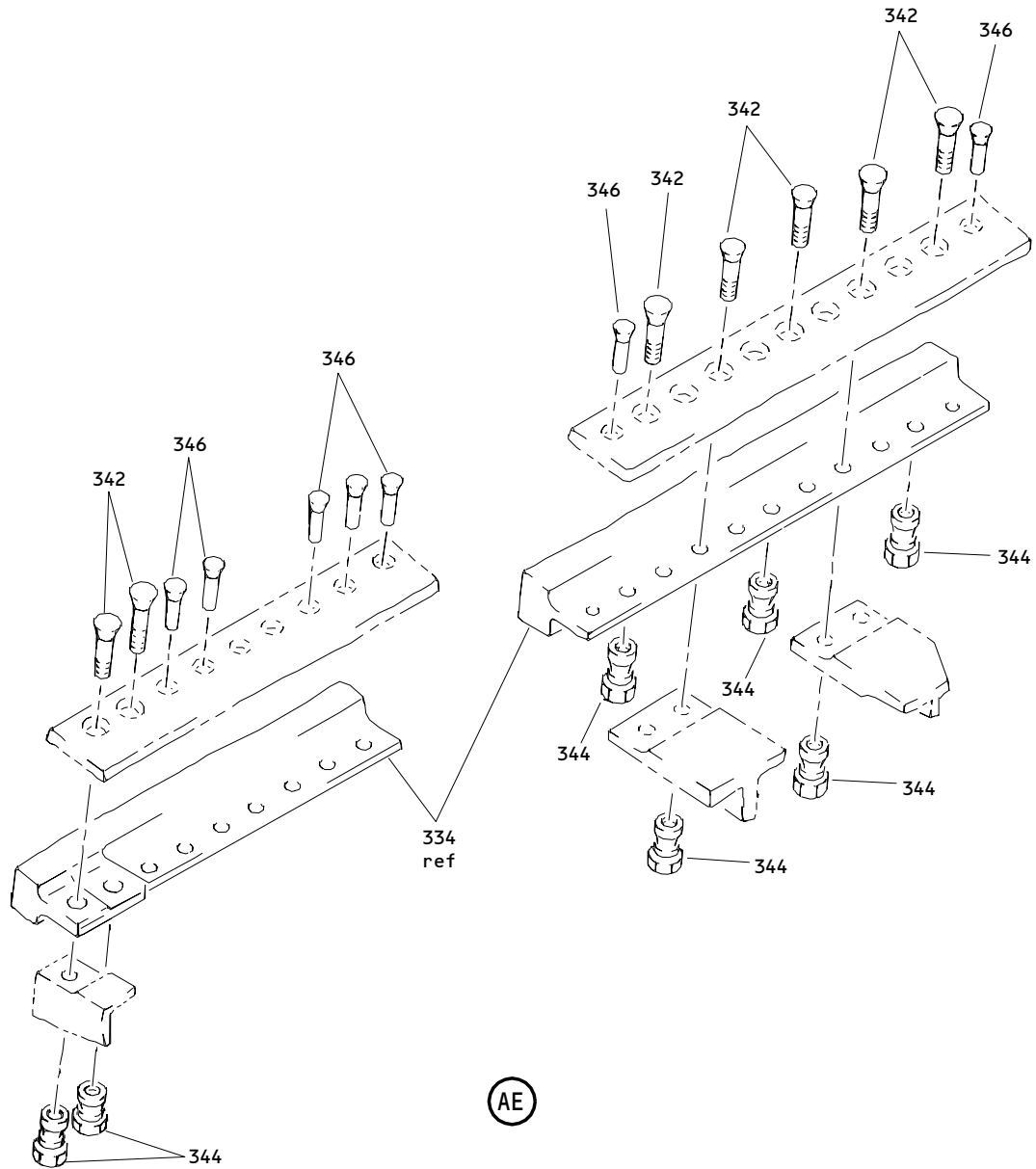
ILLUSTRATED PARTS LIST  
01.1 Page 1058C  
Nov 01/00



Outboard Slat No. 4 Wing Leading Edge Structure Assembly  
 Figure 4 (Sheet 22)

**57-43-55**

ILLUSTRATED PARTS LIST  
 01.1 Page 1058D  
 Nov 01/00

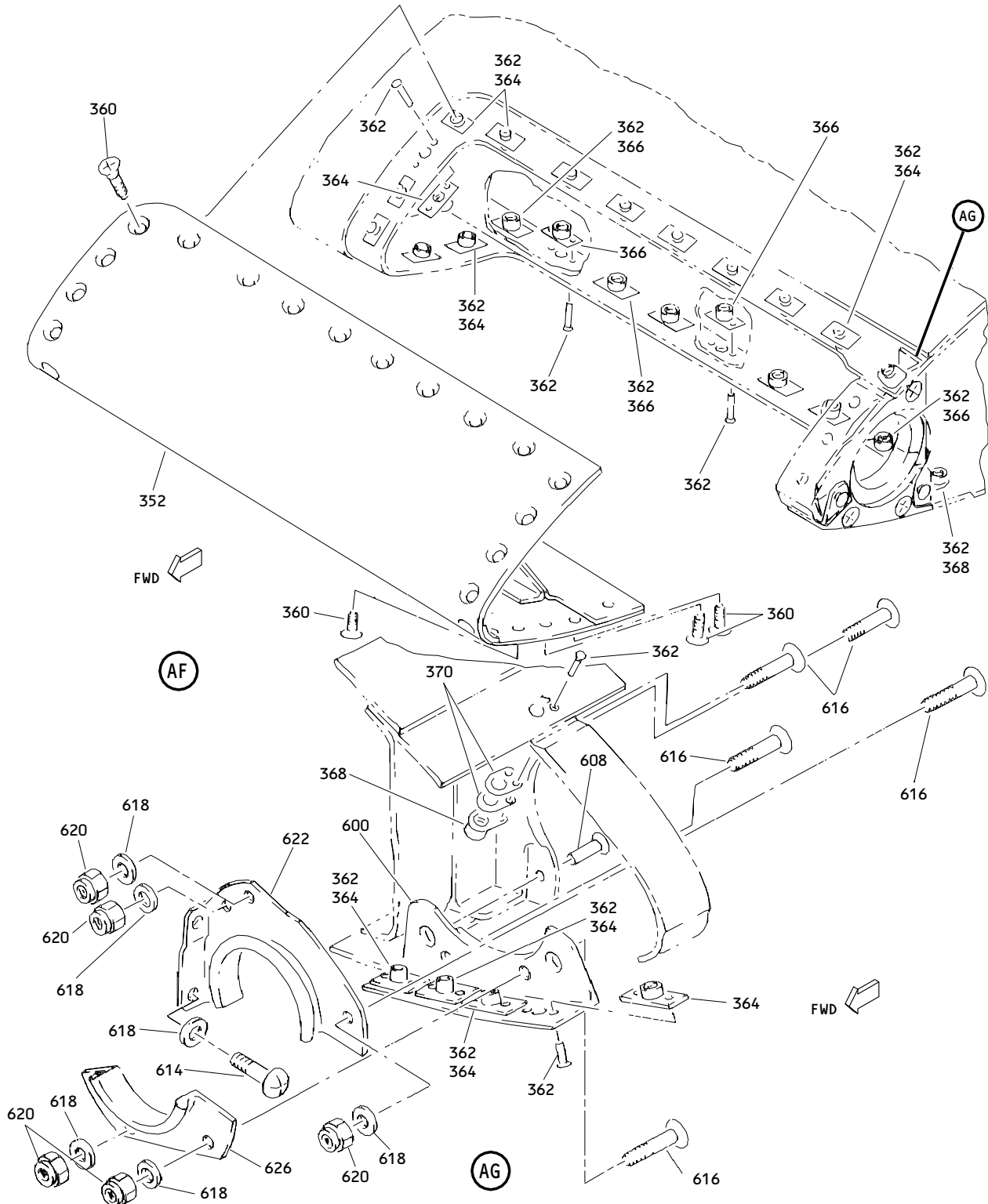


Outboard Slat No. 4 Wing Leading Edge Structure Assembly  
Figure 4 (Sheet 23)

**57-43-55**

ILLUSTRATED PARTS LIST  
01.1 Page 1058E  
Nov 01/00

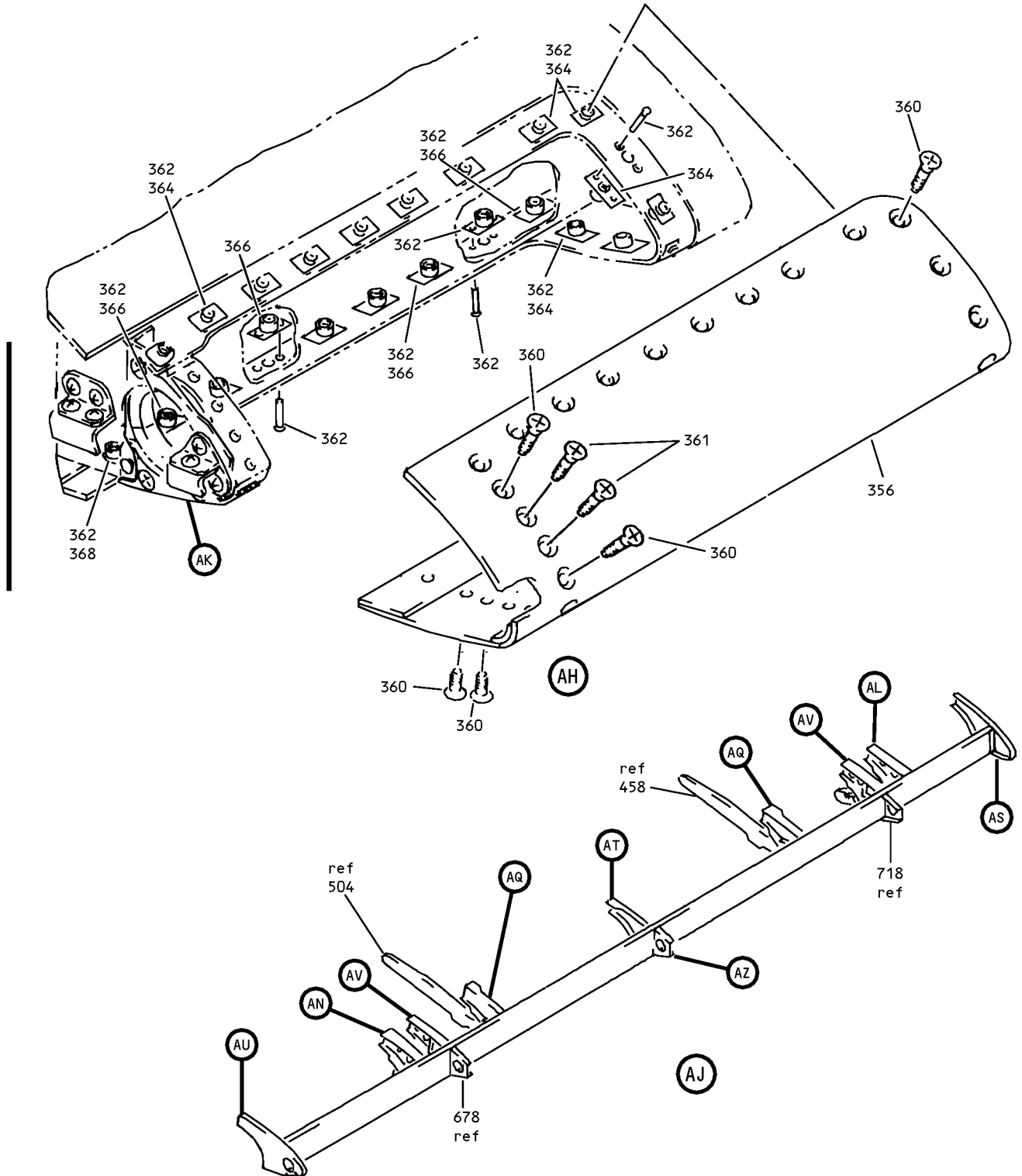




Outboard Slat No. 4 Wing Leading Edge Structure Assembly  
 Figure 4 (Sheet 24)

**57-43-55**

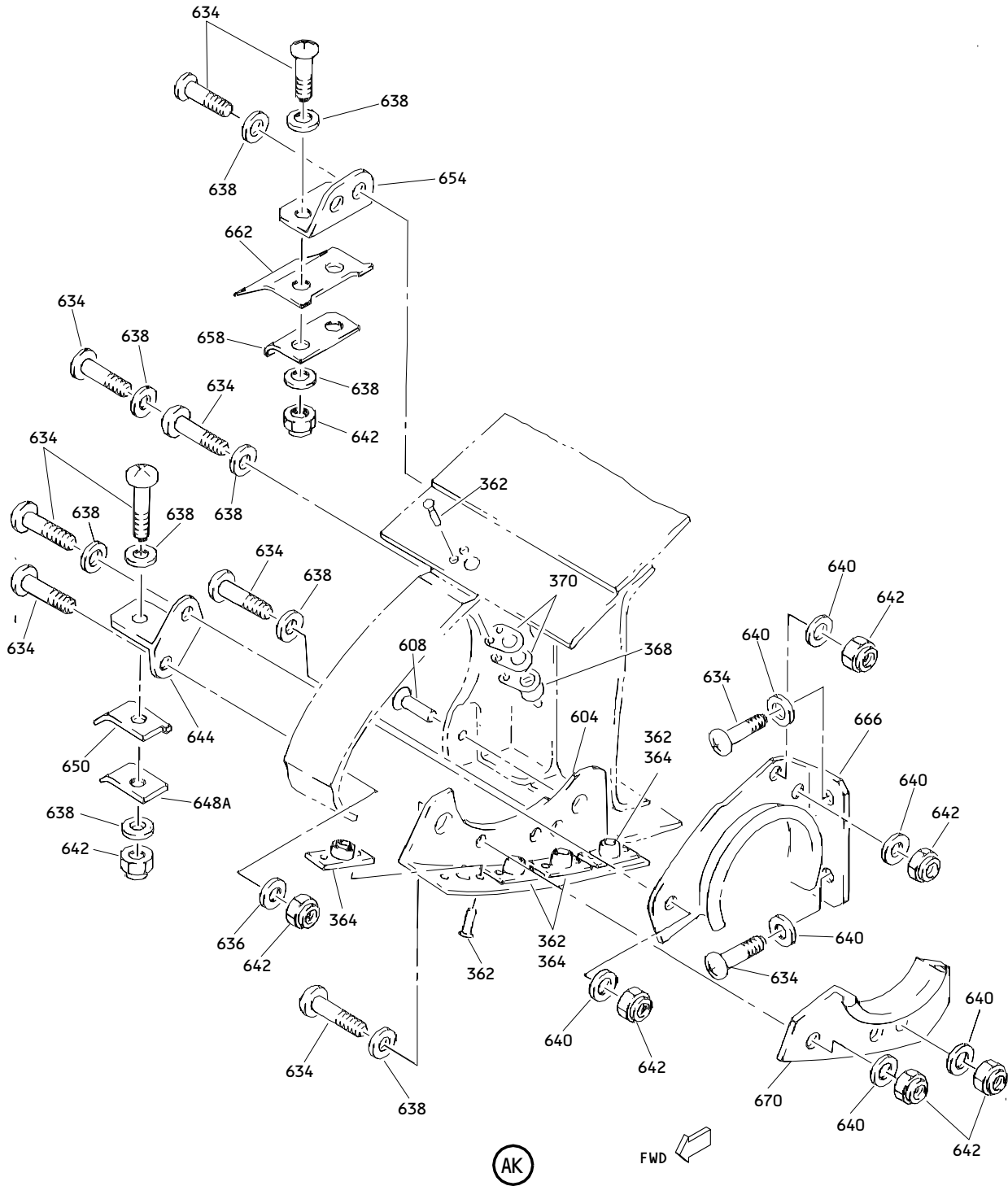
ILLUSTRATED PARTS LIST  
 01.1 Page 1058F  
 Nov 01/00



Outboard Slat No. 4 Wing Leading Edge Structure Assembly  
Figure 4 (Sheet 25)

**57-43-55**

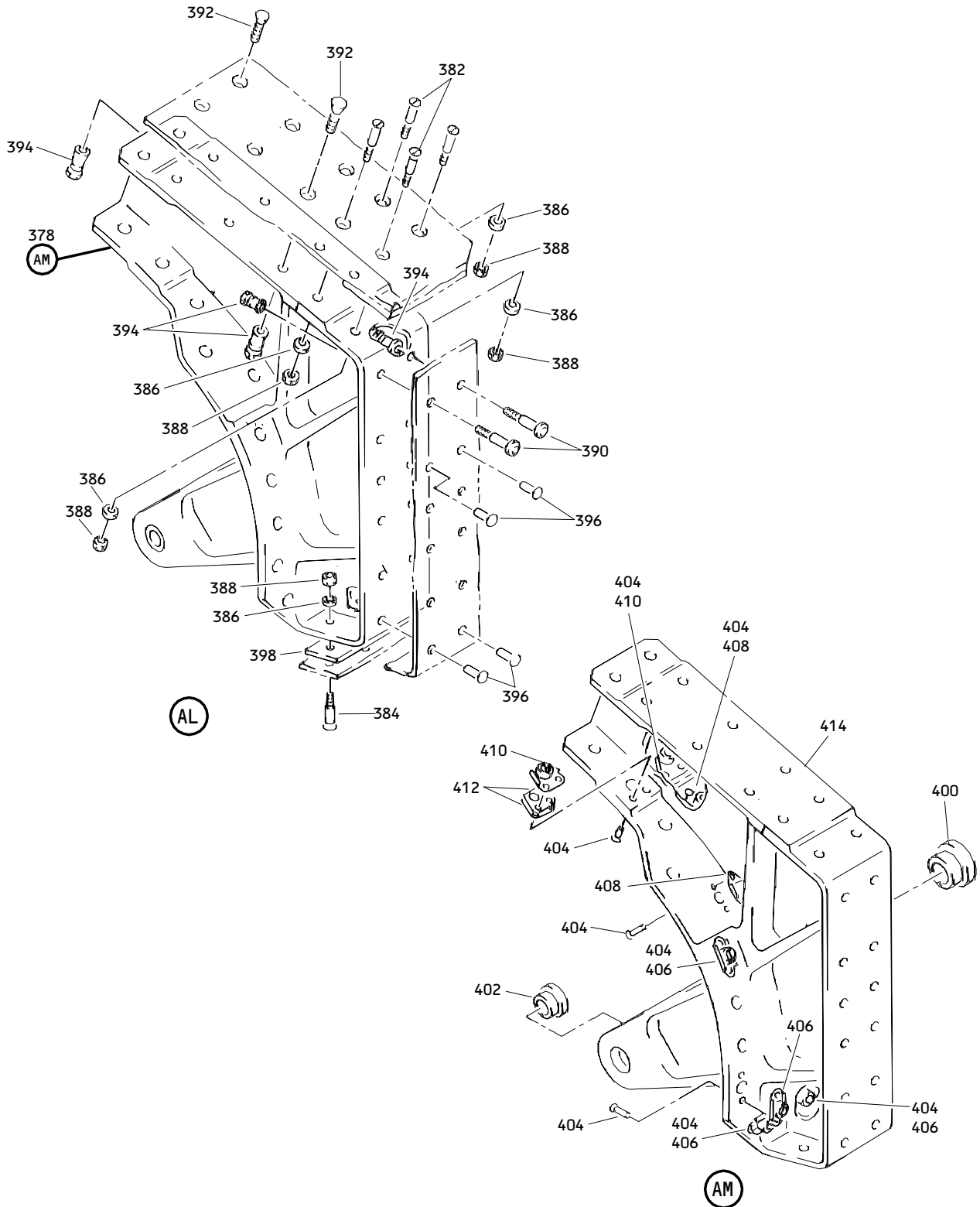
ILLUSTRATED PARTS LIST  
01.1 Page 1058G  
Nov 01/01



Outboard Slat No. 4 Wing Leading Edge Structure Assembly  
 Figure 4 (Sheet 26)

**57-43-55**

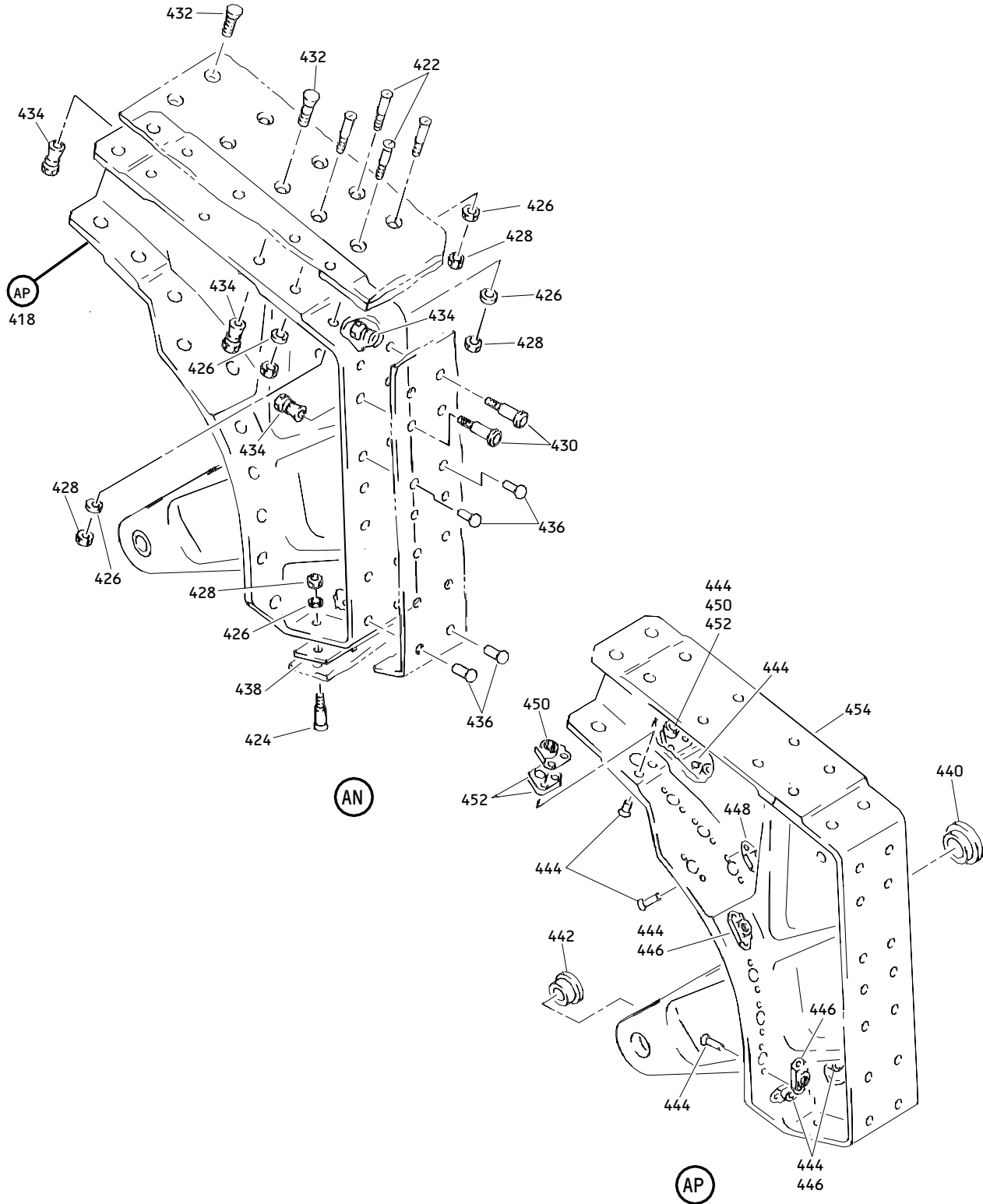
ILLUSTRATED PARTS LIST  
 01.1 Page 1058H  
 Nov 01/00



Outboard Slat No. 4 Wing Leading Edge Structure Assembly  
Figure 4 (Sheet 27)

**57-43-55**

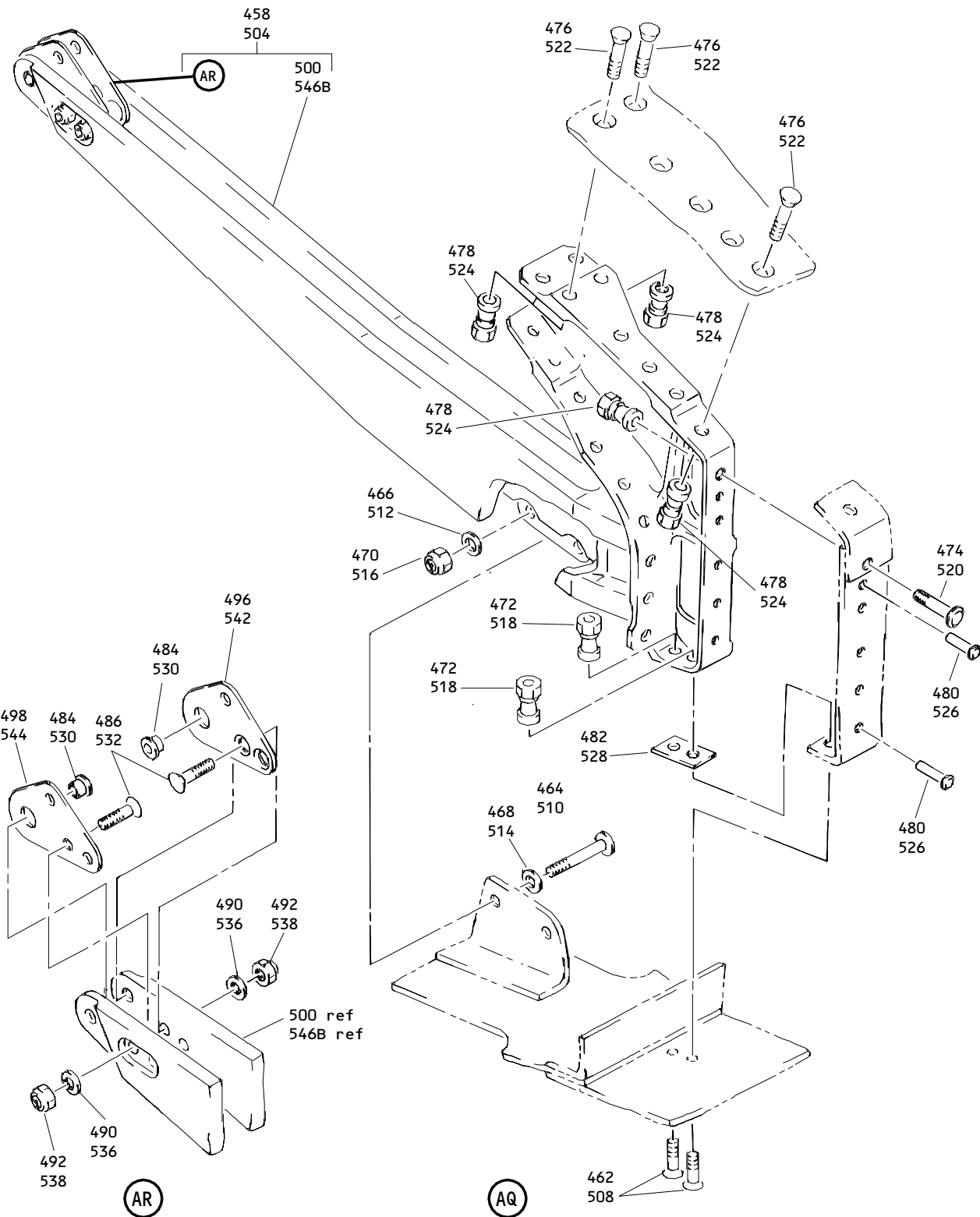
ILLUSTRATED PARTS LIST  
01.1 Page 1058I  
Nov 01/00



Outboard Slat No. 4 Wing Leading Edge Structure Assembly  
 Figure 4 (Sheet 28)

**57-43-55**

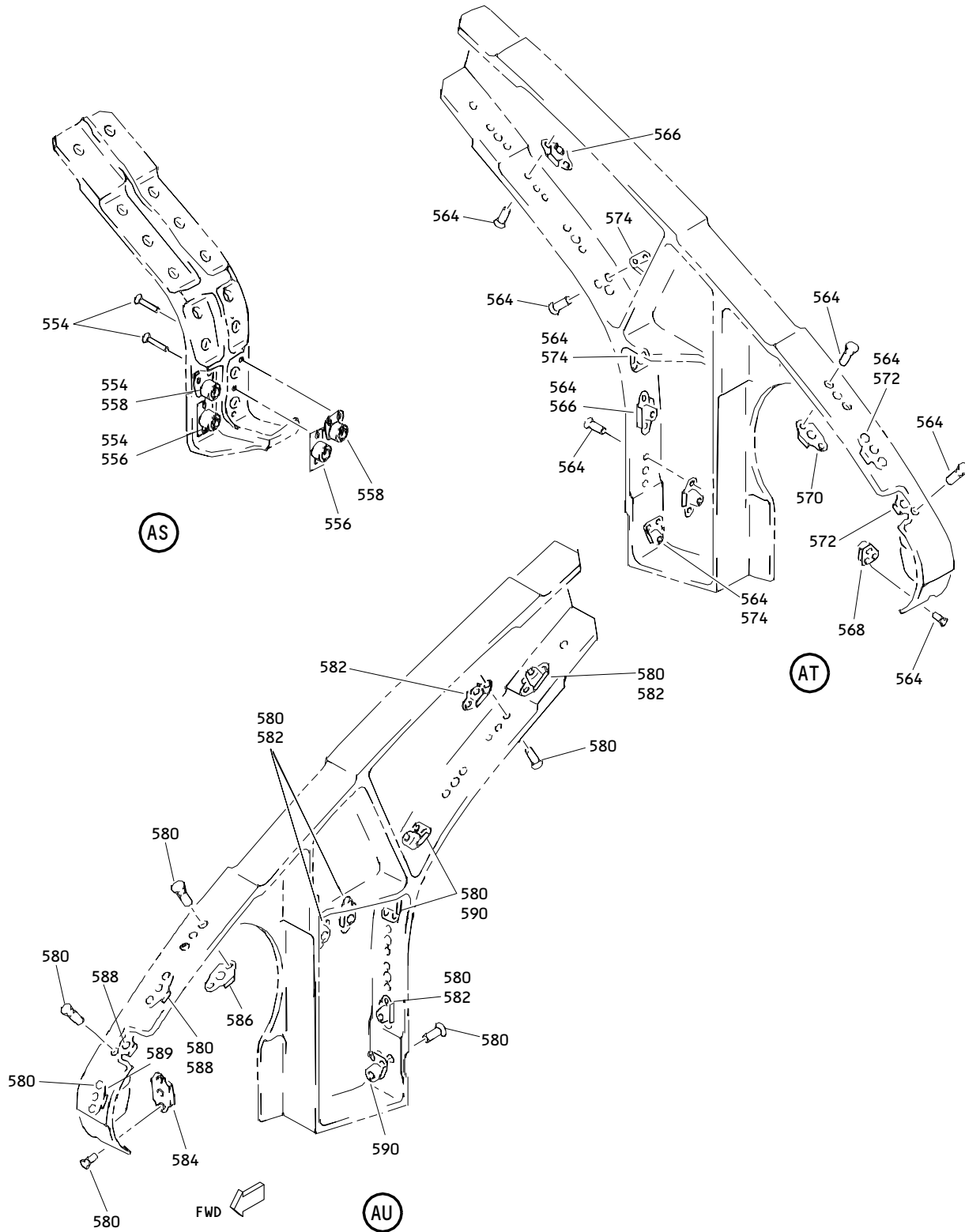
ILLUSTRATED PARTS LIST  
 01.1 Page 1058J  
 Nov 01/00



Outboard Slat No. 4 Wing Leading Edge Structure Assembly  
Figure 4 (Sheet 29)

**57-43-55**

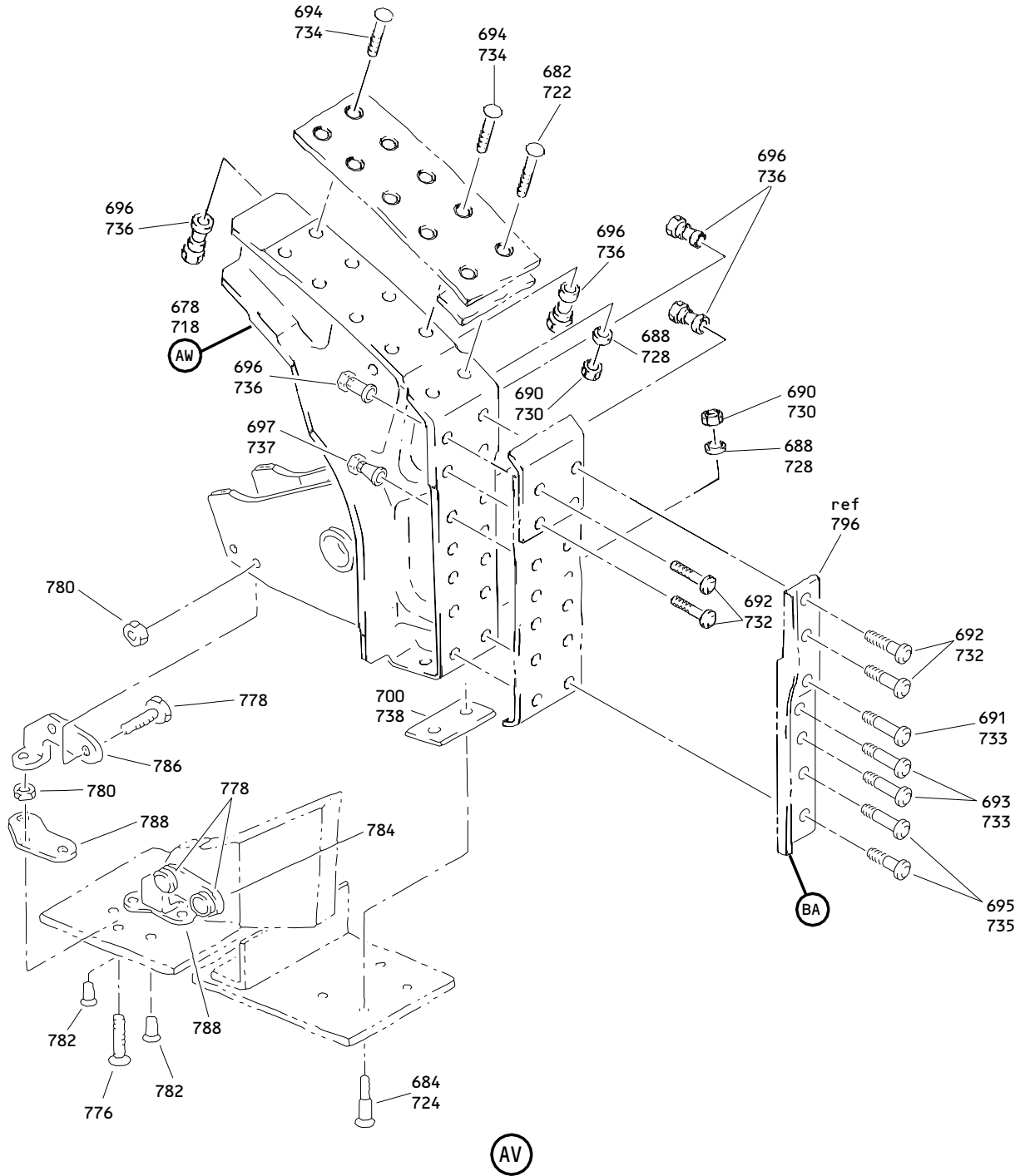
ILLUSTRATED PARTS LIST  
01.1 Page 1058K  
Nov 01/00



Outboard Slat No. 4 Wing Leading Edge Structure Assembly  
 Figure 4 (Sheet 30)

**57-43-55**

ILLUSTRATED PARTS LIST  
 01.1 Page 1058L  
 Nov 01/01

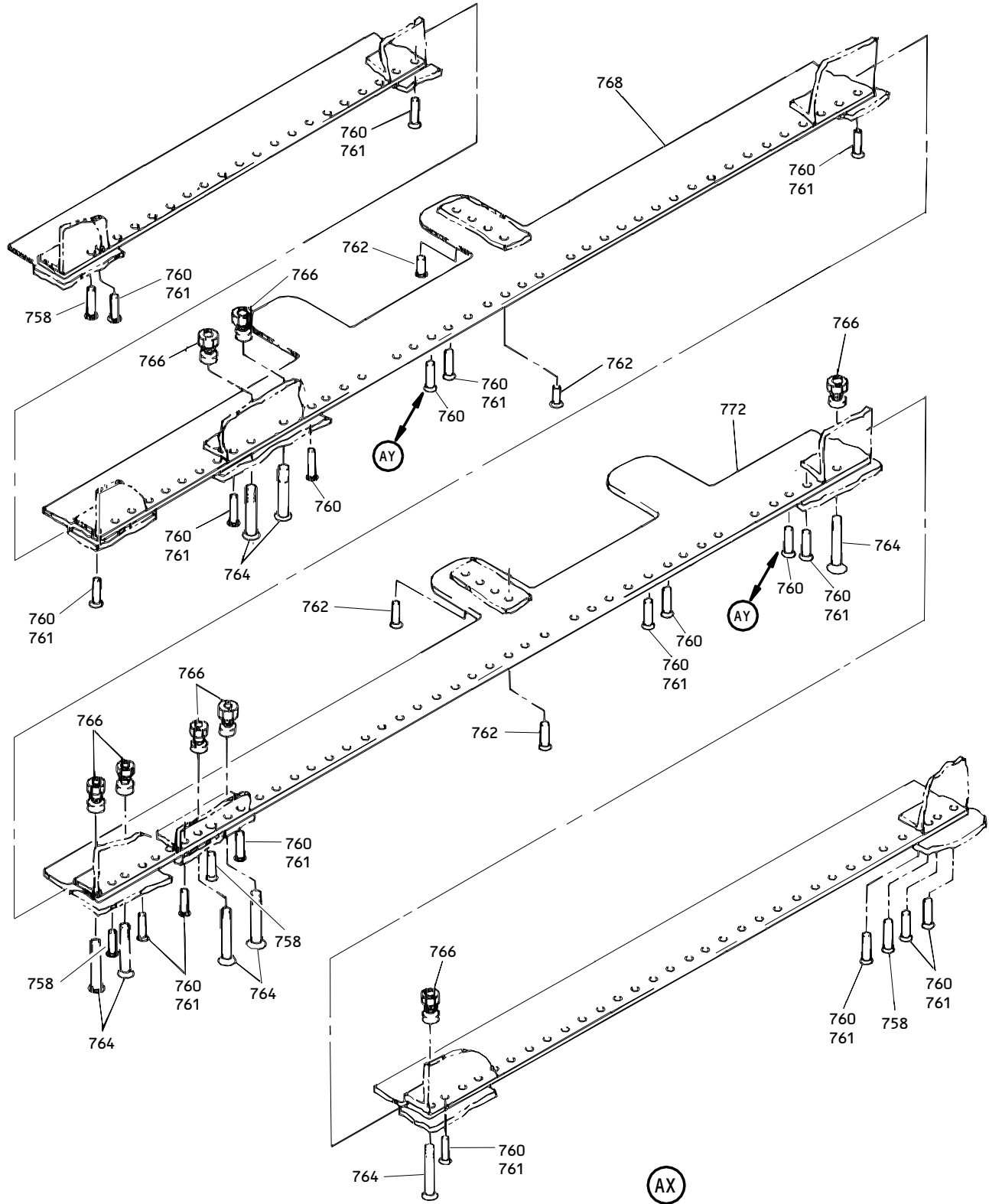


Outboard Slat No. 4 Wing Leading Edge Structure Assembly  
Figure 4 (Sheet 31)

**57-43-55**

ILLUSTRATED PARTS LIST  
01.1 Page 1058M  
Nov 01/00

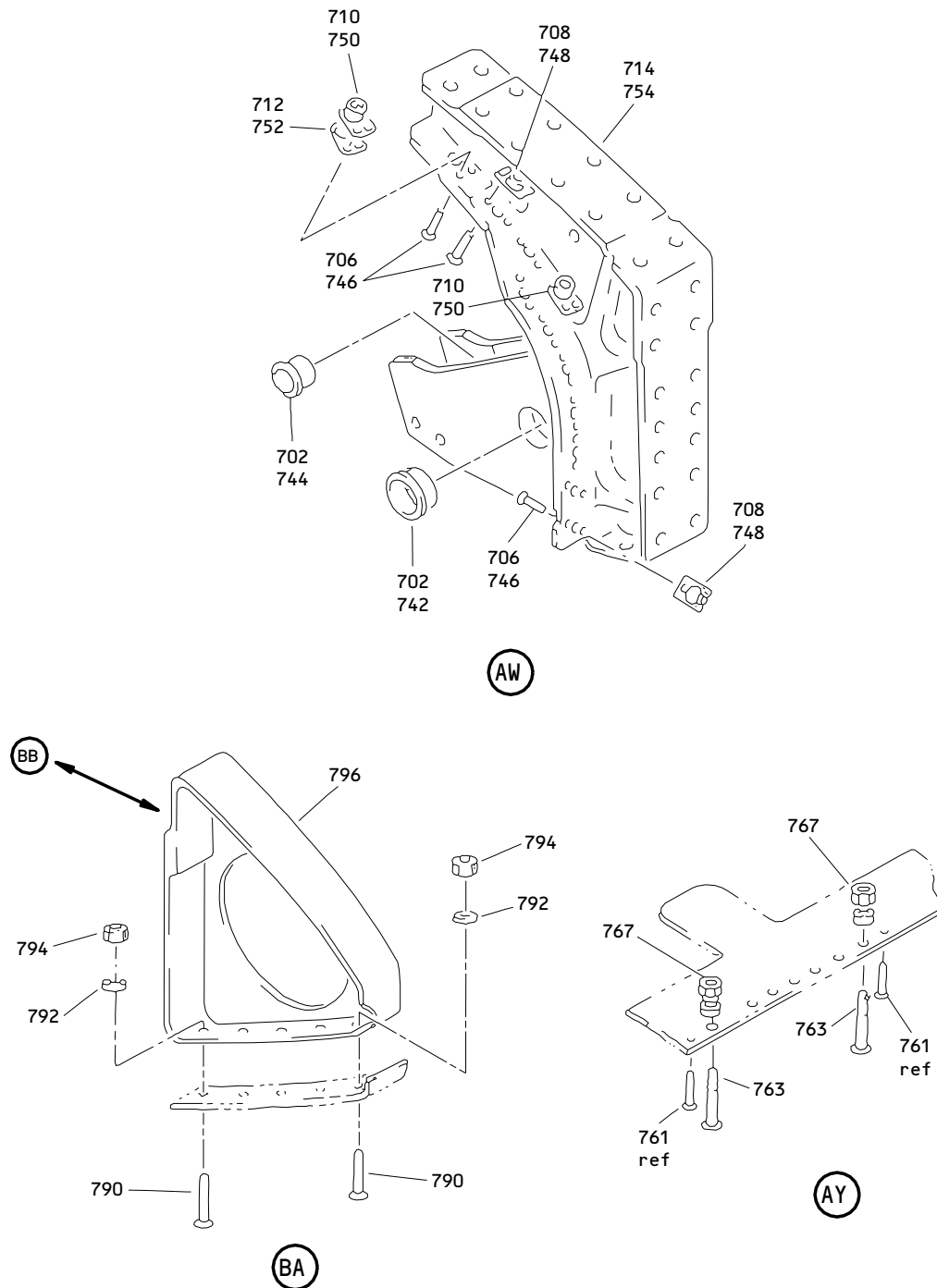




Outboard Slat No. 4 Wing Leading Edge Structure Assembly  
 Figure 4 (Sheet 32)

**57-43-55**

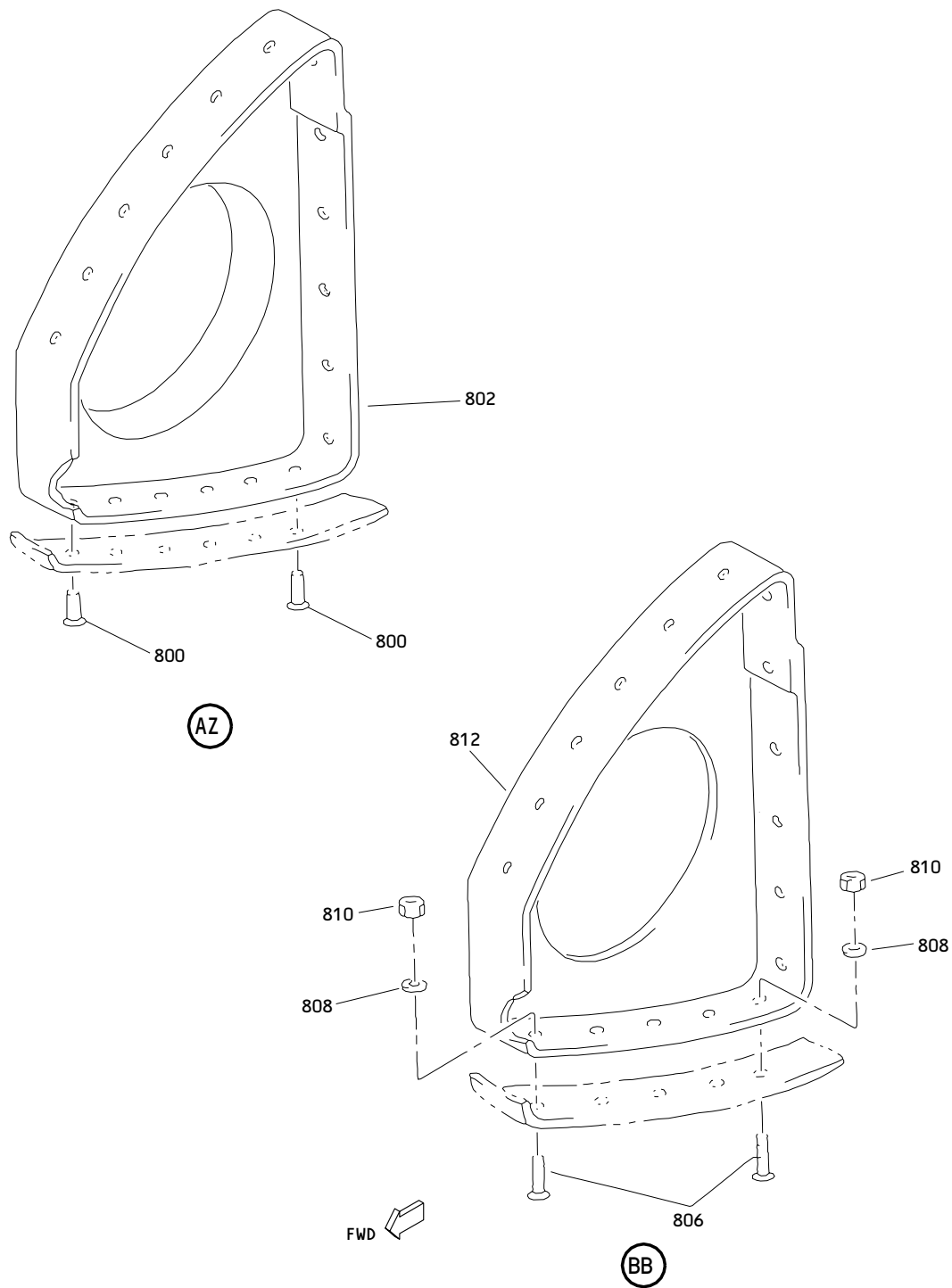
ILLUSTRATED PARTS LIST  
 01.1 Page 1058N  
 Nov 01/00



Outboard Slat No. 4 Wing Leading Edge Structure Assembly  
Figure 4 (Sheet 33)

**57-43-55**

ILLUSTRATED PARTS LIST  
01.1 Page 10580  
Nov 01/00



Outboard Slat No. 4 Wing Leading Edge Structure Assembly  
 Figure 4 (Sheet 34)

**57-43-55**

ILLUSTRATED PARTS LIST  
 01.1 Page 1058P  
 Nov 01/00

 **BOEING**  
COMPONENT  
MAINTENANCE MANUAL

FIG. & ITEM	PART NO.	AIRLINE PART NUMBER	NOMENCLATURE 1234567	EFF CODE	QTY PER ASSY
04- -1	114T4104-25		STRUCTURE ASSY-OUTBD SLAT NO. 4 WING LE (VARIABLE) (LH) (PRE SB 767-57A0057)	D	RF
-1A	114T4104-27SP		STRUCTURE ASSY-OUTBD SLAT NO. 4 WING LE (LH) (POST SB 757-32-0107) (PRE SB 767-57A0057)	E	RF
-1B	114T4104-29		STRUCTURE ASSY-OUTBD SLAT NO. 4 WING LE (LH) (PRE SB 767-57A0057)	F	RF
-1C	114T4104-33		STRUCTURE ASSY-OUTBD SLAT NO. 4 WING LE (VARIABLE) (LH) (PRE SB 767-57A0057)	G	RF
-1D	114T4104-35		DELETED		
-1E	114T4104-37SP		STRUCTURE ASSY-OUTBD SLAT NO. 4 WING LE (LH) (POST SB 757-32-0107) (PRE SB 767-57A0057)	H	RF
-1F	114T4104-39		STRUCTURE ASSY-OUTBD SLAT NO. 4 WING LE (VARIABLE) (LH) (PRE SB 767-57A0057)	J	RF
-1G	114T4104-41		STRUCTURE ASSY-OUTBD SLAT NO. 4 WING LE (LH) (POST SB 757-32-0107) (PRE SB 767-57A0057)	K	RF
-1H	114T4104-43		DELETED		
-1J	114T4104-45		STRUCTURE ASSY-OUTBD SLAT NO. 4 WING LE (VARIABLE) (LH) (PRE SB 767-57A0057)	Y	RF
-1K	114T4104-47		STRUCTURE ASSY-OUTBD SLAT NO. 4 WING LE (VARIABLE) (LH) (PRE SB 767-57A0057)	Z	RF
-1L	114T4104-49		STRUCTURE ASSY-OUTBD SLAT NO. 4 WING LE (LH) (PRE SB 767-57A0057)	AC	RF
-1M	114T4104-51		STRUCTURE ASSY-OUTBD SLAT NO. 4 WING LE (VARIABLE) (LH) (PRE SB 767-57A0057)	AE	RF

**57-43-55**

ILLUSTRATED PARTS LIST  
01.1 Page 1058Q  
Nov 01/00

FIG. & ITEM	PART NO.	AIRLINE PART NUMBER	NOMENCLATURE 1234567	EFF CODE	QTY PER ASSY
04- -1N	114T4104-53		STRUCTURE ASSY-OUTBD SLAT NO. 4 WING LE (LH)	L	RF
-1P	114T4104-55		DELETED		
-1Q	015T1507-415		STRUCTURE ASSY-OUTBD SLAT NO. 4 WING LE (LH) (POST SB 767-57A0057)	BN	RF
-1R	015T1507-457		STRUCTURE ASSY-OUTBD SLAT NO. 4 WING LE (LH) (POST SB 767-57A0057)	BP	RF
-1S	015T1507-417		STRUCTURE ASSY-OUTBD SLAT NO. 4 WING LE (LH) (POST SB 767-57A0057)	BQ	RF
-1T	015T1507-459		STRUCTURE ASSY-OUTBD SLAT NO. 4 WING LE (LH) (POST SB 767-57A0057)	BR	RF
-1U	015T1507-419		STRUCTURE ASSY-OUTBD SLAT NO. 4 WING LE (LH) (POST SB 767-57A0057)	BS	RF
-1V	015T1507-461		STRUCTURE ASSY-OUTBD SLAT NO. 4 WING LE (LH) (POST SB 767-57A0057)	BT	RF
-1W	015T1507-421		STRUCTURE ASSY-OUTBD SLAT NO. 4 WING LE (LH) (POST SB 767-57A0057)	BU	RF
-1X	015T1507-463		STRUCTURE ASSY-OUTBD SLAT NO. 4 WING LE (LH) (POST SB 767-57A0057)	BV	RF
-1Y	015T1507-425		STRUCTURE ASSY-OUTBD SLAT NO. 4 WING LE (LH) (POST SB 767-57A0057)	BW	RF
-1Z	015T1507-427		STRUCTURE ASSY-OUTBD SLAT NO. 4 WING LE (LH) (POST SB 767-57A0057)	BX	RF
-2	015T1507-429		STRUCTURE ASSY-OUTBD SLAT NO. 4 WING LE (LH) (POST SB 767-57A0057)	BY	RF
-2A	015T1507-465		STRUCTURE ASSY-OUTBD SLAT NO. 4 WING LE (LH) (POST SB 767-57A0057)	BZ	RF
-2B	015T1507-467		STRUCTURE ASSY-OUTBD SLAT NO. 4 WING LE (LH) (POST SB 767-57A0057)	CA	RF
-2C	015T1507-469		STRUCTURE ASSY-OUTBD SLAT NO. 4 WING LE (LH) (POST SB 767-57A0057)	CB	RF

# 57-43-55

 ILLUSTRATED PARTS LIST  
 01.1 Page 1058R  
 Nov 01/00

 **BOEING**  
COMPONENT  
MAINTENANCE MANUAL

FIG. & ITEM	PART NO.	AIRLINE PART NUMBER	NOMENCLATURE 1234567	EFF CODE	QTY PER ASSY
04- -2D	015T1507-431		STRUCTURE ASSY-OUTBD SLAT NO. 4 WING LE (LH) (POST SB 767-57A0057)	CC	RF
-2E	015T1507-471		STRUCTURE ASSY-OUTBD SLAT NO. 4 WING LE (LH) (POST SB 767-57A0057)	CD	RF
-2F	015T1507-433		STRUCTURE ASSY-OUTBD SLAT NO. 4 WING LE (LH) (POST SB 767-57A0057)	CE	RF
-2G	015T1507-473		STRUCTURE ASSY-OUTBD SLAT NO. 4 WING LE (LH) (POST SB 767-57A0057)	CF	RF
-2H	015T1507-435		STRUCTURE ASSY-OUTBD SLAT NO. 4 WING LE (LH) (POST SB 767-57A0057)	CG	RF
-2J	015T1507-475		STRUCTURE ASSY-OUTBD SLAT NO. 4 WING LE (LH) (POST SB 767-57A0057)	CH	RF
-2K	015T1507-437		STRUCTURE ASSY-OUTBD SLAT NO. 4 WING LE (LH) (POST SB 767-57A0057)	CJ	RF
-2L	015T1507-477		STRUCTURE ASSY-OUTBD SLAT NO. 4 WING LE (LH) (POST SB 767-57A0057)	CK	RF
-2M	015T1507-439		STRUCTURE ASSY-OUTBD SLAT NO. 4 WING LE (LH) (POST SB 767-57A0057)	CL	RF
-2N	015T1507-479		STRUCTURE ASSY-OUTBD SLAT NO. 4 WING LE (LH) (POST SB 767-57A0057)	CM	RF
-2P	015T1507-441		STRUCTURE ASSY-OUTBD SLAT NO. 4 WING LE (LH) (POST SB 767-57A0057)	CN	RF
-2Q	015T1507-481		STRUCTURE ASSY-OUTBD SLAT NO. 4 WING LE (LH) (POST SB 767-57A0057)	CP	RF
-2R	114T4104-57SP		STRUCTURE ASSY-OUTBD SLAT NO. 4 WING LE (LH) (POST SB 767-57A0057)	DS	RF
-2S	114T4104-59SP		STRUCTURE ASSY-OUTBD SLAT NO. 4 WING LE (LH) (POST SB 767-57A0057)	DT	RF
-2T	114T4104-401SP		STRUCTURE ASSY-OUTBD SLAT NO. 4 WING LE (LH) (POST SB 767-57A0057)	DW	RF
-2U	114T4104-403G		STRUCTURE ASSY-OUTBD SLAT NO. 4 WING LE (LH) (POST SB 767-57A0057)	DY	RF

**57-43-55**

ILLUSTRATED PARTS LIST  
01.1 Page 1058S  
Nov 01/00

FIG. & ITEM	PART NO.	AIRLINE PART NUMBER	NOMENCLATURE 1234567	EFF CODE	QTY PER ASSY
04- -2V	114T4104-403P		STRUCTURE ASSY-OUTBD SLAT NO. 4 WING LE (LH)	DZ	RF
-5	114T4104-26		STRUCTURE ASSY-OUTBD SLAT NO. 9 WING LE (VARIABLE) (RH) (PRE SB 767-57A0057)	Q	RF
-5A	114T4104-28SP		STRUCTURE ASSY-OUTBD SLAT NO. 9 WING LE (RH) (POST SB 757-32-0107) (PRE SB 767-57A0057)	R	RF
-5B	114T4104-30		STRUCTURE ASSY-OUTBD SLAT NO. 9 WING LE (RH) (PRE SB 767-57A0057)	S	RF
-5C	114T4104-34		STRUCTURE ASSY-OUTBD SLAT NO. 9 WING LE (VARIABLE) (RH) (PRE SB 767-57A0057)	T	RF
-5D	114T4104-36		DELETED		
-5E	114T4104-38SP		STRUCTURE ASSY-OUTBD SLAT NO. 9 WING LE (RH) (POST SB 757-32-0107) (PRE SB 767-57A0057)	U	RF
-5F	114T4104-40		STRUCTURE ASSY-OUTBD SLAT NO. 9 WING LE (VARIABLE) (RH) (PRE SB 767-57A0057)	V	RF
-5G	114T4104-42		STRUCTURE ASSY-OUTBD SLAT NO. 9 WING LE (RH) (POST SB 757-32-0107) (PRE SB 767-57A0057)	W	RF
-5H	114T4104-44		DELETED		
-5J	114T4104-46		STRUCTURE ASSY-OUTBD SLAT NO. 9 WING LE (VARIABLE) (RH) (PRE SB 767-57A0057)	AA	RF
-5K	114T4104-48		STRUCTURE ASSY-OUTBD SLAT NO. 9 WING LE (VARIABLE) (RH) (PRE SB 767-57A0057)	AB	RF
-5L	114T4104-50		STRUCTURE ASSY-OUTBD SLAT NO. 9 WING LE (RH) (PRE SB 767-57A0057)	AD	RF

# 57-43-55

 ILLUSTRATED PARTS LIST  
 01.1 Page 1058T  
 Nov 01/00



**BOEING**  
COMPONENT  
MAINTENANCE MANUAL

FIG. & ITEM	PART NO.	AIRLINE PART NUMBER	NOMENCLATURE 1234567	EFF CODE	QTY PER ASSY
04- -5M	114T4104-52		STRUCTURE ASSY-OUTBD SLAT NO. 9 WING LE (VARIABLE) (RH) (PRE SB 767-57A0057)	AF	RF
-5N	114T4104-54		STRUCTURE ASSY-OUTBD SLAT NO. 9 WING LE (RH)	X	RF
-5P	114T4104-56		DELETED		
-5Q	015T1507-416		STRUCTURE ASSY-OUTBD SLAT NO. 9 WING LE (RH) (POST SB 767-57A0057)	CQ	RF
-5R	015T1507-458		STRUCTURE ASSY-OUTBD SLAT NO. 9 WING LE (RH) (POST SB 767-57A0057)	CR	RF
-5S	015T1507-418		STRUCTURE ASSY-OUTBD SLAT NO. 9 WING LE (RH) (POST SB 767-57A0057)	CS	RF
-5T	015T1507-460		STRUCTURE ASSY-OUTBD SLAT NO. 9 WING LE (RH) (POST SB 767-57A0057)	CT	RF
-5U	015T1507-420		STRUCTURE ASSY-OUTBD SLAT NO. 9 WING LE (RH) (POST SB 767-57A0057)	CU	RF
-5V	015T1507-462		STRUCTURE ASSY-OUTBD SLAT NO. 9 WING LE (RH) (POST SB 767-57A0057)	CV	RF
-5W	015T1507-422		STRUCTURE ASSY-OUTBD SLAT NO. 9 WING LE (RH) (POST SB 767-57A0057)	CW	RF
-5X	015T1507-464		STRUCTURE ASSY-OUTBD SLAT NO. 9 WING LE (RH) (POST SB 767-57A0057)	CX	RF
-5Y	015T1507-426		STRUCTURE ASSY-OUTBD SLAT NO. 9 WING LE (RH) (POST SB 767-57A0057)	CY	RF
-5Z	015T1507-428		STRUCTURE ASSY-OUTBD SLAT NO. 9 WING LE (RH) (POST SB 767-57A0057)	CZ	RF
-6	015T1507-430		STRUCTURE ASSY-OUTBD SLAT NO. 9 WING LE (RH) (POST SB 767-57A0057)	DA	RF
-6A	015T1507-466		STRUCTURE ASSY-OUTBD SLAT NO. 9 WING LE (RH) (POST SB 767-57A0057)	DB	RF

**57-43-55**

ILLUSTRATED PARTS LIST  
01.1 Page 1058U  
Nov 01/00



FIG. & ITEM	PART NO.	AIRLINE PART NUMBER	NOMENCLATURE 1234567	EFF CODE	QTY PER ASSY
04- -6B	015T1507-468		STRUCTURE ASSY-OUTBD SLAT NO. 9 WING LE (RH) (POST SB 767-57A0057)	DC	RF
-6C	015T1507-470		STRUCTURE ASSY-OUTBD SLAT NO. 9 WING LE (RH) (POST SB 767-57A0057)	DD	RF
-6D	015T1507-432		STRUCTURE ASSY-OUTBD SLAT NO. 9 WING LE (RH) (POST SB 767-57A0057)	DE	RF
-6E	015T1507-472		STRUCTURE ASSY-OUTBD SLAT NO. 9 WING LE (RH) (POST SB 767-57A0057)	DF	RF
-6F	015T1507-434		STRUCTURE ASSY-OUTBD SLAT NO. 9 WING LE (RH) (POST SB 767-57A0057)	DG	RF
-6G	015T1507-474		STRUCTURE ASSY-OUTBD SLAT NO. 9 WING LE (RH) (POST SB 767-57A0057)	DH	RF
-6H	015T1507-436		STRUCTURE ASSY-OUTBD SLAT NO. 9 WING LE (RH) (POST SB 767-57A0057)	DJ	RF
-6J	015T1507-476		STRUCTURE ASSY-OUTBD SLAT NO. 9 WING LE (RH) (POST SB 767-57A0057)	DK	RF
-6K	015T1507-438		STRUCTURE ASSY-OUTBD SLAT NO. 9 WING LE (RH) (POST SB 767-57A0057)	DL	RF
-6L	015T1507-478		STRUCTURE ASSY-OUTBD SLAT NO. 9 WING LE (RH) (POST SB 767-57A0057)	DM	RF
-6M	015T1507-440		STRUCTURE ASSY-OUTBD SLAT NO. 9 WING LE (RH) (POST SB 767-57A0057)	DN	RF
-6N	015T1507-480		STRUCTURE ASSY-OUTBD SLAT NO. 9 WING LE (RH) (POST SB 767-57A0057)	DP	RF
-6P	015T1507-442		STRUCTURE ASSY-OUTBD SLAT NO. 9 WING LE (RH) (POST SB 767-57A0057)	DQ	RF
-6Q	015T1507-482		STRUCTURE ASSY-OUTBD SLAT NO. 9 WING LE (RH) (POST SB 767-57A0057)	DR	RF
-6R	114T4104-58SP		STRUCTURE ASSY-OUTBD SLAT NO. 9 WING LE (RH)	DU	RF

**57-43-55**

 ILLUSTRATED PARTS LIST  
 01.1 Page 1058V  
 Nov 01/00

FIG. & ITEM	PART NO.	AIRLINE PART NUMBER	NOMENCLATURE 1234567	EFF CODE	QTY PER ASSY
04- -6S	114T4104-60SP		STRUCTURE ASSY-OUTBD SLAT NO. 9 WING LE (RH)	DV	RF
-6T	114T4104-402SP		STRUCTURE ASSY-OUTBD SLAT NO. 9 WING LE (RH)	DX	RF
-6U	114T4104-404G		STRUCTURE ASSY-OUTBD SLAT NO. 9 WING LE (RH)	EA	RF
-6V	114T4104-404P		STRUCTURE ASSY-OUTBD SLAT NO. 9 WING LE (RH)	AB	RF
10	BACB30NT3K7		.BOLT	D-L, Q-AF, BN-EB	46
10L	BACB30NN3K9		.BOLT	L,X,D S-EB	2
10T	BACB30NN3K8		.BOLT	L,X,D S-EB	2
11	BACB30NT3K7		.BOLT	D-K, Q-W, Y-AF, BN-DR	4
12	AN960PD10L		.WASHER	D-K, Q-W, Y-AF, BN-DR	46
-12A	NAS1149D0362J		.WASHER	L,X,D S-EB	46
12L	NAS1149D0332J		.WASHER	L,X,D S-EB	1
13	AN960PD10L		.WASHER	D-K, Q-W, Y-AF, BN-DR	5

**57-43-55**

FIG. & ITEM	PART NO.	AIRLINE PART NUMBER	NOMENCLATURE 1234567	EFF CODE	QTY PER ASSY
04-14	H10-3BAC		.NUT- (V15653) (SPEC BACN10JC3) (OPT NS202101-02 (V80539)) (OPT RMLH9075-3W (V72962)) (OPT T6S1032J (V71087)) (OPT VN303A02 (V92215)) (OPT 96-02 (V80539)) (OPT BRH10A3 (V52828))	D-K, Q-W, Y-AF, BN-DR	1
14L	BACN10JC3CD		.NUT	L,X,D S-EB	1
15	BACC10DK4		.CLAMP	L,X,D S-DX	4
16	114T4233-32		.RETAINER	D-L, Q-AF, BN-EB	46
16L	114T4233-32		.RETAINER	D-K, Q-W, Y-AF, BN-DR	4
17	256T2931-2		DELETED		
17A	256T2931-8		.GUIDE-CABLE	L,DS, DT,DW	1
-17F	256T2931-7		.GUIDE-CABLE	X,DU, DV,DX	1
17H	114T4233-33		.RETAINER-SEAL BULB	DY-EB	1
17L	256T2931-4		DELETED		
17M	256T2931-10		.GUIDE-CABLE	L,DS, DT,DW	1
-17R	256T2931-9		.GUIDE-CABLE	X,DU, DV,DX	1
17U	114T4233-33		.RETAINER-SEAL BULB	DY-EB	1

# 57-43-55

 ILLUSTRATED PARTS LIST  
 01.1 Page 1058X  
 Nov 01/00

 **BOEING**  
COMPONENT  
MAINTENANCE MANUAL

FIG. & ITEM	PART NO.	AIRLINE PART NUMBER	NOMENCLATURE 1234567	EFF CODE	QTY PER ASSY
04-18	114T4232-19		.SEAL- (MFD FROM EXTR RUBBER F25.01 10-60754-319 46.50 IN.)	D-L,Y ,Z,AC ,AE,B N-CP, DS,DT DW,DY ,DZ	1
-20	114T4232-20		.SEAL- (MFD FROM EXTR RUBBER F25.01 10-60754-319 46.50 IN.)	Q-X,A A,AB, AD,AF ,CQ-D R,DU DV,DX ,EA, EB	1
22	114T4232-21		.SEAL- (MFD FROM EXTR RUBBER F25.01 10-60754-319 58.40 IN.)	D-L,Y ,Z,AC ,AE,B N-CP, DS,DT DW,DY ,DZ	1
-24	114T4232-22		.SEAL- (MFD FROM EXTR RUBBER F25.01 10-60754-319 58.40 IN.)	Q-X,A A,AB, AD,AF ,CQ-D R,DU DV,DX ,EA, EB	1

**57-43-55**

ILLUSTRATED PARTS LIST  
01.1 Page 1058Y  
Nov 01/00

FIG. & ITEM	PART NO.	AIRLINE PART NUMBER	NOMENCLATURE 1234567	EFF CODE	QTY PER ASSY
04-26	114T4232-23		.SEAL-BULB (MFD FROM EXTR RUBBER F25.01 10-60754-319 46.50 IN.)	D-L,Y ,Z,AC ,AE,B N-CP, DS,DT DW,DY ,DZ	1
-28	114T4232-24		.SEAL-BULB (MFD FROM EXTR RUBBER F25.01 10-60754-319 46.50 IN.)	Q-X,A A,AB, AD,AF ,CQ-D R,DU DV,DX ,EA, EB	1
30	BACF3F009E179NN		.FILLER	D-L, Q-AF, BN-EB	2
32	BACF3F009E199NN		.FILLER	D-L, Q-AF, BN-EB	1
34	BACF3F009E080NN		.FILLER	D-L, Q-AF, BN-EB	2
36 36A	BACR15A3AD BACR15BA3AD		DELETED .RIVET- (SIZE DETERMINE ON INST)	D-L, Q-AF, BN-EB	100
38	NS103225-02		.NUTPLATE- (V80539) (SPEC BACN10KH3) (OPT RMF9209M3 (V72962)) (OPT F29779-3 (V15653))	D-L, Q-AF, BN-EB	2
40	BACN10JQ32		.NUTPLATE	D-K, Q-W, Y-AF, BN-DR	47
-40A	MF19058-3-2BAC		.NUTPLATE- (V15653) (SPEC BACN10YF32)	L,X,D S-EB	47

# 57-43-55

 ILLUSTRATED PARTS LIST  
 01.1 Page 1058Z  
 Nov 01/00

**BOEING**  
COMPONENT  
MAINTENANCE MANUAL

FIG. & ITEM	PART NO.	AIRLINE PART NUMBER	NOMENCLATURE 1234567	EFF CODE	QTY PER ASSY
04-42	BACB30NT3K3		.BOLT	D-L, Q-AF, BN-EB	1
44	AN960PD10L		.WASHER	D-K, Q-W, Y-AF, BN-DR	2
-44A	NAS1149D0332J		.WASHER	L,X,D S-EB	2
46	H10-3BAC		.NUT- (V15653) (SPEC BACN10JC3) (OPT NS202101-02 (V80539)) (OPT RMLH9075-3W (V72962)) (OPT T6S1032J (V71087)) (OPT VN303A02 (V92215)) (OPT 96-02 (V80539)) (OPT BRH10A3 (V52828))	D-K, Q-W, Y-AF, BN-DR	1
-46A	BACN10JC3CD		.NUT	L,X,D S-EB	1
48	144T4233-31		DELETED		
48A	114T4233-31		.RETAINER-BULB SEAL	D-L, Q-AF, BN-EB	1
50	114T4234-11		.SEAL-BULB (MFD FROM EXTR RUBBER F25.01 10-60754-15 1.50 IN.)	D-L,Y ,Z,AC ,AE,B N-CP, DS,DT DW,DY ,DZ	1

**57-43-55**

ILLUSTRATED PARTS LIST  
01.1 Page 1059  
Nov 01/00

FIG. & ITEM	PART NO.	AIRLINE PART NUMBER	NOMENCLATURE 1234567	EFF CODE	QTY PER ASSY
04-52	114T4234-12		.SEAL-BULB (MFD FROM EXTR RUBBER F25.01 10-60754-15 1.50 IN.)	Q-X,A A,AB, AD,AF ,CQ-D R,DU DV,DX ,EA, EB	1
54	BACB30NT3K4		.BOLT	D-L, Q-AF, BN-EB	5
56	BACB30NN3K4		.BOLT	D-L, Q-AF, BN-EB	1
58	AN960PD10L		.WASHER	D-K, Q-W, Y-AF, BN-DR	11
-58A	NAS1149D0332J		.WASHER	L,X,D S-EB	11
60	H10-3BAC		.NUT- (V15653) (SPEC BACN10JC3) (OPT NS202101-02 (V80539)) (OPT RMLH9075-3W (V72962)) (OPT T6S1032J (V71087)) (OPT VN303A02 (V92215)) (OPT 96-02 (V80539)) (OPT BRH10A3 (V52828))	D-K, Q-W, Y-AF, BN-DR	5

# 57-43-55

 ILLUSTRATED PARTS LIST  
 01.1 Page 1060  
 Nov 01/00



**BOEING**  
COMPONENT  
MAINTENANCE MANUAL

FIG. & ITEM	PART NO.	AIRLINE PART NUMBER	NOMENCLATURE 1234567	EFF CODE	QTY PER ASSY
04- -60A	BACN10JC3CD		.NUT	L,X,D S-EB	5
62	114T4235-4		.RETAINER-SEAL	D-L, Q-AF, BN-EB	1
64	114T4234-9		.SEAL-BULB (MFD FROM EXTR RUBBER F25.01 10-60754-15 11.20 IN.)	D-L,Y ,Z,AC ,AE,B N-CP, DS,DT DW,DY ,DZ	1
-66	114T4234-10		.SEAL-BULB (MFD FROM EXTR RUBBER F25.01 10-60754-15 11.20 IN.)	Q-X,A A,AB, AD,AF ,CQ-D R,DU DV,DX ,EA, EB	1
68	114T4224-4		.SEAL-BULB	D-K, Q-W, Y-AF, BN-DR	1
-68A	114T4224-9		.SEAL-BULB	L,X,D S-EB	1
70	114T4236-4		.SEAL-SPONGE (MFD FROM SH SPONGE RUBBER BMS1-23 0.73 IN. 3.10 IN.)	D-K, Q-W, Y-AB, BN-CK ,CQ-D M	1
-70A	114T4236-10		.SEAL-SPONGE (MFD FROM SH SPONGE RUBBER BMS1-23 0.73 IN 1.00 IN 2.75 IN)	L,X,A C-AF, CL-CP ,DN- EB	1

**57-43-55**

ILLUSTRATED PARTS LIST  
01.1 Page 1060A  
Nov 01/00



FIG. & ITEM	PART NO.	AIRLINE PART NUMBER	NOMENCLATURE 1234567	EFF CODE	QTY PER ASSY
04-72	114T4224-5		.SEAL-BULB	D-K, Q-W, Y-AF, BN-DR	1
-72A	114T4224-10		.SEAL-BULB	L,X,D S-EB	1
74	114T4236-5		.SEAL-SPONGE (MFD FROM SH SPONGE RUBBER BMS1-23 0.70 IN. 3.50 IN.)	D-K, Q-W, Y-AB, BN-CK ,CQ-D M	1
-74A	114T4236-11		.SEAL-SPONGE (MFD FROM SH SPONGE RUBBER BMS1-23 0.70 IN 1.00 IN 3.20 IN)	L,X,A C-AF, CL-CP ,DN- EB	1
76	BACR15CE5KE		.RIVET- (SIZE DETERMINE ON INST) (OPT ITEM 76A)	D-L, Q-AF, BN-EB	17
-76A	BACR15CE5AD		.RIVET- (SIZE DETERMINE ON INST) (OPT ITEM 76)	D-L, Q-AF, BN-EB	17
78	BACB30NU3K4		.BOLT	D-L, Q-AF, BN-EB	2
80	114T4225-7		.RETAINER	D-L, Q-AF, BN-EB	1
82	114T4225-8		.RETAINER	D-L, Q-AF, BN-EB	1
84	BACR15BA3AD		.RIVET- (SIZE DETERMINE ON INST)	D-L, Q-AF, BN-EB	4

# 57-43-55

 ILLUSTRATED PARTS LIST  
 01.1 Page 1060B  
 Nov 01/00

 **BOEING**  
COMPONENT  
MAINTENANCE MANUAL

FIG. & ITEM	PART NO.	AIRLINE PART NUMBER	NOMENCLATURE 1234567	EFF CODE	QTY PER ASSY
04-86	BACN10JQ32		.NUTPLATE	D-K, Q-W, Y-AF, BN-DR	2
-86A	MF19058-3-2BAC		.NUTPLATE- (V15653) (SPEC BACN10YF32)	L,X,D S-EB	2
88	114T4226-2		.SEAL	D-L, Q-AF, BN-EB	2
90	114T4242-13		.RETAINER	D-L,Y ,Z,AC ,AE,B N-CP, DS,DT DW,DY ,DZ	1
-92	114T4242-14		.RETAINER	Q-X,A A,AB, AD,AF ,CQ-D R,DU DV,DX ,EA, EB	1
94	114T4242-15		.RETAINER	D-L,Y ,Z,AC ,AE,B N-CP, DS,DT DW,DY ,DZ	1
-96	114T4242-16		.RETAINER	Q-X,A A,AB, AD,AF ,CQ-D R,DU DV,DX ,EA, EB	1

**57-43-55**

ILLUSTRATED PARTS LIST  
01.1 Page 1060C  
Nov 01/00

FIG. & ITEM	PART NO.	AIRLINE PART NUMBER	NOMENCLATURE 1234567	EFF CODE	QTY PER ASSY
04-98	BACB30NN3K6		.BOLT	D-L, Q-AF, BN-EB	2
100	AN960PD10L		.WASHER	D-K, Q-W, Y-AF, BN-DR	2
-100A	NAS1149D0332J		.WASHER	L,X,D S-EB	2
102	H10-3BAC		.NUT- (V15653) (SPEC BACN10JC3) (OPT NS202101-02 (V80539)) (OPT RMLH9075-3W (V72962)) (OPT T6S1032J (V71087)) (OPT VN303A02 (V92215)) (OPT 96-02 (V80539)) (OPT BRH10A3 (V52828))	D-K, Q-W, Y-AF, BN-DR	2
-102A	BACN10JC3CD		.NUT	L,X,D S-EB	2
104	114T4235-8		.RETAINER	D-L, Q-AF, BN-EB	1
106	114T4237-11		.SEAL	D-L,Y ,Z,AC ,AE,B N-CP, DS,DT DW,DY ,DZ	1

# 57-43-55

 ILLUSTRATED PARTS LIST  
 01.1 Page 1060D  
 Nov 01/00

 **BOEING**  
COMPONENT  
MAINTENANCE MANUAL

FIG. & ITEM	PART NO.	AIRLINE PART NUMBER	NOMENCLATURE 1234567	EFF CODE	QTY PER ASSY
04- -108	114T4237-12		.SEAL	Q-X,A A,AB, AD,AF ,CQ-D R,DU DV,DX ,EA, EB	1
110	BACB30NN3K5		.BOLT	D-L, Q-AF, BN-EB	2
112	BACB30NN3K4		.BOLT	D-L, Q-AF, BN-EB	13
114	BACR15BA3AD		.RIVET- (SIZE DETERMINE ON INST)	D-L, Q-AF, BN-EB	4
116	BRFM20A3		.NUTPLATE- (V52828) (SPEC BACN10JN3) (OPT MF1000-3BAC (V15653)) (OPT NS103218-02 (V80539)) (OPT RMF9201M3 (V72962)) (OPT VN252A02 (V92215)) (OPT MF1000-3BAC (V15653)) (OPT MF53049-3 (V15653))	D-L, Q-AF, BN-EB	2

**57-43-55**

ILLUSTRATED PARTS LIST  
01.1 Page 1060E  
Nov 01/00

FIG. & ITEM	PART NO.	AIRLINE PART NUMBER	NOMENCLATURE 1234567	EFF CODE	QTY PER ASSY
04-118	114T4231-48		.RETAINER	D-L, Q-AF, BN-EB	1
120	114T4231-52		.RETAINER	D-L, Q-AF, BN-EB	1
122	114T4231-56		.RETAINER	D-L, Q-AF, BN-EB	1
124	114T4231-15		.RETAINER	D-L, Q-AF, BN-EB	1
126	114T4230-4		.SEAL- (MFD FROM SH RUBBER BMS1-50 TYPE II GRADE 60 F25.01 0.094 IN. 1.25 IN. 7.60 IN.)	D-L, Q-AF, BN-EB	1
128	114T4230-7		.SEAL- (MFD FROM SH RUBBER BMS1-50 TYPE II GRADE 60 F25.01 0.094 IN. 1.25 IN. 7.90 IN.)	D-L, Q-AF, BN-EB	1
130	114T4230-12		.SEAL- (MFD FROM SH RUBBER BMS1-50 TYPE II GRADE 60 F25.01 0.094 IN. 1.25 IN. 5.40 IN.)	D-L, Q-AF, BN-EB	1
132	114T4230-15		.SEAL- (MFD FROM SH RUBBER BMS1-50 TYPE II GRADE 60 F25.01 0.094 IN. 1.25 IN. 1.70 IN.)	D-L, Q-AF, BN-EB	1

# 57-43-55

 ILLUSTRATED PARTS LIST  
 01.1 Page 1060F  
 Nov 01/00

 **BOEING**  
COMPONENT  
MAINTENANCE MANUAL

FIG. & ITEM	PART NO.	AIRLINE PART NUMBER	NOMENCLATURE 1234567	EFF CODE	QTY PER ASSY
04-134	BACB30NU3K4		.BOLT	D-L, Q-AF, BN-EB	12
136	BACB30NT3K5		.BOLT	D-L, Q-AF, BN-EB	1
138	BACB30NT3K3		.BOLT	D-L, Q-AF, BN-EB	20
140	BACR15CE5KE		.RIVET- (SIZE DETERMINE ON INST)	D-L, Q-AF, BN-EB	1
142	BACR15FT5AD		.RIVET- (SIZE DETERMINE ON INST)	D-L, Q-AF, BN-EB	9
144	114T4264-1		.PANEL-COVE	D-L,Y ,Z,AC ,AE,B N-CP, DS,DT DW,DY ,DZ	1
146	114T4264-2		.PANEL-COVE	Q-X,A A,AB, AD,AF ,CQ-D R,DU DV,DX ,EA, EB	1
148	BACR15BA3AD		.RIVET- (SIZE DETERMINE ON INST)	D-L, Q-AF, BN-EB	50
150	BACN10JQ32		.NUTPLATE	D-K, Q-W, Y-AF, BN-DR	25
-150A	MF19058-3-2BAC		.NUTPLATE- (V15653) (SPEC BACN10YF32)	L,X,D S-EB	25

**57-43-55**

ILLUSTRATED PARTS LIST  
01.1 Page 1060G  
Nov 01/00

FIG. & ITEM	PART NO.	AIRLINE PART NUMBER	NOMENCLATURE 1234567	EFF CODE	QTY PER ASSY
04-152	BACB30NN3K6		.BOLT	D-L, Q-AF, BN-EB	19
154	BACB30NT3K7		.BOLT	D-L, Q-AF, BN-EB	78
156	114T4264-25		.PANEL-COVE	D-L,Y ,Z,AC ,AE,B N-DP, DS,DT DW,DY ,DZ	1
158	114T4264-26		.PANEL-COVE	Q-X,A A,AB, AD,AF ,CQ-D R,DU DV,DX ,EA, EB	1
160	114T4110-57		.STIFFENER	D-L, Q-AF, BN-EB	1
162	BACR15BA3AD		.RIVET- (SIZE DETERMINE ON INST)	D-L, Q-AF, BN-EB	8
164	114T4110-59		.STIFFENER	D-L,Y ,Z,AC ,AE,B N-CP, DS,DT DW,DY ,DZ	1

# 57-43-55

 ILLUSTRATED PARTS LIST  
 01.1 Page 1060H  
 Nov 01/00

 **BOEING**  
COMPONENT  
MAINTENANCE MANUAL

FIG. & ITEM	PART NO.	AIRLINE PART NUMBER	NOMENCLATURE 1234567	EFF CODE	QTY PER ASSY
04- -166	114T4110-60		.STIFFENER	Q-X,A A,AB, AD,AF ,CQ-D R,DU DV,DX ,EA, EB	1
168	BACR15BA3AD		.RIVET- (SIZE DETERMINE ON INST)	D-L, Q-AF, BN-EB	114
170	NS103225-02		.NUTPLATE- (V80539) (SPEC BACN10KH3) (OPT RMF9209M3 (V72962)) (OPT F29779-3 (V15653))	D-L, Q-AF, BN-EB	4
172	NAS1195DD3KH		.SHIM	D-L, Q-AF, BN-EB	2
174	BACN10JQ34		.NUTPLATE	D-K, Q-W, Y-AF, BN-DR	17
-174A	MF19058-3-4BAC		.NUTPLATE- (V15653) (SPEC BACN10YF34)	L,X,D S-EB	17
176	BACN10JQ35		.NUTPLATE	D-K, Q-W, Y-AF, BN-DR	26

**57-43-55**

ILLUSTRATED PARTS LIST  
01.1 Page 1060I  
Nov 01/00



FIG. & ITEM	PART NO.	AIRLINE PART NUMBER	NOMENCLATURE 1234567	EFF CODE	QTY PER ASSY
04- -176A	MF19058-3-5BAC		.NUTPLATE- (V15653) (SPEC BACN10YF35)	L,X,D S-EB	26
178	BACN10JQ36		.NUTPLATE	D-K, Q-W, Y-AF, BN-DR	10
-178A	MF19058-3-6BAC		.NUTPLATE- (V15653) (SPEC BACN10YF36)	L,X,D S-EB	10
180	BACB30NU3K5		.BOLT	D-K, Q-W, Y-AF, BN-DR	2
-180A	BACB30VF3K5		.BOLT	L,X,D S-EB	2
182	BACB30NT3K5		.BOLT	D-L, Q-AF, BN-EB	2
184	AN960PD10		.WASHER	D-K, Q-W, Y-AF, BN-DR	4
-184A	NAS1149D0363J		.WASHER	L,X,D S-EB	4
186	H10-3BAC		.NUT- (V15653) (SPEC BACN10JC3) (OPT NS202101-02 (V80539)) (OPT RMLH9075-3W (V72962)) (OPT T6S1032J (V71087)) (OPT VN303A02 (V92215)) (OPT 96-02 (V80539)) (OPT BRH10A3 (V52828))	D-K, Q-W, Y-AF, BN-DR	4
-186A	BACN10JC3CD		.NUT	L,X,D S-EB	4

# 57-43-55

 ILLUSTRATED PARTS LIST  
 01.1 Page 1060J  
 Nov 01/00

 **BOEING**  
COMPONENT  
MAINTENANCE MANUAL

FIG. & ITEM	PART NO.	AIRLINE PART NUMBER	NOMENCLATURE 1234567	EFF CODE	QTY PER ASSY
04-188	BACR15CE5KE		.RIVET- (SIZE DETERMINE ON INST)	D-L, Q-AF, BN-EB	6
190	BACR15FT5AD		.RIVET- (SIZE DETERMINE ON INST)	D-L, Q-AF, BN-EB	42
192	114T4264-21		.PANEL-COVER	D-L,Y ,Z,AC ,AE,B N-CP, DS,DT DW,DY ,DZ	1
-194	114T4264-22		.PANEL-COVER	Q-X,A A,AB, AD,AF ,CQ-D R,DU DV,DX ,EA, EB	1
196	114T4110-61		.STIFFENER	D-L, Q-AF, BN-EB	1
198	BACB30NN3K6		.BOLT	D-L, Q-AF, BN-EB	5
200	BACB30NT3K7		.BOLT	D-L, Q-AF, BN-EB	20

**57-43-55**

ILLUSTRATED PARTS LIST  
01.1 Page 1060K  
Nov 01/00

FIG. & ITEM	PART NO.	AIRLINE PART NUMBER	NOMENCLATURE 1234567	EFF CODE	QTY PER ASSY
04-202	114T4264-7		.PANEL-COVE	D-L,Y ,Z,AC ,AE,B N-CP, DS,DT DW,DY ,DZ	1
-204	114T4264-8		.PANEL-COVE	Q-X,A A,AB, AD,AF ,CQ-D R,DU DV,DX ,EA, EB	1
206	114T4110-63		.STIFFENER	D-L, Q-AF, BN-EB	1
208	BACR15BA3AD		.RIVET- (SIZE DETERMINE ON INST)	D-L, Q-AF, BN-EB	50
210	BACN10JQ36		.NUTPLATE	D-K, Q-W, Y-AF, BN-DR	6
-210A	MF19058-3-6BAC		.NUTPLATE- (V15653) (SPEC BACN10YF36)	L,X,D S-EB	6
212	BACN10JQ35		.NUTPLATE	D-K, Q-W, Y-AF, BN-DR	14
-212A	MF19058-3-5BAC		.NUTPLATE- (V15653) (SPEC BACN10YF35)	L,X,D S-EB	14
214	BACN10JQ34		.NUTPLATE	D-K, Q-W, Y-AF, BN-DR	4
-214A	MF19058-3-4BAC		.NUTPLATE- (V15653) (SPEC BACN10YF34)	L,X,D S-EB	4

# 57-43-55

 ILLUSTRATED PARTS LIST  
 01.1 Page 1060L  
 Nov 01/00

 **BOEING**  
COMPONENT  
MAINTENANCE MANUAL

FIG. & ITEM	PART NO.	AIRLINE PART NUMBER	NOMENCLATURE 1234567	EFF CODE	QTY PER ASSY
04-216	BACN10JQ33		.NUTPLATE	D-K, Q-W, Y-AF, BN-DR	1
-216A	MF19058-3-3BAC		.NUTPLATE- (V15653) (SPEC BACN10YF33)	L,X,D S-EB	1
218	BACB30NT3K5		.BOLT	D-L, Q-AF, BN-EB	4
220	BACB30NN3K6		.BOLT	D-L, Q-AF, BN-EB	2
222	114T4302-4		.FITTING-ALIGN.	D-L, Q-AF, BN-EB	1
224	BACR15CE5KE		.RIVET- (SIZE DETERMINE ON INST)	D-L, Q-AF, BN-EB	14
226	BACR15FT5AD		.RIVET- (SIZE DETERMINE ON INST)	D-L, Q-AF, BN-EB	48
228	114T4264-9		.PANEL-COVE	D-L,Y ,Z,AC ,AE,B N-CP, DS,DT DW,DY ,DZ	1

**57-43-55**

ILLUSTRATED PARTS LIST  
01.1 Page 1060M  
Nov 01/00

FIG. & ITEM	PART NO.	AIRLINE PART NUMBER	NOMENCLATURE 1234567	EFF CODE	QTY PER ASSY
04- -230	114T4264-10		.PANEL-COVE	Q-X,A A,AB, AD,AF ,CQ-D R,DU DV,DX ,EA, EB	1
232	114T4110-65		.STIFFENER	D-L, Q-AF, BN-EB	1
234	BACR15BA3AD		.RIVET- (SIZE DETERMINE ON INST)	D-L, Q-AF, BN-EB	4
236	NS103225-02		.NUTPLATE- (V80539) (SPEC BACN10KH3) (OPT RMF9209M3 (V72962)) (OPT F29779-3 (V15653))	D-L, Q-AF, BN-EB	2
238	NAS1195DD3KH		.SHIM	D-L, Q-AF, BN-EB	2
240	BACB30NT3K7		.BOLT	D-L, Q-AF, BN-EB	22
242	BACB30NN3K6		.BOLT	D-L, Q-AF, BN-EB	5
244	114T4264-11		.PANEL-COVE	D-L,Y ,Z,AC ,AE,B N-CP, DS,DT DW,DY ,DZ	1

# 57-43-55

 ILLUSTRATED PARTS LIST  
 01.1 Page 1060N  
 Nov 01/00

 **BOEING**  
COMPONENT  
MAINTENANCE MANUAL

FIG. & ITEM	PART NO.	AIRLINE PART NUMBER	NOMENCLATURE 1234567	EFF CODE	QTY PER ASSY
04- -246	114T4264-12		.PANEL-COVE	Q-X,A A,AB, AD,AF ,CQ-D R,DU DV,DX ,EA, EB	1
248	114T4110-67		.STIFFENER	D-L, Q-AF, BN-EB	1
250	BACR15BA3AD		.RIVET- (SIZE DETERMINE ON INST)	D-L, Q-AF, BN-EB	54
252	BACN10JQ36		.NUTPLATE	D-K, Q-W, Y-AF, BN-DR	6
-252A	MF19058-3-6BAC		.NUTPLATE- (V15653) (SPEC BACN10YF36)	L,X,D S-EB	6
254	BACN10JQ35		.NUTPLATE	D-K, Q-W, Y-AF, BN-DR	16
-254A	MF19058-3-5BAC		.NUTPLATE- (V15653) (SPEC BACN10YF35)	L,X,D S-EB	16
256	BACN10JQ34		.NUTPLATE	D-K, Q-W, Y-AF, BN-DR	4

**57-43-55**

ILLUSTRATED PARTS LIST  
01.1 Page 10600  
Nov 01/00

FIG. & ITEM	PART NO.	AIRLINE PART NUMBER	NOMENCLATURE 1234567	EFF CODE	QTY PER ASSY
04- -256A	MF19058-3-4BAC		.NUTPLATE- (V15653) (SPEC BACN10YF34)	L,X,D S-EB	4
258	BACN10JQ33		.NUTPLATE	D-K, Q-W, Y-AF, BN-DR	1
-258A	MF19058-3-3BAC		.NUTPLATE- (V15653) (SPEC BACN10YF33)	L,X,D S-EB	1
260	BACB30NU3K5		.BOLT	D-K, Q-W, Y-AF, BN-DR	2
-260A	BACB30VF3K5		.BOLT	L,X,D S-EB	2
262	BACB30NT3K5		.BOLT	D-L, Q-AF, BN-EB	2
264	BACB30NT3K4		.BOLT	D-L, Q-AF, BN-EB	1
266	BACB30NT3K3		.BOLT	D-L, Q-AF, BN-EB	3
268	AN960PD10		.WASHER	D-K, Q-W, Y-AF, BN-DR	4
-268A	NAS1149D0363J		.WASHER	L,X,D S-EB	4

# 57-43-55

 ILLUSTRATED PARTS LIST  
 01.1 Page 1060P  
 Nov 01/00

 **BOEING**  
COMPONENT  
MAINTENANCE MANUAL

FIG. & ITEM	PART NO.	AIRLINE PART NUMBER	NOMENCLATURE 1234567	EFF CODE	QTY PER ASSY
04-270	H10-3BAC		.NUT- (V15653) (SPEC BACN10JC3) (OPT NS202101-02 (V80539)) (OPT RMLH9075-3W (V72962)) (OPT T6S1032J (V71087)) (OPT VN303A02 (V92215)) (OPT 96-02 (V80539)) (OPT BRH10A3 (V52828))	D-K, Q-W, Y-AF, BN-DR	4
-270A	BACN10JC3CD		.NUT	L,X,D S-EB	4
272	BACR15CE6KE		.RIVET- (SIZE DETERMINE ON INST)	D-L, Q-AF, BN-EB	6
274	BACR15FT6AD		.RIVET- (SIZE DETERMINE ON INST)	D-L, Q-AF, BN-EB	38
276	114T4264-23		.PANEL-COVE	D-L,Y ,Z,AC ,AE,B N-CP, DS,DT DW,DY ,DZ	1

**57-43-55**

ILLUSTRATED PARTS LIST  
01.1 Page 1060Q  
Nov 01/00



FIG. & ITEM	PART NO.	AIRLINE PART NUMBER	NOMENCLATURE 1234567	EFF CODE	QTY PER ASSY
04- -278	114T4264-24		.PANEL-COVE	Q-X,A A,AB, AD,AF ,CQ-D R,DU DV,DX ,EA, EB	1
280	114T4110-69		.STIFFENER	D-L, Q-AF, BN-EB	1
282	BACR15BA3AD		.RIVET- (SIZE DETERMINE ON INST)	D-L, Q-AF, BN-EB	8
284	BRFM20A3		.NUTPLATE- (V52828) (SPEC BACN10JN3) (OPT MF1000-3BAC (V15653)) (OPT NS103218-02 (V80539)) (OPT RMF9201M3 (V72962)) (OPT VN252A02 (V92215)) (OPT MF1000-3BAC (V15653)) (OPT MF53049-3 (V15653))	D-L, Q-AF, BN-EB	4
286	BACB30NT3K7		.BOLT	D-L, Q-AF, BN-EB	83
288	BACB30NN3K6		.BOLT	D-L, Q-AF, BN-EB	19

# 57-43-55

 ILLUSTRATED PARTS LIST  
 01.1 Page 1060R  
 Nov 01/00

**BOEING**  
COMPONENT  
MAINTENANCE MANUAL

FIG. & ITEM	PART NO.	AIRLINE PART NUMBER	NOMENCLATURE 1234567	EFF CODE	QTY PER ASSY
04-290	114T4264-27		.PANEL-COVE	D-L, Y ,Z, AC ,AE, B N-CP, DS, DT DW, DY ,DZ	1
-292	114T4264-28		.PANEL-COVE	Q-X, A A, AB, AD, AF ,CQ-D R, DU DV, DX ,EA, EB	1
294	114T4110-71		.STIFFENER	D-L, Q-AF, BN-EB	1
296	BACR15BA5AD		.RIVET- (SIZE DETERMINE ON INST)	D-L, Q-AF, BN-EB	2
298	114T4110-73		.STIFFENER	D-L, Y ,Z, AC ,AE, B N-CP, DS, DT DW, DY ,DZ	1
-300	114T4110-74		.STIFFENER	Q-X, A A, AB, AD, AF ,CQ-D R, DU DV, DX ,EA, EB	1
302	BACR15BA3AD		.RIVET- (SIZE DETERMINE ON INST)	D-L, Q-AF, BN-EB	120
304	BACN10JQ36		.NUTPLATE	D-K, Q-W, Y-AF, BN-DR	10

**57-43-55**

ILLUSTRATED PARTS LIST  
01.1 Page 1060S  
Nov 01/00

FIG. & ITEM	PART NO.	AIRLINE PART NUMBER	NOMENCLATURE 1234567	EFF CODE	QTY PER ASSY
04- -304A	MF19058-3-6BAC		.NUTPLATE- (V15653) (SPEC BACN10YF36)	L,X,D S-EB	10
306	BACN10JQ35		.NUTPLATE	D-K, Q-W, Y-AF, BN-DR	29
-306A	MF19058-3-5BAC		.NUTPLATE- (V15653) (SPEC BACN10YF35)	L,X,D S-EB	29
308	BACN10JQ34		.NUTPLATE	D-K, Q-W, Y-AF, BN-DR	17
-308A	MF19058-3-4BAC		.NUTPLATE- (V15653) (SPEC BACN10YF34)	L,X,D S-EB	17
310	NS103225-02		.NUTPLATE- (V80539) (SPEC BACN10KH3) (OPT RMF9209M3 (V72962)) (OPT F29779-3 (V15653))	D-L, Q-AF, BN-EB	4
312	NAS1195DD3KH		.SHIM	D-L, Q-AF, BN-EB	2
314	BACB30NU3K4		.BOLT	D-L, Q-AF, BN-EB	12

# 57-43-55

 ILLUSTRATED PARTS LIST  
 01.1 Page 1060T  
 Nov 01/00

 **BOEING**  
COMPONENT  
MAINTENANCE MANUAL

FIG. & ITEM	PART NO.	AIRLINE PART NUMBER	NOMENCLATURE 1234567	EFF CODE	QTY PER ASSY
04-316	BACB30NT3K5		.BOLT	D-L, Q-AF, BN-EB	1
318	BACB30NT3K3		.BOLT	D-L, Q-AF, BN-EB	20
320	BACR15CE5KE		.RIVET- (SIZE DETERMINE ON INST)	D-L, Q-AF, BN-EB	1
322	BACR15FT5AD		.RIVET- (SIZE DETERMINE ON INST)	D-L, Q-AF, BN-EB	9
324	114T4264-17		.PANEL-COVE	D-L,Y ,Z,AC ,AE,B N-CP, DS,DT DW,DY ,DZ	1
326	114T4264-18		.PANEL-COVE	Q-X,A A,AB, AD,AF ,CQ-D R,DU DV,DX ,EA, EB	1
328	114T4110-75		.STIFFENER	D-L, Q-AF, BN-EB	1
330	BACR15BA3AD		.RIVET- (SIZE DETERMINE ON INST)	D-L, Q-AF, BN-EB	48

**57-43-55**

ILLUSTRATED PARTS LIST  
01.1 Page 1060U  
Nov 01/00

FIG. & ITEM	PART NO.	AIRLINE PART NUMBER	NOMENCLATURE 1234567	EFF CODE	QTY PER ASSY
04-332	BACN10JQ32		.NUTPLATE	D-K, Q-W, Y-AF, BN-DR	24
-332A	MF19058-3-2BAC		.NUTPLATE- (V15653) (SPEC BACN10YF32)	L,X,D S-EB	24
334	114T4114-7		.WEDGE ASSY- (OPT ITEM 336) (PRE SB 767-57A0039) (PRE SB 767-57A00570)	D-J,Y	1
-336	114T4114-9		.WEDGE ASSY- (OPT ITEM 334) (PRE SB 767-57A0039) (PRE SB 767-57A0057)	D-J,Y	1
-336A	114T4114-11		.WEDGE ASSY- (-11 IS INTERCHANGEABLE WITH THE -17 OR -19 ONLY IF CUSTOMER COMPLIES WITH A/D 93-14-19) (PRE SB 767-57A0039) (PRE SB 767-57A0057)	K,Z	1
-336B	114T4114-17		.WEDGE ASSY- (-11 IS INTERCHANGEABLE WITH THE -17 OR -19 ONLY IF CUSTOMER COMPLIES WITH A/D 93-14-19) (POST SB 767-57A0039) (POST SB 767-57A0057)	L,AC, AE,BN ,BQ,B S,BU, BW-BY CC,CE ,CG,C J,CL, CN,DT	1
-336C	114T4114-19		.WEDGE ASSY- (POST SB 767-57A0057)	BP,BR ,BT,B V,B Z-CB, CD,CF CH,CK ,CM,C P,DS, DW,DY ,DZ	1

# 57-43-55

 ILLUSTRATED PARTS LIST  
 01.1 Page 1060V  
 Nov 01/00

**BOEING**  
COMPONENT  
MAINTENANCE MANUAL

FIG. & ITEM	PART NO.	AIRLINE PART NUMBER	NOMENCLATURE	EFF CODE	QTY PER ASSY
			1234567		
04- -338	114T4114-8		.WEDGE ASSY- (OPT ITEM 340) (PRE SB 767-57A0039) (PRE SB 767-57A0057)	Q-V,A A	1
-340	114T4114-10		.WEDGE ASSY- (OPT ITEM 338) (PRE SB 767-57A0039) (PRE SB 767-57A0057)	Q-V,A A	1
-340A	114T4114-12		.WEDGE ASSY- (-12 IS INTERCHANGEABLE WITH -18 OR -20 ONLY IF CUSTOMER COMPLIES WITH A/D 93-14-19) (PRE SB 767-57A0039) (PRE SB 767-57A0057)	W,AB	1
-340B	114T4114-18		.WEDGE ASSY- (-12 IS INTERCHANGEABLE WITH -18 OR -20 ONLY IF CUSTOMER COMPLIES WITH A/D 93-14-19) (POST SB 767-57A0039) (POST SB 767-57A0057)	X,AD, AF,CQ ,CS,C U,CW, CY-DA DE,DG ,DJ,D L,DN, DQ,DV CR,CT ,CV,C X,D B-DD, DF,DH DK,DM ,DP,D R,DU, DX,EA ,EB	1
-340C	114T4114-20		.WEDGE ASSY- (POST SB 767-57A0057)		1
			ATTACHING PARTS		

57-43-55

FIG. & ITEM	PART NO.	AIRLINE PART NUMBER	NOMENCLATURE 1234567	EFF CODE	QTY PER ASSY
04-342	BACB30NW6K		.BOLT- (SIZE DETERMINE ON INST)	D-L, Q-AF, BN-EB	34
344	HL79-6		.COLLAR- (V56878) (SPEC BACC30M6) (OPT HL79-6 (V73197)) (OPT HL79-6 (V92215)) (OPT 66014-6 (V56878)) (OPT HL79-6 (V5M902))	D-L, Q-AF, BN-EB	34
346	BACR15CE5KE		.RIVET- (SIZE DETERMINE ON INST)	D-L, Q-AF, BN-EB	130
348	BACS40R09C18F		.SHIM	D-K, Q-W, Y-AF, BN-DR	7
-348A	BACS40R009C018F		.SHIM	L,X,D S-EB	7
350	BACS40R09C09F		.SHIM	D-K, Q-W, Y-AF, BN-DR	2
-350A	BACS40R009C009F		.SHIM	L,X,D S-EB	2
352	114T4159-1		-----*----- .PANEL ASSY-ACCESS	D-L,Y ,Z,AC ,AE,B N-CP, DS,DT DW,DY ,DZ	1

# 57-43-55

 ILLUSTRATED PARTS LIST  
 01.1 Page 1060X  
 Nov 01/00

 **BOEING**  
COMPONENT  
MAINTENANCE MANUAL

FIG. & ITEM	PART NO.	AIRLINE PART NUMBER	NOMENCLATURE 1234567	EFF CODE	QTY PER ASSY
04- -354	114T4159-2		.PANEL ASSY-ACCESS	Q-X,A A,AB, AD,AF ,CQ-D R,DU DV,DX ,EA, EB	1
356	114T4159-3		.PANEL ASSY-ACCESS	D-L,Y ,Z,AC ,AE,B N-CP, DS,DT DW,DY ,DZ	1
-358	114T4159-4		.PANEL ASSY-ACCESS	Q-X,A A,AB, AD,AF ,CQ-D R,DU DV,DX ,EA, EB	1
360	BACB30NN3K5		ATTACHING PARTS .BOLT  -----*-----	D-L, Q-AF,  BN-EB	63
362	BACR15BA3AD		.RIVET- (SIZE DETERMINE ON INST)	D-L, Q-AF, BN-EB	106

57-43-55

ILLUSTRATED PARTS LIST  
01.1 Page 1060Y  
Nov 01/00



FIG. & ITEM	PART NO.	AIRLINE PART NUMBER	NOMENCLATURE 1234567	EFF CODE	QTY PER ASSY
04-364	BACN10JQ34		.NUTPLATE	D-K, Q-W, Y-AF, BN-DR	34
-364A	MF19058-3-4BAC		.NUTPLATE- (V15653) (SPEC BACN10YF34)	L,X,D S-EB	34
366	BACN10JQ32		.NUTPLATE	D-K, Q-W, Y-AF, BN-DR	16
-366A	MF19058-3-2BAC		.NUTPLATE- (V15653) (SPEC BACN10YF32)	L,X,D S-EB	16
368	NS103225-02		.NUTPLATE- (V80539) (SPEC BACN10KH3) (OPT RMF9209M3 (V72962)) (OPT F29779-3 (V15653))	D-L, Q-AF, BN-EB	4
370	NAS1195DD3KH		.SHIM	D-L, Q-AF, BN-EB	4
372	BACB30NN3K4		.BOLT	D-L, Q-AF, BN-EB	4
374	BACR15BA3AD		.RIVET- (SIZE DETERMINE ON INST)	D-L, Q-AF, BN-EB	8
376	BRFM20A3		.NUTPLATE- (V52828) (SPEC BACN10JN3) (OPT MF1000-3BAC (V15653)) (OPT NS103218-02 (V80539)) (OPT RMF9201M3 (V72962)) (OPT VN252A02 (V92215)) (OPT MF1000-3BAC (V15653)) (OPT MF53049-3 (V15653))	D-L, Q-AF, BN-EB	4

# 57-43-55

 ILLUSTRATED PARTS LIST  
 01.1 Page 1060Z  
 Nov 01/00

 **BOEING**  
COMPONENT  
MAINTENANCE MANUAL

FIG. & ITEM	PART NO.	AIRLINE PART NUMBER	NOMENCLATURE 1234567	EFF CODE	QTY PER ASSY
04-378	114T4606-21		.RIB ASSY-ACTR (VARIABLE)	D,BN, BP	1
-378A	114T4606-13		DELETED		
-378B	114T4606-25		.RIB ASSY-ACTR	E-L, Y, Z, AC, AE, B, Q-CP, DS, DT, DW, DY, DZ	1
-378C	114T4606-401		.RIB ASSY-ACTR	DW, DY, DZ	1
-380	114T4606-22		.RIB ASSY-ACTR (VARIABLE)	Q, CQ, CR	1
-380A	114T4606-14		DELETED		
-380B	114T4606-26		.RIB ASSY-ACTR	R-X, A, AB, AD, AF, CS-D, R, DU, DVDU	1
-380C	114T4606-402		.RIB ASSY-ACTR	DX, EA, EB	1
382	BACB30NU3K5		ATTACHING PARTS .BOLT	D-K, Q-W, Y-AF, BN-DR	4
-382A	BACB30VF3K5		.BOLT	L, X, D, S-EB	4
384	BACB30NU3K4		.BOLT	D-F, Q-S, B, N-BT, CQ-CV	2
-384A	BACB30NU3K6		.BOLT	G-K, T-W, Y-AF, BU-CP, CW-D, R	2
-384B	BACB30VF3K6		.BOLT	L, X, D, S-EB	2

**57-43-55**

FIG. & ITEM	PART NO.	AIRLINE PART NUMBER	NOMENCLATURE 1234567	EFF CODE	QTY PER ASSY
04-386	AN960PD10		.WASHER	D-K, Q-W, Y-AF, BN-DR	6
-386A	NAS1149D0363J		.WASHER	L,X,D S-EB	6
388	H10-3BAC		.NUT- (V15653) (SPEC BACN10JC3) (OPT NS202101-02 (V80539)) (OPT RMLH9075-3W (V72962)) (OPT T6S1032J (V71087)) (OPT VN303A02 (V92215)) (OPT 96-02 (V80539)) (OPT BRH10A3 (V52828))	D-K, Q-W, Y-AF, BN-DR	6
-388A	BACN10JC3CD		.NUT	L,X,D S-EB	6
390	BACB30MY6K		.BOLT- (SIZE DETERMINE ON INST)	D-L, Q-AF, BN-EB	2
392	BACB30NW6K		.BOLT- (SIZE DETERMINE ON INST)	D-L, Q-AF, BN-EB	6

# 57-43-55

 ILLUSTRATED PARTS LIST  
 01.1 Page 1062  
 Nov 01/00

**BOEING**  
COMPONENT  
MAINTENANCE MANUAL

FIG. & ITEM	PART NO.	AIRLINE PART NUMBER	NOMENCLATURE 1234567	EFF CODE	QTY PER ASSY
04-394	HL79-6		.COLLAR- (V56878) (SPEC BACC30M6) (OPT HL79-6 (V73197)) (OPT HL79-6 (V92215)) (OPT 66014-6 (V56878)) (OPT HL79-6 (V5M902))	D-L, Q-AF, BN-EB	8
396	BACR15FT6AD		.RIVET- (SIZE DETERMINE ON INST)	D-L, Q-AF, BN-EB	10
398	BACS4OR09C18F		.SHIM	D-K, Q-W, Y-AF, BN-DR	1
-398A	BACS4OR009C018F		.SHIM	L,X,D S-EB	1
			-----*		
400	BACB28AM07B020A		..BUSHING	D-L, Q-AF, BN-DV	1
-400A	BACB28AT08B019C		..BUSHING	DW-EB	1
402	BACB28AP05P019		..BUSHING	D-L, Q-AF, BN-DV	1
-402A	BACB28AP06P019		..BUSHING	DW-EB	1
404	BACR15BA3AD		..RIVET- (SIZE DETERMINE ON INST)	D-L, Q-AF, BN-EB	36
406	BACN10JQ33		..NUTPLATE	D-L, Q-AF, BN-DV	10
-406A	MF19058-3-3BAC		..NUTPLATE- (V15653) (SPEC BACN10YF33)	DW-EB	10
408	BACN10JQ34		..NUTPLATE	D-L, Q-AF, BN-DV	6

57-43-55

ILLUSTRATED PARTS LIST  
01.1 Page 1062A  
Nov 01/00

FIG. & ITEM	PART NO.	AIRLINE PART NUMBER	NOMENCLATURE 1234567	EFF CODE	QTY PER ASSY
04- -408A	MF19058-3-4BAC		..NUTPLATE- (V15653) (SPEC BACN10YF34)	DW-EB	6
410	NS103225-02		..NUTPLATE- (V80539) (SPEC BACN10KH3) (OPT RMF9209M3 (V72962)) (OPT F29779-3 (V15653))	D-L, Q-AF, BN-EB	2
412	NAS1195DD3KH		..SHIM	D-L, Q-AF, BN-DV	4
414	114T4606-23		..RIB	D-L,Y ,Z,AC ,AE,B N-CP, DS,DT	1
-414A	114T4606-15		DELETED		
-414B	114T4606-403		..RIB	DW,DY ,DZ	1
-416	114T4606-24		..RIB	Q-X,A A,AB, AD,AF ,CQ-D R,DU DVDU	1
-416A	114T4606-16		DELETED		
-416B	114T4606-404		..RIB	DX,EA ,EB	1
418	114T4607-21		.RIB ASSY-ACTR (VARIABLE)	D,BN, BP	1
-418A	114T4607-13		DELETED		

# 57-43-55

 ILLUSTRATED PARTS LIST  
 01.1 Page 1062B  
 Nov 01/00

 **BOEING**  
COMPONENT  
MAINTENANCE MANUAL

FIG. & ITEM	PART NO.	AIRLINE PART NUMBER	NOMENCLATURE 1234567	EFF CODE	QTY PER ASSY
04- -418B	114T4607-25		.RIB ASSY-ACTR	E-L,Y ,Z,AC ,AE,B Q-CP, DS,DT DW,DY ,DZ	1
-418C	114T4607-401		.RIB ASSY-ACTR	DW,DY ,DZ	1
-420	114T4607-22		.RIB ASSY-ACTR (VARIABLE)	Q,CQ, CR	1
-420A	114T4607-14		DELETED		
-420B	114T4607-26		.RIB ASSY-ACTR	R-X,A A,AB, AD,AF ,CS-D R,DU DVDU	1
-420C	114T4607-402		.RIB ASSY-ACTR	DX,EA ,EB	1
422	BACB30NU3K5		ATTACHING PARTS .BOLT	D-K, Q-W, Y-AF, BN-DR	4
-422A	BACB30VF3K5		.BOLT	L,X,D S-EB	4
424	BACB30NU3K4		.BOLT	D-F, Q-S,B N-BT, CQ-CV	2
-424A	BACB30NU3K6		.BOLT	G-K, T-W, Y-AF, BU-CP ,CW-D R	2
-424B	BACB30VF3K6		.BOLT	L,X,D S-EB	2

**57-43-55**

ILLUSTRATED PARTS LIST  
01.1 Page 1062C  
Nov 01/00

FIG. & ITEM	PART NO.	AIRLINE PART NUMBER	NOMENCLATURE 1234567	EFF CODE	QTY PER ASSY
04-426	AN960PD10		.WASHER	D-K, Q-W, Y-AF, BN-DR	6
-426A	NAS1149D0363J		.WASHER	L,X,D S-EB	6
428	H10-3BAC		.NUT- (V15653) (SPEC BACN10JC3) (OPT NS202101-02 (V80539)) (OPT RMLH9075-3W (V72962)) (OPT T6S1032J (V71087)) (OPT VN303A02 (V92215)) (OPT 96-02 (V80539)) (OPT BRH10A3 (V52828))	D-K, Q-W, Y-AF, BN-DR	6
-428A	BACN10JC3CD		.NUT	L,X,D S-EB	6
430	BACB30MY6K		.BOLT- (SIZE DETERMINE ON INST)	D-L, Q-AF, BN-EB	4
432	BACB30NW6K		.BOLT- (SIZE DETERMINE ON INST)	D-L, Q-AF, BN-EB	6
434	HL79-6		.COLLAR- (V56878) (SPEC BACC30M6) (OPT HL79-6 (V73197)) (OPT HL79-6 (V92215)) (OPT 66014-6 (V56878)) (OPT HL79-6 (V5M902))	D-L, Q-AF, BN-EB	8

# 57-43-55

 ILLUSTRATED PARTS LIST  
 01.1 Page 1062D  
 Nov 01/00

 **BOEING**  
COMPONENT  
MAINTENANCE MANUAL

FIG. & ITEM	PART NO.	AIRLINE PART NUMBER	NOMENCLATURE 1234567	EFF CODE	QTY PER ASSY
04-436	BACR15FT6AD		.RIVET- (SIZE DETERMINE ON INST)	D-L, Q-AF, BN-EB	10
438	BACS4OR09C18F		.SHIM	D-K, Q-W, Y-AF, BN-DR	1
-438A	BACS4OR009C018F		.SHIM	L,X,D S-EB	1
440	BACB28AM07B020A		-----*----- ..BUSHING	D-L, Q-AF, BN-DV	1
-440A	BACB28AT08B019C		..BUSHING	DW-EB	1
442	BACB28AP05P019		..BUSHING	D-L, Q-AF, BN-DV	1
-442A	BACB28AP06P019		..BUSHING	DW-EB	1
444	BACR15BA3AD		..RIVET- (SIZE DETERMINE ON INST)	D-L, Q-AF, BN-EB	40
446	BACN10JQ33		..NUTPLATE	D-L, Q-AF, BN-DV	10
-446A	MF19058-3-3BAC		..NUTPLATE- (V15653) (SPEC BACN10YF33)	DW-EB	10
448	BACN10JQ34		..NUTPLATE	D-L, Q-AF, BN-DV	8

**57-43-55**

ILLUSTRATED PARTS LIST  
01.1 Page 1062E  
Nov 01/00



FIG. & ITEM	PART NO.	AIRLINE PART NUMBER	NOMENCLATURE 1234567	EFF CODE	QTY PER ASSY
04- -448A	MF19058-3-4BAC		..NUTPLATE- (V15653) (SPEC BACN10YF34)	DW-EB	8
450	NS103225-02		..NUTPLATE- (V80539) (SPEC BACN10KH3) (OPT RMF9209M3 (V72962)) (OPT F29779-3 (V15653))	D-L, Q-AF, BN-EB	2
452	NAS1195DD3KH		..SHIM	D-L, Q-AF, BN-DV	4
454	114T4607-23		..RIB	D-L,Y ,Z,AC ,AE,B N-CP, DS,DT	1
-454A	114T4607-15		DELETED		
-454B	114T4607-403		..RIB	DW,DY ,DZ	1
-456	114T4607-24		..RIB	Q-X,A A,AB, AD,AF ,CQ-D R,DU DVDU	1
-456A	114T4607-16		DELETED		
-456B	114T4607-404		..RIB	DX,EA ,EB	1
458	114T4518-5		.RIB ASSY-AUX (VARIABLE)	D,BN, BP	1
-458A	114T4518-9		.RIB ASSY-AUX	E,G-L ,Y,Z, AC,AE ,BQ,B R BU-CP ,DS,D T	1
-458B	114T4518-13		.RIB ASSY-AUX	F,BS, BT	1
-458C	114T4518-401		.RIB ASSY-AUX	DW,DY ,DZ	1

# 57-43-55

 ILLUSTRATED PARTS LIST  
 01.1 Page 1062F  
 Nov 01/00

 **BOEING**  
COMPONENT  
MAINTENANCE MANUAL

FIG. & ITEM	PART NO.	AIRLINE PART NUMBER	NOMENCLATURE 1234567	EFF CODE	QTY PER ASSY
04- -460	114T4518-6		.RIB ASSY-AUX (VARIABLE)	Q,CQ, CR	1
-460A	114T4518-10		.RIB ASSY-AUX	R,T-X ,AA,A B,AD, AF,CS ,CT CW-DR ,DU,D V	1
-460B	114T4518-14		.RIB ASSY-AUX	S,CU, CV	1
-460C	114T4518-402		.RIB ASSY-AUX	DX,EA ,EB	1
462	BACB30NW5K		ATTACHING PARTS .BOLT- (SIZE DETERMINE ON INST)	D-L, Q-AF, BN-EB	2
464	BACB30NT3K6		.BOLT	D-L, Q-AF, BN-EB	2
466	AN960PD10		.WASHER	D-K, Q-W, Y-AF, BN-DR	1
-466A	NAS1149D0363J		.WASHER	L,X,D S-EB	1
468	BACW10P43AL		.WASHER	D-L, Q-AF, BN-EB	1

**57-43-55**

ILLUSTRATED PARTS LIST  
01.1 Page 1062G  
Nov 01/00

FIG. & ITEM	PART NO.	AIRLINE PART NUMBER	NOMENCLATURE 1234567	EFF CODE	QTY PER ASSY
04-470	H10-3BAC		.NUT- (V15653) (SPEC BACN10JC3) (OPT NS202101-02 (V80539)) (OPT RMLH9075-3W (V72962)) (OPT T6S1032J (V71087)) (OPT VN303A02 (V92215)) (OPT 96-02 (V80539)) (OPT BRH10A3 (V52828))	D-K, Q-W, Y-AF, BN-DR	2
-470A	BACN10JC3CD		.NUT	L,X,D S-EB	2
472	HL70-5		.COLLAR- (V56878) (SPEC BACC30M5) (OPT HL70-5 (V73197)) (OPT HL70-5 (V92215)) (OPT 66014-5 (V56878)) (OPT HL79-5 (V5M902))	D-L, Q-AF, BN-EB	2
474	BACB30MY6K		.BOLT- (SIZE DETERMINE ON INST)	D-L, Q-AF, BN-EB	1
476	BACB30NW6K		.BOLT- (SIZE DETERMINE ON INST)	D-L, Q-AF, BN-EB	6

# 57-43-55

 ILLUSTRATED PARTS LIST  
 01.1 Page 1062H  
 Nov 01/00

 **BOEING**  
COMPONENT  
MAINTENANCE MANUAL

FIG. & ITEM	PART NO.	AIRLINE PART NUMBER	NOMENCLATURE 1234567	EFF CODE	QTY PER ASSY
04-478	HL79-6		.COLLAR- (V56878) (SPEC BACC30M6) (OPT HL79-6 (V73197)) (OPT HL79-6 (V92215)) (OPT 66014-6 (V56878)) (OPT HL79-6 (V5M902))	D-L, Q-AF, BN-EB	7
480	BACR15FT6AD		.RIVET- (SIZE DETERMINE ON INST)	D-L, Q-AF, BN-EB	5
482	BACS40R14C09F		.SHIM	D-K, Q-W, Y-AF, BN-DR	1
-482A	BACS40R014C009F		.SHIM	L,X,D S-EB	1
484	012T2400-45		-----*----- ..BUSHING	D-L, Q-AF, BN-EB	2

**57-43-55**

ILLUSTRATED PARTS LIST  
01.1 Page 1062I  
Nov 01/00

FIG. & ITEM	PART NO.	AIRLINE PART NUMBER	NOMENCLATURE 1234567	EFF CODE	QTY PER ASSY
04-486	HL441N5-3		..BOLT- (V56878) (SPEC BACB30FN5A3N) (OPT HL441N5-3 (V73197)) (OPT HL441N5-3 (V92215)) (OPT HL441N5-3 (V97928)) (OPT HL441N5-3 (V08524)) (OPT HL19-5A3N (V06725)) (OPT L839-5A3N (V06725)) (OPT ITEM 488)	D-L, Q-AF, BN-DV	4
-486A	HL441N5-3		..BOLT- (V56878) (SPEC BACB30FN5A3N) (OPT HL441N5-3 (V73197)) (OPT HL441N5-3 (V92215)) (OPT HL441N5-3 (V97928)) (OPT HL441N5-3 (V08524)) (OPT HL19-5A3N (V06725)) (OPT L839-5A3N (V06725))	DW-EB	4

**57-43-55**

ILLUSTRATED PARTS LIST  
01.1 Page 1062J  
Nov 01/00

 **BOEING**  
COMPONENT  
MAINTENANCE MANUAL

FIG. & ITEM	PART NO.	AIRLINE PART NUMBER	NOMENCLATURE 1234567	EFF CODE	QTY PER ASSY
04- -488	HL441UC5-3		..BOLT- (V56878) (SPEC BACB30FN5A3) (OPT HL441UC5-3 (V73197)) (OPT HL441UC5-3 (V92215)) (OPT HL441UC5-3 (V97928)) (OPT HL41PY5-3 (V80539)) (OPT HL441N5-3 (V80539)) (OPT HL441UC5-3 (V80539)) (OPT 67068-5A3 (V56878)) (OPT 67068-5A3 (V56878)) (OPT HL19-5A3 (V06725)) (OPT L839-5A3 (V06725)) (OPT ITEM 486)	D-L, Q-AF, BN-DV	4
490	AN960PD8L		..WASHER	D-L, Q-AF, BN-DV	4
-490A	NAS1149DN816J		..WASHER	DW-EB	4
492	H10-08BAC		..NUT- (V15653) (SPEC BACN10JC08) (OPT NS202101-82 (V80539)) (OPT RMLH9075-82W (V72962)) (OPT T6S832J (V71087)) (OPT VN303A82 (V92215)) (OPT 96-82 (V80539)) (OPT BRH10A08 (V52828)) (OPT ITEM 494)	D-L, Q-AF, BN-DV	4
-492A	BACN10JC08CD		..NUT	DW-EB	4

57-43-55

FIG. & ITEM	PART NO.	AIRLINE PART NUMBER	NOMENCLATURE 1234567	EFF CODE	QTY PER ASSY
04-494	BACN10JC08CD		..NUT- (OPT ITEM 492)	D-L, Q-AF, BN-DV	4
496	114T4149-1		..PLATE-RUB	D-L, Q-AF, BN-EB	1
498	114T4149-2		..PLATE-RUB	D-L, Q-AF, BN-EB	1
500	114T4518-7		..RIB	D,F,B N,BP, BS,BT	1
-500A	114T4518-11		..RIB	E,G-L ,Y,Z, AC,AE ,BQ,B R BU-CP ,DS,D T	1
-500B	114T4518-403		..RIB	DW,DY ,DZ	1
-502	114T4518-8		..RIB	Q,S,C Q,CR, CU,CV	1
-502A	114T4518-12		..RIB	R,T-X ,AA,A B,AD, AF,CS ,CT CW-DR ,DU,D V	1
-502B	114T4518-404		..RIB	DX,EA ,EB	1

# 57-43-55

 ILLUSTRATED PARTS LIST  
 01.1 Page 1062L  
 Nov 01/00

 **BOEING**  
COMPONENT  
MAINTENANCE MANUAL

FIG. & ITEM	PART NO.	AIRLINE PART NUMBER	NOMENCLATURE 1234567	EFF CODE	QTY PER ASSY
04-504	114T4519-5		.RIB ASSY-AUX (VARIABLE)	D,BN, BP	1
-504A	114T4519-9		.RIB ASSY-AUX	E,G-L ,Y,Z, AC,AE ,BQ,B R BU-CP ,DS,D T	1
-504B	114T4519-13		.RIB ASSY-AUX	F,BS, BT	1
-504C	114T4519-401		.RIB ASSY-AUX	DW,DY ,DZ	1
-506	114T4519-6		.RIB ASSY-AUX (VARIABLE)	Q,CQ, CR	1
-506A	114T4519-10		.RIB ASSY-AUX	R,T-X ,AA,A B,AD, AF,CS ,CT CW-DR ,DU,D V	1
-506B	114T4519-14		.RIB ASSY-AUX	S,CU, CV	1
-506C	114T4519-402		.RIB ASSY-AUX	DX,EA ,EB	1
			ATTACHING PARTS		

**57-43-55**

ILLUSTRATED PARTS LIST  
01.1 Page 1062M  
Nov 01/00



FIG. & ITEM	PART NO.	AIRLINE PART NUMBER	NOMENCLATURE 1234567	EFF CODE	QTY PER ASSY
04-508	BACB30NW5K		.BOLT- (SIZE DETERMINE ON INST)	D-L, Q-AF, BN-EB	2
510	BACB30NT3K6		.BOLT	D-L, Q-AF, BN-EB	2
512	AN960PD10		.WASHER	D-K, Q-W, Y-AF, BN-DR	1
-512A	NAS1149D0363J		.WASHER	L,X,D S-EB	1
514	BACW10P43AL		.WASHER	D-L, Q-AF, BN-EB	1
516	H10-3BAC		.NUT- (V15653) (SPEC BACN10JC3) (OPT NS202101-02 (V80539)) (OPT RMLH9075-3W (V72962)) (OPT T6S1032J (V71087)) (OPT VN303A02 (V92215)) (OPT 96-02 (V80539)) (OPT BRH10A3 (V52828))	D-K, Q-W, Y-AF, BN-DR	2
-516A	BACN10JC3CD		.NUT	L,X,D S-EB	2

# 57-43-55

 ILLUSTRATED PARTS LIST  
 01.1 Page 1062N  
 Nov 01/00

**BOEING**  
COMPONENT  
MAINTENANCE MANUAL

FIG. & ITEM	PART NO.	AIRLINE PART NUMBER	NOMENCLATURE 1234567	EFF CODE	QTY PER ASSY
04-518	HL70-5		.COLLAR- (V56878) (SPEC BACC30M5) (OPT HL70-5 (V73197)) (OPT HL70-5 (V92215)) (OPT 66014-5 (V56878)) (OPT HL79-5 (V5M902))	D-L, Q-AF, BN-EB	2
520	BACB30MY6K		.BOLT- (SIZE DETERMINE ON INST)	D-L, Q-AF, BN-EB	1
522	BACB30NW6K		.BOLT- (SIZE DETERMINE ON INST)	D-L, Q-AF, BN-EB	6
524	HL79-6		.COLLAR- (V56878) (SPEC BACC30M6) (OPT HL79-6 (V73197)) (OPT HL79-6 (V92215)) (OPT 66014-6 (V56878)) (OPT HL79-6 (V5M902))	D-L, Q-AF, BN-EB	7
526	BACR15FT6AD		.RIVET- (SIZE DETERMINE ON INST)	D-L, Q-AF, BN-EB	5
528	BACS40R14C09F		.SHIM	D-K, Q-W, Y-AF, BN-DR	1
-528A	BACS40R014C009F		.SHIM	L,X,D S-EB	1
530	012T2400-45		-----*----- .BUSHING	D-L, Q-AF, BN-EB	2

**57-43-55**

FIG. & ITEM	PART NO.	AIRLINE PART NUMBER	NOMENCLATURE 1234567	EFF CODE	QTY PER ASSY
04-532	HL441N5-3		..BOLT- (V56878) (SPEC BACB30FN5A3N) (OPT HL441N5-3 (V73197)) (OPT HL441N5-3 (V92215)) (OPT HL441N5-3 (V97928)) (OPT HL441N5-3 (V08524)) (OPT HL19-5A3N (V06725)) (OPT L839-5A3N (V06725)) (OPT ITEM 534)	D-L, Q-AF, BN-DV	4
-532A	HL441N5-3		..BOLT- (V56878) (SPEC BACB30FN5A3N) (OPT HL441N5-3 (V73197)) (OPT HL441N5-3 (V92215)) (OPT HL441N5-3 (V97928)) (OPT HL441N5-3 (V08524)) (OPT HL19-5A3N (V06725)) (OPT L839-5A3N (V06725))	DW-EB	4

# 57-43-55

 ILLUSTRATED PARTS LIST  
 01.1 Page 1062P  
 Nov 01/00

 **BOEING**  
COMPONENT  
MAINTENANCE MANUAL

FIG. & ITEM	PART NO.	AIRLINE PART NUMBER	NOMENCLATURE 1234567	EFF CODE	QTY PER ASSY
04- -534	HL441UC5-3		..BOLT- (V56878) (SPEC BACB30FN5A3) (OPT HL441UC5-3 (V73197)) (OPT HL441UC5-3 (V92215)) (OPT HL441UC5-3 (V97928)) (OPT HL41PY5-3 (V80539)) (OPT HL441N5-3 (V80539)) (OPT HL441UC5-3 (V80539)) (OPT 67068-5A3 (V56878)) (OPT 67068-5A3 (V56878)) (OPT HL19-5A3 (V06725)) (OPT L839-5A3 (V06725)) (OPT ITEM 532)	D-L, Q-AF, BN-DV	4
536	AN960PD8L		..WASHER	D-L, Q-AF, BN-DV	4
-536A	NAS1149DN816J		..WASHER	DW-EB	4
538	H10-08BAC		..NUT- (V15653) (SPEC BACN10JC08) (OPT NS202101-82 (V80539)) (OPT RMLH9075-82W (V72962)) (OPT T6S832J (V71087)) (OPT VN303A82 (V92215)) (OPT 96-82 (V80539)) (OPT BRH10A08 (V52828)) (OPT ITEM 540)	D-L, Q-AF, BN-DV	4
-538A	BACN10JC08CD		..NUT	DW-EB	4

**57-43-55**

FIG. & ITEM	PART NO.	AIRLINE PART NUMBER	NOMENCLATURE 1234567	EFF CODE	QTY PER ASSY
04- -540	BACN10JC08CD		..NUT- (OPT ITEM 538)	D-L, Q-AF, BN-DV	4
542	114T4149-1		..PLATE-RUB	D-L, Q-AF, BN-EB	1
544	114T4149-2		..PLATE-RUB	D-L, Q-AF, BN-EB	1
546	114T4149-7		DELETED		
-546A	114T4149-11		DELETED		
546B	114T4519-7		..RIB	D,F,B N,BP, BS,BT	1
-546C	114T4519-11		..RIB	E,G-L ,Y,Z, AC,AE ,BQ,B R BU-CP ,DS,D T	1
-546D	114T4519-403		..RIB	DW,DY ,DZ	1
-548	114T4149-8		DELETED		
-548A	114T4149-12		DELETED		
-548B	114T4519-8		..RIB	Q,S,C Q,CR, CU,CV	1
-548C	114T4519-12		..RIB	R,T-X ,AA,A B,AD, AF,CS ,CT CW-DR ,DU,D V	1
-548D	114T4519-404		..RIB	DX,EA ,EB	1

# 57-43-55

 ILLUSTRATED PARTS LIST  
 01.1 Page 1062R  
 Nov 01/00

 **BOEING**  
COMPONENT  
MAINTENANCE MANUAL

FIG. & ITEM	PART NO.	AIRLINE PART NUMBER	NOMENCLATURE 1234567	EFF CODE	QTY PER ASSY
04- -550	114T4704-9		.RIB ASSY-AIRLOAD (VARIABLE)	D,BN, BP	1
-550A 550B	114T4704-5 114T4704-13		DELETED .RIB ASSY-AIRLOAD	E-L,Y ,Z,AC ,AE,B Q-CP, DS,DT DW,DY ,DZ Q,CQ, CR	1
-552	114T4704-10		.RIB ASSY-AIRLOAD (VARIABLE)	R-X,A A,AB, AD,AF ,CS-D R,DU DV,DX ,EA, EB	1
-552A -552B	114T4704-6 114T4704-14		DELETED .RIB ASSY-AIRLOAD	D-L, Q-AF, BN-EB	8
554	BACR15BA3AD		..RIVET- (SIZE DETERMINE ON INST)	D-L, Q-AF, BN-EB	2
556	BRFM20A3		..NUTPLATE- (V52828) (SPEC BACN10JN3) (OPT MF1000-3BAC (V15653)) (OPT NS103218-02 (V80539)) (OPT RMF9201M3 (V72962)) (OPT VN252A02 (V92215)) (OPT MF1000-3BAC (V15653)) (OPT MF53049-3 (V15653))	D-L, Q-AF, BN-EB	2

**57-43-55**

FIG. & ITEM	PART NO.	AIRLINE PART NUMBER	NOMENCLATURE 1234567	EFF CODE	QTY PER ASSY
04-558	NS103225-02		. .NUTPLATE- (V80539) (SPEC BACN10KH3) (OPT RMF9209M3 (V72962)) (OPT F29779-3 (V15653))	D-L, Q-AF, BN-EB	2
-560	114T4907-9		.RIB ASSY-END (VARIABLE)	D,BN, BP	1
-560A	114T4907-5		DELETED		
-560B	114T4907-13		.RIB ASSY-END	E-L,Y ,Z,AC ,AE,B Q-CP, DS,DT DW,DY ,DZ	1
-562	114T4907-10		.RIB ASSY-END (VARIABLE)	Q,CQ, CR	1
-562A	114T4907-6		DELETED		
-562B	114T4907-14		.RIB ASSY-END	R-X,A A,AB, AD,AF ,CS-D R,DU DV,DX ,EA, EB	1

# 57-43-55

 ILLUSTRATED PARTS LIST  
 01.1 Page 1062T  
 Nov 01/00

 **BOEING**  
COMPONENT  
MAINTENANCE MANUAL

FIG. & ITEM	PART NO.	AIRLINE PART NUMBER	NOMENCLATURE 1234567	EFF CODE	QTY PER ASSY
04-564	BACR15BA3AD		..RIVET- (SIZE DETERMINE ON INST)	D-L, Q-AF, BN-EB	24
566	BRFM20A3		..NUTPLATE- (V52828) (SPEC BACN10JN3) (OPT MF1000-3BAC (V15653)) (OPT NS103218-02 (V80539)) (OPT RMF9201M3 (V72962)) (OPT VN252A02 (V92215)) (OPT MF1000-3BAC (V15653)) (OPT MF53049-3 (V15653))	D-L, Q-AF, BN-EB	5
568	BACN10JQ32		..NUTPLATE	D-L, Q-AF, BN-EB	1
570	BACN10JQ33		..NUTPLATE	D-L, Q-AF, BN-EB	1
572	BACN10JQ34		..NUTPLATE	D-L, Q-AF, BN-EB	2
574	NS103225-02		..NUTPLATE- (V80539) (SPEC BACN10KH3) (OPT RMF9209M3 (V72962)) (OPT F29779-3 (V15653))	D-L, Q-AF, BN-EB	3

**57-43-55**

ILLUSTRATED PARTS LIST  
01.1 Page 1062U  
Nov 01/00



FIG. & ITEM	PART NO.	AIRLINE PART NUMBER	NOMENCLATURE 1234567	EFF CODE	QTY PER ASSY
04- -576	114T4908-9		.RIB ASSY-END (VARIABLE)	D,BN, BP	1
-576A -576B	114T4908-5 114T4908-13		DELETED .RIB ASSY-END	E-L,Y ,Z,AC ,AE,B Q-CP, DS,DT DW,DY ,DZ	1
-578	114T4908-10		.RIB ASSY-END (VARIABLE)	Q,CQ, CR	1
-578A -578B	114T4908-6 114T4908-14		DELETED .RIB ASSY-END	R-X,A A,AB, AD,AF ,CS-D R,DU DV,DX ,EA, EB	1
580	BACR15BA3AD		..RIVET- (SIZE DETERMINE ON INST)	D-L, Q-AF, BN-EB	32
582	BRFM20A3		..NUTPLATE- (V52828) (SPEC BACN10JN3) (OPT MF1000-3BAC (V15653)) (OPT NS103218-02 (V80539)) (OPT RMF9201M3 (V72962)) (OPT VN252A02 (V92215)) (OPT MF1000-3BAC (V15653)) (OPT MF53049-3 (V15653))	D-L, Q-AF, BN-EB	6

# 57-43-55

 ILLUSTRATED PARTS LIST  
 01.1 Page 1062V  
 Nov 01/00

 **BOEING**  
COMPONENT  
MAINTENANCE MANUAL

FIG. & ITEM	PART NO.	AIRLINE PART NUMBER	NOMENCLATURE 1234567	EFF CODE	QTY PER ASSY
04-584	BACN10JQ2		DELETED		
584A	BACN10JQ32		..NUTPLATE	D-L, Q-AF, BN-EB	1
586	BACN10JQ33		..NUTPLATE	D-L, Q-AF, BN-EB	3
588	BACN10JQ34		..NUTPLATE	D-L, Q-AF, BN-EB	3
590	NS103225-02		..NUTPLATE- (V80539) (SPEC BACN10KH3) (OPT RMF9209M3 (V72962)) (OPT F29779-3 (V15653))	D-L, Q-AF, BN-EB	3
600	114T4912-11		.FITTING ASSY	D-L,Y ,Z,AC ,AE,B N-CP, DS,DT DW,DY ,DZ	1
-602	114T4912-12		.FITTING ASSY	Q-X,A A,AB, AD,AF ,CQ-D R,DU DV,DX ,EA, EB	1

**57-43-55**

ILLUSTRATED PARTS LIST  
01.1 Page 1062W  
Nov 01/00

FIG. & ITEM	PART NO.	AIRLINE PART NUMBER	NOMENCLATURE 1234567	EFF CODE	QTY PER ASSY
04-604	114T4912-13		.FITTING ASSY-INSERT	D-L,Y ,Z,AC ,AE,B N-CP, DS,DT DW,DY ,DZ	1
-606	114T4912-14		.FITTING ASSY-INSERT	Q-X,A A,AB, AD,AF ,CQ-D R,DU DV,DX ,EA, EB	1
608	BACR15BA5A		ATTACHING PARTS .RIVET- (SIZE DETERMINE ON INST)	D-L, Q-AF, BN-EB	4
			-----*-----		
-610	114T4200-23		.SEAL INSTL-THRM ANTI-ICING	D-L,Y ,Z,AC ,AE,B N-CP, DS,DT DW,DY ,DZ	1
-612	114T4200-24		.SEAL INSTL-THRM ANTI-ICING	Q-X,A A,AB, AD,AF ,CQ-D R,DU DV,DX ,EA, EB	1

# 57-43-55

 ILLUSTRATED PARTS LIST  
 01.1 Page 1062X  
 Nov 01/00

 **BOEING**  
COMPONENT  
MAINTENANCE MANUAL

FIG. & ITEM	PART NO.	AIRLINE PART NUMBER	NOMENCLATURE 1234567	EFF CODE	QTY PER ASSY
04-614	BACB30NT3K5		..BOLT	D-L, Q-AF, BN-EB	2
616	BACB30NN3K4		..BOLT	D-L, Q-AF, BN-EB	5
618	BACW10P43AL		..WASHER	D-L, Q-AF, BN-EB	7
620	H10-3BAC		..NUT- (V15653) (SPEC BACN10JC3) (OPT NS202101-02 (V80539)) (OPT RMLH9075-3W (V72962)) (OPT T6S1032J (V71087)) (OPT VN303A02 (V92215)) (OPT 96-02 (V80539)) (OPT BRH10A3 (V52828))	D-L, Q-AF, BN-EB	5
622	114T4240-77		..SEAL	D-L,Y ,Z,AC ,AE,B N-CP, DS,DT DW,DY ,DZ	1

**57-43-55**

ILLUSTRATED PARTS LIST  
01.1 Page 1062Y  
Nov 01/00

FIG. & ITEM	PART NO.	AIRLINE PART NUMBER	NOMENCLATURE 1234567	EFF CODE	QTY PER ASSY
04- -624	114T4240-78		..SEAL	Q-X,A A,AB, AD,AF ,CQ-D R,DU DV,DX ,EA, EB	1
626	114T4240-79		..SEAL	D-L,Y ,Z,AC ,AE,B N-CP, DS,DT DW,DY ,DZ	1
-628	114T4240-80		..SEAL	Q-X,A A,AB, AD,AF ,CQ-D R,DU DV,DX ,EA, EB	1
-630	114T4200-5		.SEAL INSTL-THRM ANTI-ICING	D-L,Y ,Z,AC ,AE,B N-CP, DS,DT DW,DY ,DZ	1
-632	114T4200-6		.SEAL INSTL-THRM ANTI-ICING	Q-X,A A,AB, AD,AF ,CQ-D R,DU DV,DX ,EA, EB	1
634	BACB30NT3K4		..BOLT	D-L, Q-AF, BN-EB	14
636	AN960PD10		..WASHER	D-L, Q-AF, BN-EB	1

# 57-43-55

 ILLUSTRATED PARTS LIST  
 01.1 Page 1062Z  
 Nov 01/00

 **BOEING**  
COMPONENT  
MAINTENANCE MANUAL

FIG. & ITEM	PART NO.	AIRLINE PART NUMBER	NOMENCLATURE 1234567	EFF CODE	QTY PER ASSY
04-638	AN960PD10L		..WASHER	D-L, Q-AF, BN-EB	14
640	BACW10P43AL		..WASHER	D-L, Q-AF, BN-EB	8
642	H10-3BAC		..NUT- (V15653) (SPEC BACN10JC3) (OPT NS202101-02 (V80539)) (OPT RMLH9075-3W (V72962)) (OPT T6S1032J (V71087)) (OPT VN303A02 (V92215)) (OPT 96-02 (V80539)) (OPT BRH10A3 (V52828))	D-L, Q-AF, BN-EB	10
644	114T4221-17		..FITTING-ATTACH	D-L,Y ,Z,AC ,AE,B N-CP, DS,DT DW,DY ,DZ	1
-646	114T4221-18		..FITTING-ATTACH	Q-X,A A,AB, AD,AF ,CQ-D R,DU DV,DX ,EA, EB	1

**57-43-55**

ILLUSTRATED PARTS LIST  
01.1 Page 1063  
Nov 01/00

FIG. & ITEM	PART NO.	AIRLINE PART NUMBER	NOMENCLATURE 1234567	EFF CODE	QTY PER ASSY
04-648	114T4221-15		DELETED		
648A	114T4222-15		..RETAINER-SEAL	D-L, Q-AF, BN-EB	1
650	114T4223-39		..SEAL-BLADE	D-L,Y ,Z,AC ,AE,B N-CP, DS,DT DW,DY ,DZ	1
-652	114T4223-40		..SEAL-BLADE	Q-X,A A,AB, AD,AF ,CQ-D R,DU DV,DX ,EA, EB	1
654	114T4221-3		..FITTING-ATTACH	D-L,Y ,Z,AC ,AE,B N-CP, DS,DT DW,DY ,DZ	1
-656	114T4221-4		..FITTING-ATTACH	Q-X,A A,AB, AD,AF ,CQ-D R,DU DV,DX ,EA, EB	1

# 57-43-55

 ILLUSTRATED PARTS LIST  
 01.1 Page 1064  
 Nov 01/00

 **BOEING**  
COMPONENT  
MAINTENANCE MANUAL

FIG. & ITEM	PART NO.	AIRLINE PART NUMBER	NOMENCLATURE 1234567	EFF CODE	QTY PER ASSY
04-658	114T4222-21		..RETAINER	D-L,Y ,Z,AC ,AE,B N-CP, DS,DT DW,DY ,DZ	1
-660	114T4222-22		..RETAINER	Q-X,A A,AB, AD,AF ,CQ-D R,DU DV,DX ,EA, EB	1
662	114T4223-33		..SEAL-BLADE	D-L,Y ,Z,AC ,AE,B N-CP, DS,DT DW,DY ,DZ	1
-664	114T4223-34		..SEAL-BLADE	Q-X,A A,AB, AD,AF ,CQ-D R,DU DV,DX ,EA, EB	1

**57-43-55**

ILLUSTRATED PARTS LIST  
01.1 Page 1064A  
Nov 01/00



FIG. & ITEM	PART NO.	AIRLINE PART NUMBER	NOMENCLATURE 1234567	EFF CODE	QTY PER ASSY
04-666	114T4240-37		..SEAL	D-L,Y ,Z,AC ,AE,B N-CP, DS,DT DW,DY ,DZ	1
-668	114T4240-38		..SEAL	Q-X,A A,AB, AD,AF ,CQ-D R,DU DV,DX ,EA, EB	1
670	114T4240-39		..SEAL	D-L,Y ,Z,AC ,AE,B N-CP, DS,DT DW,DY ,DZ	1
-672	114T4240-40		..SEAL	Q-X,A A,AB, AD,AF ,CQ-D R,DU DV,DX ,EA, EB	1
674	BACR15BB3AD		.RIVET- (SIZE DETERMINE ON INST)	D-L, Q-AF, BN-EB	4
676	MS27253-1		.PLATE	D-L, Q-AF, BN-EB	1

# 57-43-55

 ILLUSTRATED PARTS LIST  
 01.1 Page 1064B  
 Nov 01/00

 **BOEING**  
COMPONENT  
MAINTENANCE MANUAL

FIG. & ITEM	PART NO.	AIRLINE PART NUMBER	NOMENCLATURE 1234567	EFF CODE	QTY PER ASSY
04-678	114T4406-21		.RIB ASSY-TRACK (VARIABLE)	D,BN, BP	1
-678A	114T4406-17		DELETED		
-678B	114T4406-25		.RIB ASSY-TRACK	E-L, Y ,Z, AC ,AE, B Q-CP, DS, DT DW, DY ,DZ	1
-680	114T4406-18		DELETED		
-680A	114T4406-22		.RIB ASSY-TRACK (VARIABLE)	Q, CQ, CR	1
-680B	114T4406-26		.RIB ASSY-TRACK	R-X, A A, AB, AD, AF ,CS-D R, DU DV, DX ,EA, EB	1
682	BACB30NU3K6		ATTACHING PARTS .BOLT	D-K, Q-W, Y-AF, BN-DR	2
-682A	BACB30VF3K6		.BOLT	L, X, D S-EB	2
684	BACB30NU3K5		.BOLT	D-K, Q-W, Y-AF, BN-DR	2
-684A	BACB30VF3K5		.BOLT	L, X, D S-EB	2

57-43-55

ILLUSTRATED PARTS LIST  
01.1 Page 1064C  
Nov 01/00

FIG. & ITEM	PART NO.	AIRLINE PART NUMBER	NOMENCLATURE 1234567	EFF CODE	QTY PER ASSY
04-686	BACB30MY6K5		.BOLT	D-L, Q-AF, BN-EB	4
688	AN960PD10		.WASHER	D-K, Q-W, Y-AF, BN-DR	4
-688A	NAS1149D0363J		.WASHER	L,X,D S-EB	4
690	H10-3BAC		.NUT- (V15653) (SPEC BACN10JC3) (OPT NS202101-02 (V80539)) (OPT RMLH9075-3W (V72962)) (OPT T6S1032J (V71087)) (OPT VN303A02 (V92215)) (OPT 96-02 (V80539)) (OPT BRH10A3 (V52828))	D-K, Q-W, Y-AF, BN-DR	8
-690A	BACN10JC3CD		.NUT	L,X,D S-EB	8
691	HST10AG6-8		.BOLT- (VOPTK6) (SPEC BACB30VT6K8) (OPT HST10AG6-8 (V06725)) (OPT HST10AG6-8 (V56878)) (OPT HST10AG6-8 (V73197))	D-L, Q-AF, BN-EB	2

# 57-43-55

 ILLUSTRATED PARTS LIST  
 01.1 Page 1064D  
 Nov 01/00



**BOEING**  
COMPONENT  
MAINTENANCE MANUAL

FIG. & ITEM	PART NO.	AIRLINE PART NUMBER	NOMENCLATURE 1234567	EFF CODE	QTY PER ASSY
04-692	BACB30MY6K		.BOLT- (SIZE DETERMINE ON INST)	D-L, Q-AF, BN-EB	4
693	HST10AG6-6		.BOLT- (VOPTK6) (SPEC BACB30VT6K6) (OPT HST10AG6-6 (V06725)) (OPT HST10AG6-6 (V56878)) (OPT HST10AG6-6 (V73197))	D-L, Q-AF, BN-EB	4
694	BACB30NW6K		.BOLT- (SIZE DETERMINE ON INST)	D-L, Q-AF, BN-EB	8
695	HST10AG6-5		.BOLT- (VOPTK6) (SPEC BACB30VT6K5) (OPT HST10AG6-5 (V06725)) (OPT HST10AG6-5 (V56878)) (OPT HST10AG6-5 (V73197))	D-L, Q-AF, BN-EB	4
696	HL79-6		.COLLAR- (V56878) (SPEC BACC30M6) (OPT HL79-6 (V73197)) (OPT HL79-6 (V92215)) (OPT 66014-6 (V56878)) (OPT HL79-6 (V5M902))	D-L, Q-AF, BN-EB	12

**57-43-55**

FIG. & ITEM	PART NO.	AIRLINE PART NUMBER	NOMENCLATURE 1234567	EFF CODE	QTY PER ASSY
04-697	HST79CY6		.COLLAR- (V73197) (SPEC BACC30BL6) (OPT HST79-6 (V56878)) (OPT HST79-6 (V92215)) (OPT HST79-6 (V5M902))	D-L, Q-AF, BN-EB	10
698	BACR15FT6AD		DELETED		
700	BACS40R09C25F		.SHIM	D-K, Q-W, Y-AF, BN-DR	1
-700A	BACS40R009C025F		.SHIM	L,X,D S-EB	1
			-----*-----		
702	BACB28AM13B040A		..BUSHING	D-L, Q-AF, BN-EB	1
704	BACB28AP09P039		..BUSHING	D-L, Q-AF, BN-EB	1
706	BACR15BA3AD		..RIVET- (SIZE DETERMINE ON INST)	D-L, Q-AF, BN-EB	44
708	BACN10JQ33		..NUTPLATE	D-L, Q-AF, BN-EB	18
710	NS103225-02		..NUTPLATE- (V80539) (SPEC BACN10KH3) (OPT RMF9209M3 (V72962)) (OPT F29779-3 (V15653))	D-L, Q-AF, BN-EB	4

# 57-43-55

 ILLUSTRATED PARTS LIST  
 01.1 Page 1064F  
 Nov 01/00

 **BOEING**  
COMPONENT  
MAINTENANCE MANUAL

FIG. & ITEM	PART NO.	AIRLINE PART NUMBER	NOMENCLATURE 1234567	EFF CODE	QTY PER ASSY
04-712	NAS1195DD3KH		..SHIM	D-L, Q-AF, BN-EB	2
714	114T4406-23		..RIB	D-L,Y ,Z,AC ,AE,B N-CP, DS,DT DW,DY ,DZ	1
-714A	114T4406-19		DELETED		
-716	114T4406-24		..RIB	Q-X,A A,AB, AD,AF ,CQ-D R,DU DV,DX ,EA, EB	1
-716A	114T4406-20		DELETED		
718	114T4407-21		.RIB ASSY-TRACK (VARIABLE)	D,BN, BP	1
-718A	114T4407-17		DELETED		
-718B	114T4407-25		.RIB ASSY-TRACK	E-L,Y ,Z,AC ,AE,B Q-CP, DS,DT DW,DY ,DZ	1

**57-43-55**

ILLUSTRATED PARTS LIST  
01.1 Page 1064G  
Nov 01/00

FIG. & ITEM	PART NO.	AIRLINE PART NUMBER	NOMENCLATURE 1234567	EFF CODE	QTY PER ASSY
04- -720	114T4407-22		.RIB ASSY-TRACK (VARIABLE)	Q,CQ, CR	1
-720A -720B	114T4407-18 114T4407-26		DELETED .RIB ASSY-TRACK	R-X,A A,AB, AD,AF ,CS-D R,DU DV,DX ,EA, EB	1
722	BACB30NU3K6		ATTACHING PARTS .BOLT	D-K, Q-W, Y-AF, BN-DR	2
-722A	BACB30VF3K6		.BOLT	L,X,D S-EB	2
724	BACB30NU3K5		.BOLT	D-K, Q-W, Y-AF, BN-DR	2
-724A	BACB30VF3K5		.BOLT	L,X,D S-EB	2
726	BACB30MY6K5		.BOLT	D-L, Q-AF, BN-EB	4
728	AN960PD10		.WASHER	D-K, Q-W, Y-AF, BN-DR	4
-728A	NAS1149D0363J		.WASHER	L,X,D S-EB	4

# 57-43-55

 ILLUSTRATED PARTS LIST  
 01.1 Page 1064H  
 Nov 01/00

**BOEING**  
COMPONENT  
MAINTENANCE MANUAL

FIG. & ITEM	PART NO.	AIRLINE PART NUMBER	NOMENCLATURE 1234567	EFF CODE	QTY PER ASSY
04-730	H10-3BAC		.NUT- (V15653) (SPEC BACN10JC3) (OPT NS202101-02 (V80539)) (OPT RMLH9075-3W (V72962)) (OPT T6S1032J (V71087)) (OPT VN303A02 (V92215)) (OPT 96-02 (V80539)) (OPT BRH10A3 (V52828))	D-K, Q-W, Y-AF, BN-DR	8
-730A	BACN10JC3CD		.NUT	L,X,D S-EB	8
732	BACB30MY6K		.BOLT- (SIZE DETERMINE ON INST)	D-L, Q-AF, BN-EB	4
733	HST10AG6-6		.BOLT- (VOPTK6) (SPEC BACB30VT6K6) (OPT HST10AG6-6 (V06725)) (OPT HST10AG6-6 (V56878)) (OPT HST10AG6-6 (V73197))	D-L, Q-AF, BN-EB	6
734	BACB30NW6K		.BOLT- (SIZE DETERMINE ON INST)	D-L, Q-AF, BN-EB	8
735	HST10AG6-5		.BOLT- (VOPTK6) (SPEC BACB30VT6K5) (OPT HST10AG6-5 (V06725)) (OPT HST10AG6-5 (V56878)) (OPT HST10AG6-5 (V73197))	D-L, Q-AF, BN-EB	4

57-43-55

ILLUSTRATED PARTS LIST  
01.1 Page 1064I  
Nov 01/00



FIG. & ITEM	PART NO.	AIRLINE PART NUMBER	NOMENCLATURE 1234567	EFF CODE	QTY PER ASSY
04-736	HL79-6		.COLLAR- (V56878) (SPEC BACC30M6) (OPT HL79-6 (V73197)) (OPT HL79-6 (V92215)) (OPT 66014-6 (V56878)) (OPT HL79-6 (V5M902))	D-L, Q-AF, BN-EB	12
737	HST79CY6		.COLLAR- (V73197) (SPEC BACC30BL6) (OPT HST79-6 (V56878)) (OPT HST79-6 (V92215)) (OPT HST79-6 (V5M902))	D-L, Q-AF, BN-EB	10
738	BACR15FT6AD		DELETED		
740	BACS40R09C25F		.SHIM	D-K, Q-W, Y-AF, BN-DR	1
-740A	BACS40R009C025F		.SHIM	L,X,D S-EB	1
742	BACB28AM13B040A		..BUSHING	D-L, Q-AF, BN-EB	1
744	BACB28AP09P039		..BUSHING	D-L, Q-AF, BN-EB	1
746	BACR15BA3AD		..RIVET- (SIZE DETERMINE ON INST)	D-L, Q-AF, BN-EB	44

# 57-43-55

 ILLUSTRATED PARTS LIST  
 01.1 Page 1064J  
 Nov 01/00

 **BOEING**  
COMPONENT  
MAINTENANCE MANUAL

FIG. & ITEM	PART NO.	AIRLINE PART NUMBER	NOMENCLATURE 1234567	EFF CODE	QTY PER ASSY
04-748	BACN10JQ33		..NUTPLATE	D-L, Q-AF, BN-EB	18
750	NS103225-02		..NUTPLATE- (V80539) (SPEC BACN10KH3) (OPT RMF9209M3 (V72962)) (OPT F29779-3 (V15653))	D-L, Q-AF, BN-EB	4
752	NAS1195DD3KH		..SHIM	D-L, Q-AF, BN-EB	2
754	114T4407-23		..RIB	D-L,Y ,Z,AC ,AE,B N-CP, DS,DT DW,DY ,DZ	1
-754A	114T4407-19		DELETED		
-756	114T4407-24		..RIB	Q-X,A A,AB, AD,AF ,CQ-D R,DU DV,DX ,EA, EB	1

**57-43-55**

ILLUSTRATED PARTS LIST  
01.1 Page 1064K  
Nov 01/00

FIG. & ITEM	PART NO.	AIRLINE PART NUMBER	NOMENCLATURE 1234567	EFF CODE	QTY PER ASSY
04- -756A 758	114T4407-20 BACR15BB4A		DELETED .RIVET- (SIZE DETERMINE ON INST)	D-L, Q-AF, BN-EB	4
760	BACR15CE6KE		.RIVET- (SIZE DETERMINE ON INST)	D-L, Q-AF, BN-EB	123
761	BACR15CE6KE		.RIVET- (SIZE DETERMINE ON INST)	G-L, T-AF, BU-CP ,CW- EB	109
762	BACR15CE5KE		.RIVET- (SIZE DETERMINE ON INST)	D-L, Q-AF, BN-EB	8
763	BACB30NW6K		.BOLT- (SIZE DETERMINE ON INST)	G-L, T-AF, BU-CP ,CW- EB	14
764	BACB30NW6K		.BOLT- (SIZE DETERMINE ON INST)	D-L, Q-AF, BN-EB	8
766	HL79-6		.COLLAR- (V56878) (SPEC BACC30M6) (OPT HL79-6 (V73197)) (OPT HL79-6 (V92215)) (OPT 66014-6 (V56878)) (OPT HL79-6 (V5M902))	D-L, Q-AF, BN-EB	8

# 57-43-55

 ILLUSTRATED PARTS LIST  
 01.1 Page 1064L  
 Nov 01/00

 **BOEING**  
COMPONENT  
MAINTENANCE MANUAL

FIG. & ITEM	PART NO.	AIRLINE PART NUMBER	NOMENCLATURE 1234567	EFF CODE	QTY PER ASSY
04-767	HL79-6		.COLLAR- (V56878) (SPEC BACC30M6) (OPT HL79-6 (V73197)) (OPT HL79-6 (V92215)) (OPT 66014-6 (V56878)) (OPT HL79-6 (V5M902))	G-L, T-AF, BU-CP ,CW- EB	14
768	114T4151-5		.PANEL-LWR CLOSURE	D-L,Y ,Z,AC ,AE,B N-CP, DS,DT DW,DY ,DZ	1
-770	114T4151-6		.PANEL-LWR CLOSURE	Q-X,A A,AB, AD,AF ,CQ-D R,DU DV,DX ,EA, EB	1
772	114T4151-7		.PANEL-LWR CLOSURE	D-L,Y ,Z,AC ,AE,B N-CP, DS,DT DW,DY ,DZ	1

**57-43-55**

ILLUSTRATED PARTS LIST  
01.1 Page 1064M  
Nov 01/00

FIG. & ITEM	PART NO.	AIRLINE PART NUMBER	NOMENCLATURE 1234567	EFF CODE	QTY PER ASSY
04- -774	114T4151-8		.PANEL-LWR CLOSURE	Q-X,A A,AB, AD,AF ,CQ-D R,DU DV,DX ,EA, EB	1
776	BACS12ER3K16		.SCREW	D-F,H ,K,L, Q-S,U ,W-AF BN-BT ,BW- CB,C E-CV, CY-DD DG-EB	2
778	BACB30MY6K5		.BOLT	D-F,H ,K,L, Q-S,U ,W-AF BN-BT ,BW- CB,C E-CV, CY-DD DG-EB	4
780	H10-3BAC		.NUT- (V15653) (SPEC BACN10JC3) (OPT NS202101-02 (V80539)) (OPT RMLH9075-3W (V72962)) (OPT T6S1032J (V71087)) (OPT VN303A02 (V92215)) (OPT 96-02 (V80539)) (OPT BRH10A3 (V52828))	D-F,H ,K, Q-S,U ,W, Y-AF BN-BT ,BW- CB,C E-CV, CY-DD DG-DR	6
-780A	BACN10JC3CD		.NUT	L,X,D S-EB	6

# 57-43-55

 ILLUSTRATED PARTS LIST  
 01.1 Page 1064N  
 Nov 01/00

**BOEING**  
COMPONENT  
MAINTENANCE MANUAL

FIG. & ITEM	PART NO.	AIRLINE PART NUMBER	NOMENCLATURE 1234567	EFF CODE	QTY PER ASSY
04-782	BACR15CE5AD		.RIVET- (SIZE DETERMINE ON INST)	D-F,H ,K,L, Q-S,U ,W-AF BN-BT ,BW- CB,C E-CV, CY-DD DG-EB	4
784	114T4136-1		.FITTING	D-F,H ,K,L, Q-S,U ,W-AF BN-BT ,BW- CB,C E-CV, CY-DD DG-EB	2
786	114T4136-2		.FITTING	D-F,H ,K,L, Q-S,U ,W-AF BN-BT ,BW- CB,C E-CV, CY-DD DG-EB	2
788	114T6415-6		.FITTING-PIVOT	D-F,H ,K,L, Q-S,U ,W-AF BN-BT ,BW- CB,C E-CV, CY-DD DG-EB	4

**57-43-55**

ILLUSTRATED PARTS LIST  
01.1 Page 10640  
Nov 01/00

FIG. & ITEM	PART NO.	AIRLINE PART NUMBER	NOMENCLATURE 1234567	EFF CODE	QTY PER ASSY
04-790	BACB30NU3K3		.BOLT	D-F,H ,K, Q-S,U ,W, Y-AF BN-BT ,BW- CB,C E-CV, CY-DD DG-DR	5
-790A	BACB30VF3K3		.BOLT	L,X,D S-EB	5
792	AN960PD10		.WASHER	D-F,H ,K, Q-S,U ,W, Y-AF BN-BT ,BW- CB,C E-CV, CY-DD DG-DR	5
-792A	NAS1149D0363J		.WASHER	L,X,D S-EB	5
794	H10-3BAC		.NUT- (V15653) (SPEC BACN10JC3) (OPT NS202101-02 (V80539)) (OPT RMLH9075-3W (V72962)) (OPT T6S1032J (V71087)) (OPT VN303A02 (V92215)) (OPT 96-02 (V80539)) (OPT BRH10A3 (V52828))	D-F,H ,K, Q-S,U ,W, Y-AF BN-BT ,BW- CB,C E-CV, CY-DD DG-DR	5
-794A	BACN10JC3CD		.NUT	L,X,D S-EB	5

# 57-43-55

 ILLUSTRATED PARTS LIST  
 01.1 Page 1064P  
 Nov 01/00

**BOEING**  
COMPONENT  
MAINTENANCE MANUAL

FIG. & ITEM	PART NO.	AIRLINE PART NUMBER	NOMENCLATURE 1234567	EFF CODE	QTY PER ASSY
04-796	114T4301-159		.RIB ASSY-NOSE	D-F,H ,K,L, Y,Z,A C,AE, BN-BT BW-CB ,CE-C P,DS, DT,DW ,DY DZY	1
-798	114T4301-160		.RIB ASSY-NOSE	Q-S,U ,W,X, AA,AB ,AD,A F CQ-CV ,CY-D D,D G-DR, DU,DV DX,EA ,EB	1
800	BACR15CE5KE		.RIVET- (SIZE DETERMINE ON INST)	D-F,H ,K,L, Q-S,U ,W-AF BN-BT ,BW- CB,C E-CV, CY-DD DG-EB	6
802	114T4301-155		.RIB ASSY-NOSE	D-F,H ,K,L, Y,Z,A C,AE, BN-BT BW-CB ,CE-C P,DS, DT,DW ,DY DZY	1

**57-43-55**

ILLUSTRATED PARTS LIST  
01.1 Page 1064Q  
Nov 01/00



FIG. & ITEM	PART NO.	AIRLINE PART NUMBER	NOMENCLATURE 1234567	EFF CODE	QTY PER ASSY
04- -804	114T4301-156		.RIB ASSY-NOSE	Q-S,U ,W,X, AA,AB ,AD,A F CQ-CV ,CY-D D,D G-DR, DU,DV DX,EA ,EB	1
806	BACB30NU3K3		.BOLT	D-F,H ,K, Q-S,U ,W, Y-AF BN-BT ,BW- CB,C E-CV, CY-DD DG-DR	5
-806A	BACB30VF3K3		.BOLT	L,X,D S-EB	5
808	AN960PD10		.WASHER	D-F,H ,K, Q-S,U ,W, Y-AF BN-BT ,BW- CB,C E-CV, CY-DD DG-DR	5

# 57-43-55

 ILLUSTRATED PARTS LIST  
 01.1 Page 1064R  
 Nov 01/00

 **BOEING**  
COMPONENT  
MAINTENANCE MANUAL

FIG. & ITEM	PART NO.	AIRLINE PART NUMBER	NOMENCLATURE 1234567	EFF CODE	QTY PER ASSY
04- -808A	NAS1149D0363J		.WASHER	L,X,D S-EB	5
810	H10-3BAC		.NUT- (V15653) (SPEC BACN10JC3) (OPT NS202101-02 (V80539)) (OPT RMLH9075-3W (V72962)) (OPT T6S1032J (V71087)) (OPT VN303A02 (V92215)) (OPT 96-02 (V80539)) (OPT BRH10A3 (V52828))	D-F,H ,K, Q-S,U ,W, Y-AF BN-BT ,BW- CB,C E-CV, CY-DD DG-DR	5
-810A	BACN10JC3CD		.NUT	L,X,D S-EB	5
812	114T4301-153		.RIB ASSY-NOSE	D-F,H ,K,L, Y,Z,A C,AE, BN-BT BW-CB ,CE-C P,DS, DT,DW ,DY DZY	1

**57-43-55**

ILLUSTRATED PARTS LIST  
01.1 Page 1064S  
Nov 01/00

FIG. & ITEM	PART NO.	AIRLINE PART NUMBER	NOMENCLATURE 1234567	EFF CODE	QTY PER ASSY
04- -814	114T4301-154		.RIB ASSY-NOSE	Q-S,U ,W,X, AA,AB ,AD,A F CQ-CV ,CY-D D,D G-DR, DU,DV DX,EA ,EB D-J, Q-V,Y ,AA,B N-CD, CG,CH CQ-DF ,DJ,D K	1
960	114T4180-44		DELETED		
-960A	114T4180-54		DELETED		
-960B	114T4180-24		DELETED		
-960C	114T4180-34		DELETED		
-960D	114T4180-54		DELETED		
965	ADB9V301NC		DELETED		
970	114T4180-49		DELETED		
-970A	114T4180-29		DELETED		
-970B	114T4180-39		DELETED		

- Item Not Illustrated

# 57-43-55

 ILLUSTRATED PARTS LIST  
 01.1 Page 1064T  
 Nov 01/00